



HIGH PRESSURE DIAPHRAGM PUMPS

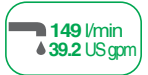


# APS 145

4 Diaphragm



50 bar  
725 psi

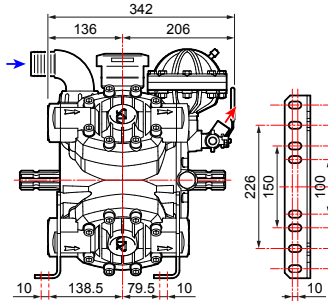
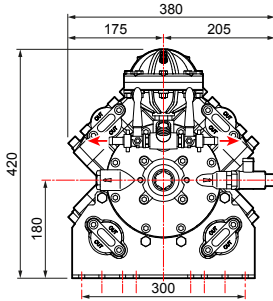


149 l/min  
39.2 US gpm



Suction  
 Ø 45

Delivery  
 2 x Ø 10  
 1 x G 3/4" M



## AVAILABLE MODELS

### APS 145

1 3/8" Male 6 Splined Shaft on Both Sides  
 Adjustable Regulator  
 1/2" Outlet, 1" Bypass



## ACCESSORIES & REPAIR KITS

Comet Oil



8102.1801.00

ALFA 2 Regulator



1204.1801.00

ORION 2 Regulator



1204.1701.00

VRS Regulator



1215.0287.00

Shaft Protector



2416.0307.00

Rebuild Kit



NBR: 5026.0080.00

	0 bar - 0 p.s.i.				20 bar - 290 p.s.i.				30 bar - 435 p.s.i.				40 bar - 580 p.s.i.				50 bar - 725 p.s.i.						
	RPM	l/min	U.S.g.p.m.	HP	kW	l/min	U.S.g.p.m.	HP	kW	l/min	U.S.g.p.m.	HP	kW	l/min	U.S.g.p.m.	HP	kW	l/min	U.S.g.p.m.	HP	kW	kg	lb
	400	112	29.6	1.1	0.8	109	28.8	6.7	4.9	108	28.5	8.7	6.4	107	28.2	11.0	8.1	106	27.9	13.4	9.9	46	101
	450	125	33.0	1.3	1.0	122	32.3	6.9	5.1	121	32.0	9.7	7.1	120	31.8	12.4	9.1	119	31.5	15.0	11.0		
	500	138	36.5	1.4	1.0	135	35.7	7.6	5.6	134	35.4	10.8	7.9	133	35.1	13.7	10.1	132	34.8	16.6	12.2		
	550	149	39.2	1.5	1.1	145	38.4	8.2	6.0	144	38.1	11.6	8.5	143	37.7	14.7	10.8	142	37.5	18.0	13.2		