

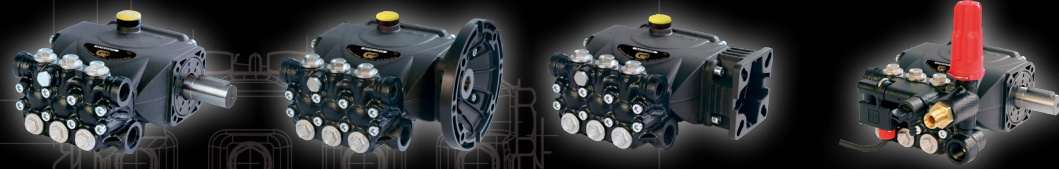
Evolution ET Series From General Pump

Our Mission

To be the best fluid control device company worldwide, providing our customers with superior and innovative products, coupled with a level of service that exceeds customer expectations.

At General Pump, "We'll Find A Way!"

ET Pumps offer robust, heavy-duty performance in a compact design! Flows up to 3.4 GPM Pressures up to 4,500 PSI

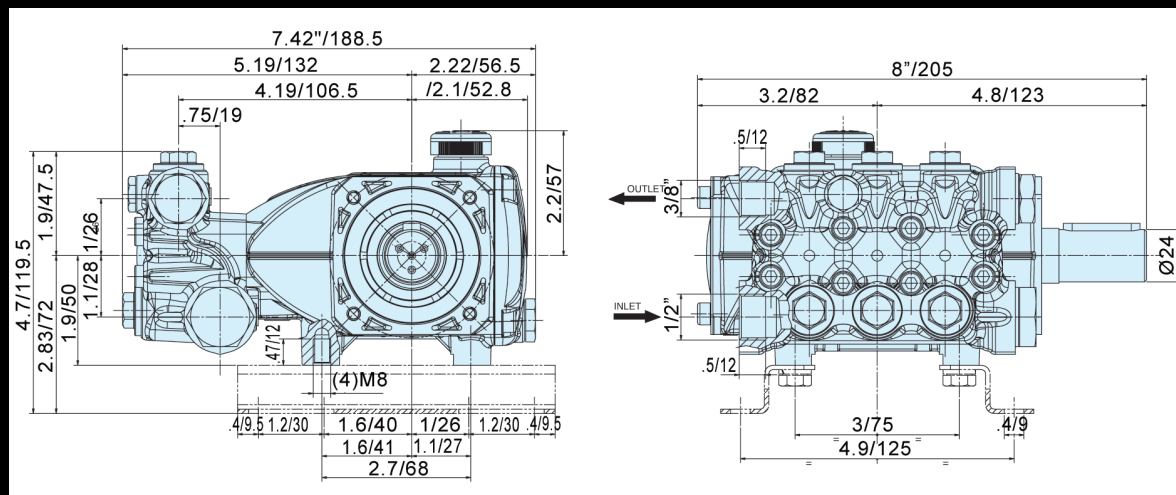


SOLID SHAFT				
MODEL	FLOW	PRESSURE	RPM	EBHP
ET1509S17	2.1 GPM	2,610 PSI	1750	3.7
ET1807S17	2.4 GPM	2,320 PSI	1750	3.7
ET1511S17	2.6 GPM	2,610 PSI	1750	4.7
ET1512S17	2.9 GPM	2,610 PSI	1750	5.1
ET1809S17	3.2 GPM	2,320 PSI	1750	5.0
ET1810S17	3.4 GPM	2,320 PSI	1750	5.4
ET1811S17	3.7 GPM	2,320 PSI	1750	5.8
ET1505S34	2.1 GPM	2,610 PSI	3400	3.7
ET1506S34	2.6 GPM	2,610 PSI	3400	4.7
ET1507S34	3.2 GPM	2,610 PSI	3400	5.6
ET1508S34	3.4 GPM	2,610 PSI	3400	6.1
ET1305S34	1.6 GPM	4,450 PSI	3400	4.8
ET1306S34	1.8 GPM	4,450 PSI	3400	5.6
ET1307S34	2.1 GPM	4,450 PSI	3400	6.4
ET1308S34	2.4 GPM	4,450 PSI	3400	7.2
ET1309S34	2.6 GPM	4,450 PSI	3400	8.1
ET1310S34	2.9 GPM	4,450 PSI	3400	8.9
ET1311S34	3.2 GPM	4,450 PSI	3400	9.7
ET1312S34	3.4 GPM	4,450 PSI	3400	10.5

5/8" HOLLOW SHAFT - FLANGED FOR ELECTRIC				
MODEL	FLOW	PRESSURE	RPM	EBHP
ET1509E17	2.1 GPM	2,610 PSI	1750	3.7
ET1807E17	2.4 GPM	2,320 PSI	1750	3.7
ET1809E17	3.2 GPM	2,320 PSI	1750	5.0
ET1504E34	1.85 GPM	2,610 PSI	3400	3.6
ET1505E34	2.1 GPM	2,610 PSI	3400	3.7
ET1506E34	2.9 GPM	2,610 PSI	3400	5.1
ET1507E34	3.2 GPM	2,610 PSI	3400	5.6

3/4" HOLLOW SHAFT- FLANGED FOR GAS				
MODEL	FLOW	PRESSURE	RPM	GHP
ET1505G6	2.1 GPM	2,610 PSI	3400	3.7
ET1506G6	2.9 GPM	2,610 PSI	3400	5.1
ET1507G6	3.2 GPM	2,610 PSI	3400	5.6
ET1508G6	3.4 GPM	2,610 PSI	3400	6.1

5/8" HOLLOW SHAFT- WITH TOTAL START-STOP				
MODEL	FLOW	PRESSURE	RPM	EBHP
ET1509E17UTS	2.1 GPM	2,610 PSI	1700	3.7
ET1305E34UTS	1.6 GPM	4,450 PSI	3400	4.9
ET1504E34UTS	2.0 GPM	2,610 PSI	3400	6.6
ET1504E34UTSL	2.0 GPM	2,610 PSI	3400	3.6
ET1505E34UTSL	2.1 GPM	2,610 PSI	3400	3.8
ET1506E34UTSL	2.9 GPM	2,610 PSI	3400	5.2



EVOLUTION ET SERIES

ISO 9001:2015 CERTIFIED



The Big Evolution

GP Companies, Inc.
1174 Northland Drive
Mendota Heights, MN 55120 USA
Phone: 651.454.6500 • Fax: 651.454.8015
Toll Free: 888.474.5487
www.generalpump.com
email: sales@gpcompanies.com



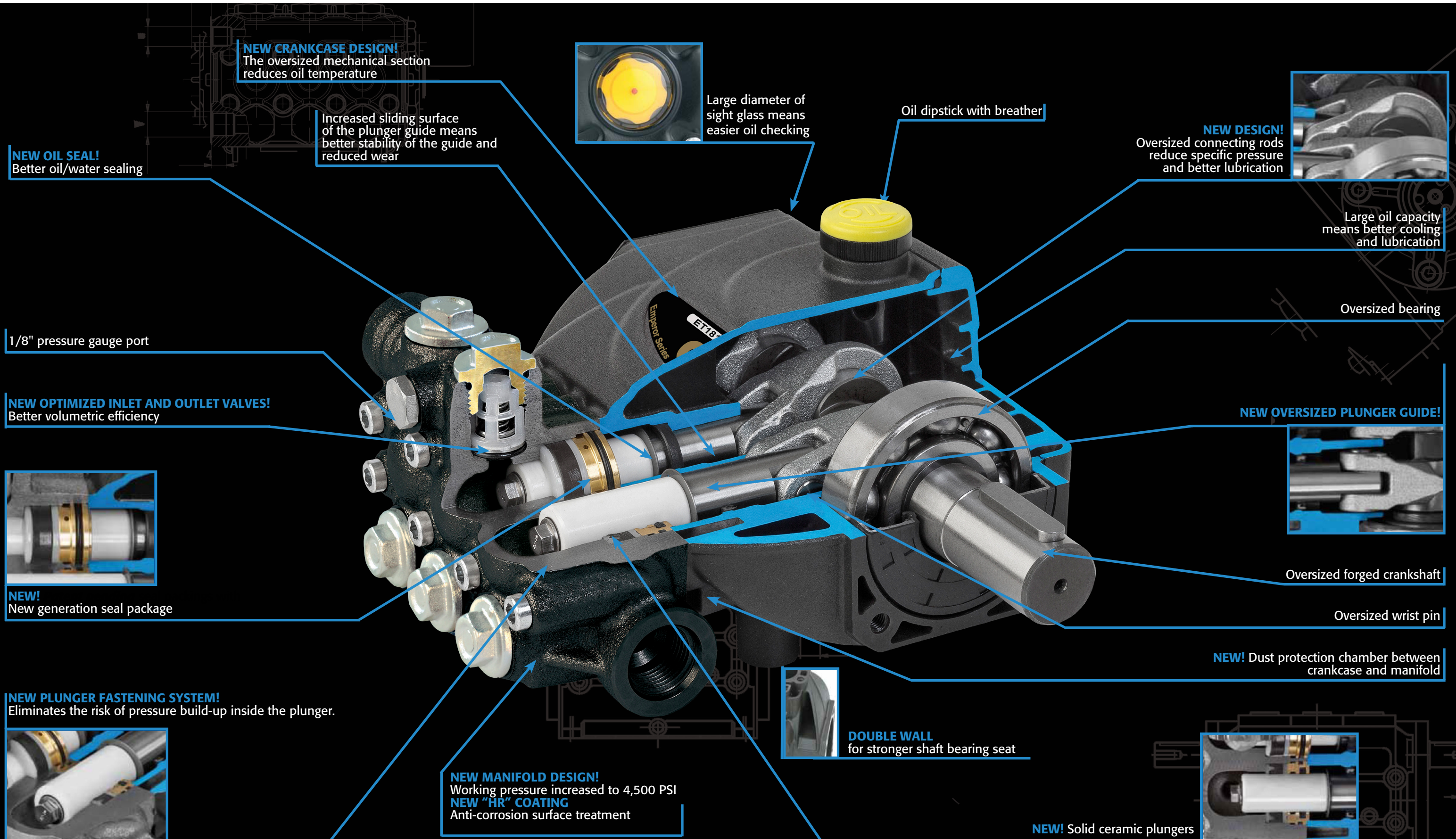
General Pump is part of the Interpump Group

© GP Companies, Inc. 2020 Rev. C

Distributed By



EVOLUTION ET SERIES



NEW CRANKCASE DESIGN!
The oversized mechanical section reduces oil temperature

Increased sliding surface of the plunger guide means better stability of the guide and reduced wear



Large diameter of sight glass means easier oil checking

Oil dipstick with breather

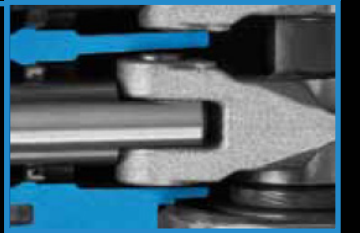


NEW DESIGN!
Oversized connecting rods reduce specific pressure and better lubrication

Large oil capacity means better cooling and lubrication

Oversized bearing

NEW OVERSIZED PLUNGER GUIDE!



Oversized forged crankshaft

Oversized wrist pin

NEW! Dust protection chamber between crankcase and manifold

DOUBLE WALL
for stronger shaft bearing seat



NEW MANIFOLD DESIGN!
Working pressure increased to 4,500 PSI
NEW "HR" COATING
Anti-corrosion surface treatment

NEW! Solid ceramic plungers



NEW OIL SEAL!
Better oil/water sealing

1/8" pressure gauge port

NEW OPTIMIZED INLET AND OUTLET VALVES!
Better volumetric efficiency



NEW!
New generation seal package

NEW PLUNGER FASTENING SYSTEM!
Eliminates the risk of pressure build-up inside the plunger.



These Pumps are 100% Made in Italy

These Pumps are 100% Made in Italy