

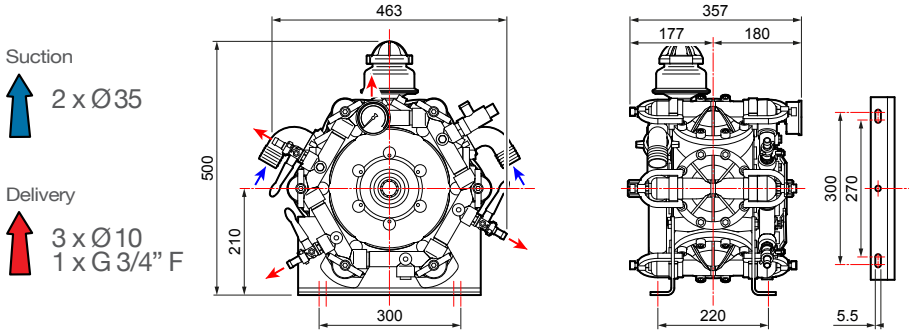


HIGH PRESSURE DIAPHRAGM PUMPS



# IDS 2200

6 Diaphragm



## AVAILABLE MODELS

### IDS 2200

- 1 3/8" Male 6 Splined Shaft on Boths Sides
- Adjustable Regulator
- 1" Bypass



## ACCESSORIES & REPAIR KITS

### Comet Oil



8102.1801.00

### ALFA 2 Regulator



1204.1801.00

### ORION 2 Regulator



1204.1701.00

### VRS Regulator



1215.0287.00

### Shaft Protector



2416.0306.00

### Rebuild Kit



NBR: 5026.0097.00

RPM	0 bar - 0 p.s.i.				20 bar - 290 p.s.i.				30 bar - 435 p.s.i.				40 bar - 580 p.s.i.				50 bar - 725 p.s.i.				kg	lb
	l/min	U.S.g.p.m.	HP	kW	l/min	U.S.g.p.m.	HP	kW	l/min	U.S.g.p.m.	HP	kW	l/min	U.S.g.p.m.	HP	kW	l/min	U.S.g.p.m.	HP	kW		
400	171	45.2	1.8	1.3	166	43.9	9.4	6.9	165	43.6	13.2	9.7	162	42.8	16.7	12.3	158	41.7	19.9	14.6	76	168
450	191	50.5	2.0	1.5	185	48.9	10.5	7.7	184	48.6	14.7	10.8	183	48.3	18.9	13.9	179	47.3	22.6	16.6		
500	206	54.4	2.1	1.5	201	53.1	11.4	8.4	199	52.6	15.9	11.7	199	52.6	20.5	15.1	197	52.0	24.9	18.3		
550	216	57.1	2.2	1.6	210	55.5	11.9	8.8	208	54.9	16.7	12.3	208	54.9	21.5	15.8	208	54.9	26.2	19.3		