

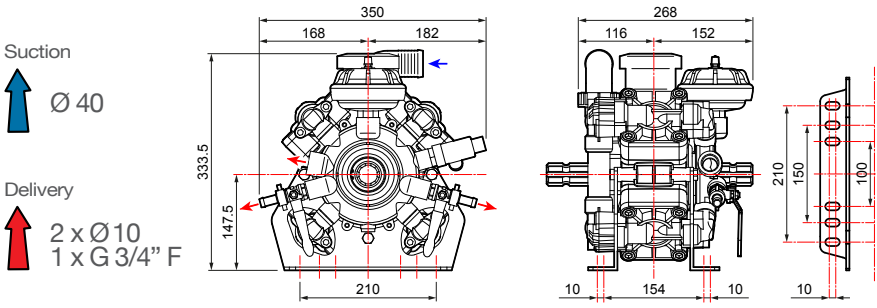


HIGH PRESSURE DIAPHRAGM PUMPS



IDS 960

4 Diaphragm



Suction
 Ø 40

Delivery
 2 x Ø 10
 1 x G 3/4" F



AVAILABLE MODELS

IDS 960

1 3/8" Male 6 Splined Shaft on Both Sides

IDS 960 P

12" 3B Groove Pulley



ACCESSORIES & REPAIR KITS

Comet Oil



8102.1801.00

ALFA 2 Regulator



1204.1801.00

ORION 2 Regulator



1204.1701.00

VRS Regulator



1215.0287.00

Shaft Protector



2416.0308.00

Rebuild Kit



NBR: 5026.0346.00

RPM	0 bar - 0 p.s.i.				20 bar - 290 p.s.i.				30 bar - 435 p.s.i.				40 bar - 580 p.s.i.				50 bar - 725 p.s.i.				kg lb	
	l/min	U.S.g.p.m.	HP	kW	l/min	U.S.g.p.m.	HP	kW	l/min	U.S.g.p.m.	HP	kW	l/min	U.S.g.p.m.	HP	kW	l/min	U.S.g.p.m.	HP	kW		
400	73	19.2	0.7	0.5	71	18.8	3.6	2.6	70	18.6	5.3	3.9	70	18.6	6.8	5.0	70	18.4	8.3	6.1	30.3	66.6
450	82	21.6	0.8	0.6	80	21.1	4.1	3.0	79	20.9	5.9	4.3	78	20.7	7.9	5.8	78	20.7	9.3	6.9		
500	90	23.7	1.1	0.8	89	23.5	4.7	3.4	88	23.2	6.7	4.9	87	23.0	8.8	6.4	86	22.7	10.7	7.9		
550	94	24.7	1.8	1.3	94	24.7	4.9	3.6	93	24.5	7.1	5.2	93	24.5	9.2	6.8	93	24.5	11.5	8.5		