



LOW PRESSURE DIAPHRAGM PUMPS

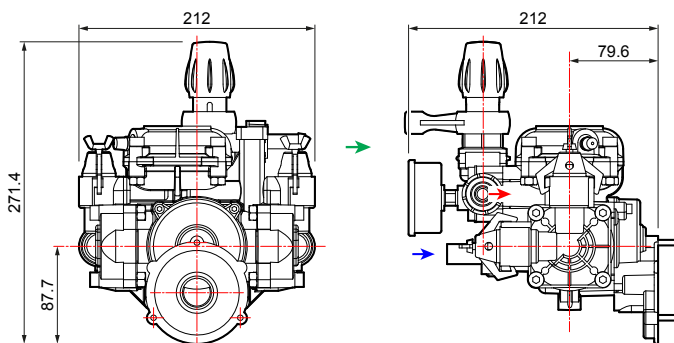


# MC25

2 Diaphragm



Suction  
 Ø 18  
 Delivery  
 Ø 10  
 By-pass  
 Ø 13



## AVAILABLE MODELS

### MC 25-34

3/4" Solid Keyed Shaft

### MC 25 P

10" 2A Groove Pulley Adjustable Regulator

### MC 25 GR

3/4" Hydraulic Drive Adjustable Regulator 1/2" Outlet, 3/8" ByPass



## ACCESSORIES & REPAIR KITS

### Comet Oil



8102.1801.00

### Hydra Regulator



1204.0674.00

### Pulley Kit



5001.0069.00

### PTO Adapter



5033.0044.00

### Rebuild Kits



NBR: 5028.0116.00  
Desmopan: 5026.0116.00.DS

	0 bar - 0 p.s.i.				5 bar - 72 p.s.i.				10 bar - 145 p.s.i.				15 bar - 217 p.s.i.				20 bar - 290 p.s.i.				25 bar - 362 p.s.i.						
	RPM	l/min	U.S.g.p.m.	HP	kW	l/min	U.S.g.p.m.	HP	kW	l/min	U.S.g.p.m.	HP	kW	l/min	U.S.g.p.m.	HP	kW	l/min	U.S.g.p.m.	HP	kW	l/min	U.S.g.p.m.	HP	kW	kg	lb
	400	13.5	3.6	0.12	0.09	11.4	3.0	0.18	0.13	11.2	3.0	0.36	0.26	11.1	2.9	0.54	0.40	11.0	2.9	0.71	0.52	11.0	2.9	0.89	0.65	4.7	10.4
	500	16.3	4.3	0.15	0.11	14.3	3.8	0.23	0.17	14.1	3.7	0.46	0.34	14.0	3.7	0.68	0.50	13.8	3.6	0.89	0.66	13.8	3.6	1.11	0.82		
	600	20.2	5.3	0.18	0.13	17.5	4.6	0.28	0.21	17.1	4.5	0.55	0.40	16.9	4.5	0.82	0.60	16.7	4.4	1.08	0.79	16.7	4.4	1.35	0.99		
	650	23.0	6.1	0.20	0.15	19.5	5.2	0.32	0.24	19.1	5.0	0.62	0.46	18.8	5.0	0.91	0.67	18.5	4.9	1.20	0.88	18.5	4.9	1.50	1.10		