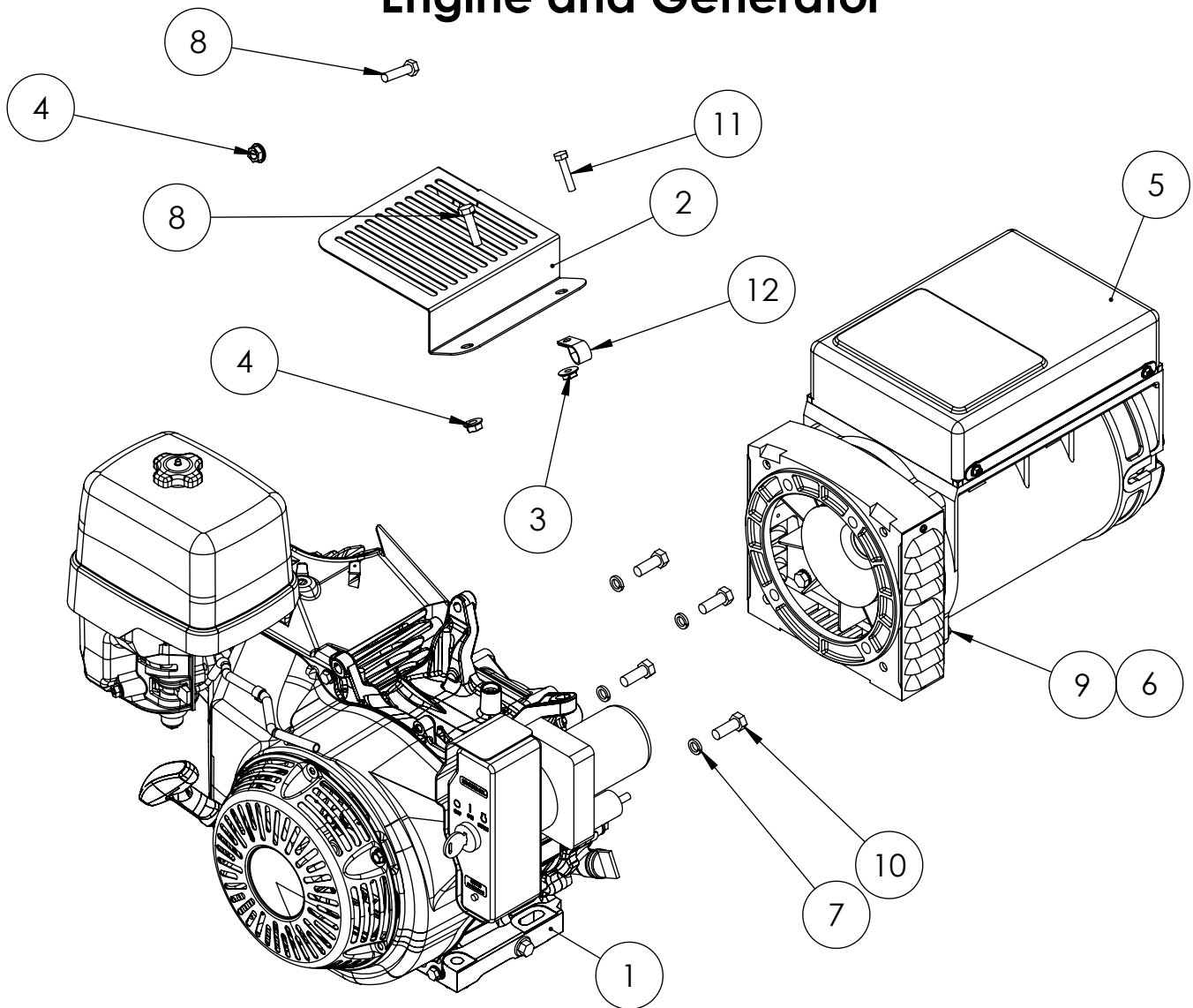


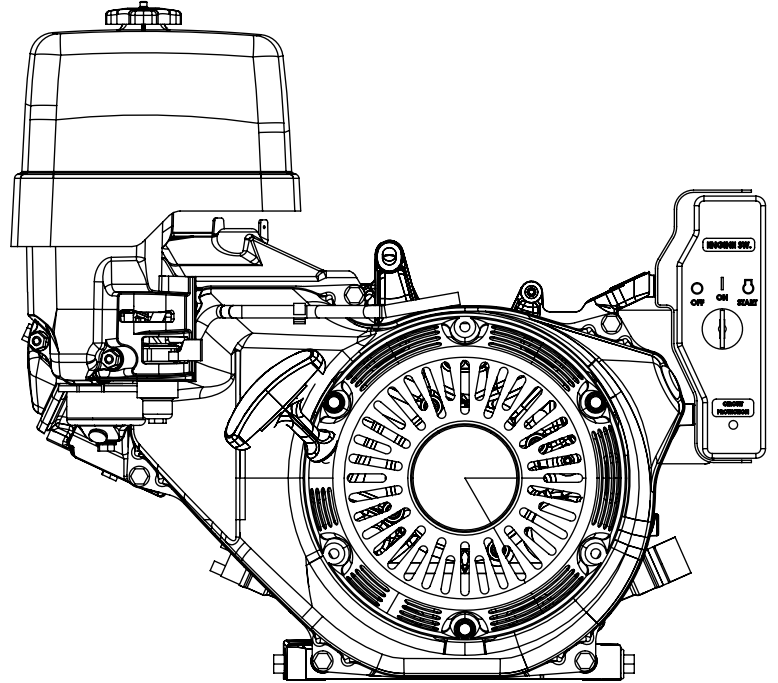
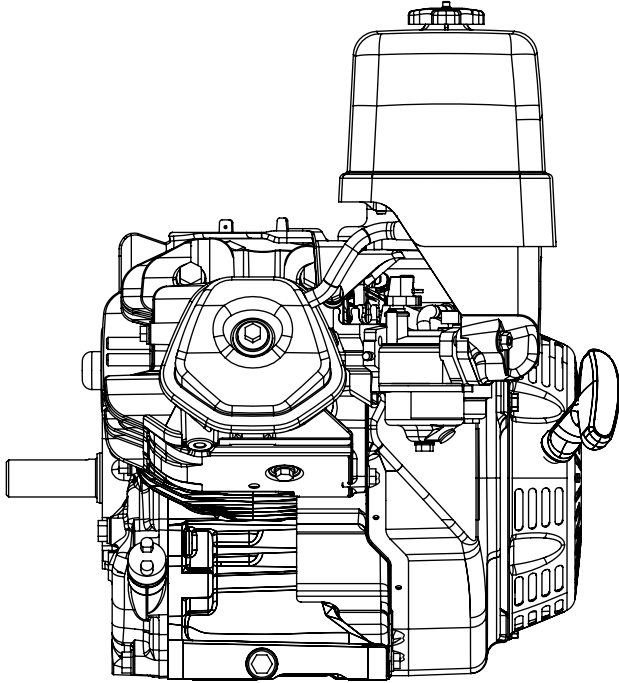
**WINCO Service**  
Phone: 507-357-6831  
Email: [service@wincogen.com](mailto:service@wincogen.com)  
[www.wincogen.com](http://www.wincogen.com)

# Engine and Generator



ITEM NO.	PART NUMBER	DESCRIPTION	QTY.
1	15428-000	ENGINE-HONDA GX340RT2VWE2	1
2	15679-010	GOVERNOR COVER	1
3	16248-000	.25-20 FLANGE NUT	1
4	16249-000	.3125-18 FLANGE	2
5	16346-027	GEN END, ES16F-160/A	1
6	16446-000	M8-1.25 NYLOCK	4
7	481-000	LOCK WASHER .375 SPLIT	4
8	580-000	5/16-18X1.25	2
9	64908-001	HHCS M8-1.25X35MM 8.8GR ZINC	4
10	91658-001	.375-16 X 1 HHB	4
11	95281-000	.25-20X1.25 HHB	1
12	97391-002	TUBE CLAMP/CUSH.WIRE 5/8	1

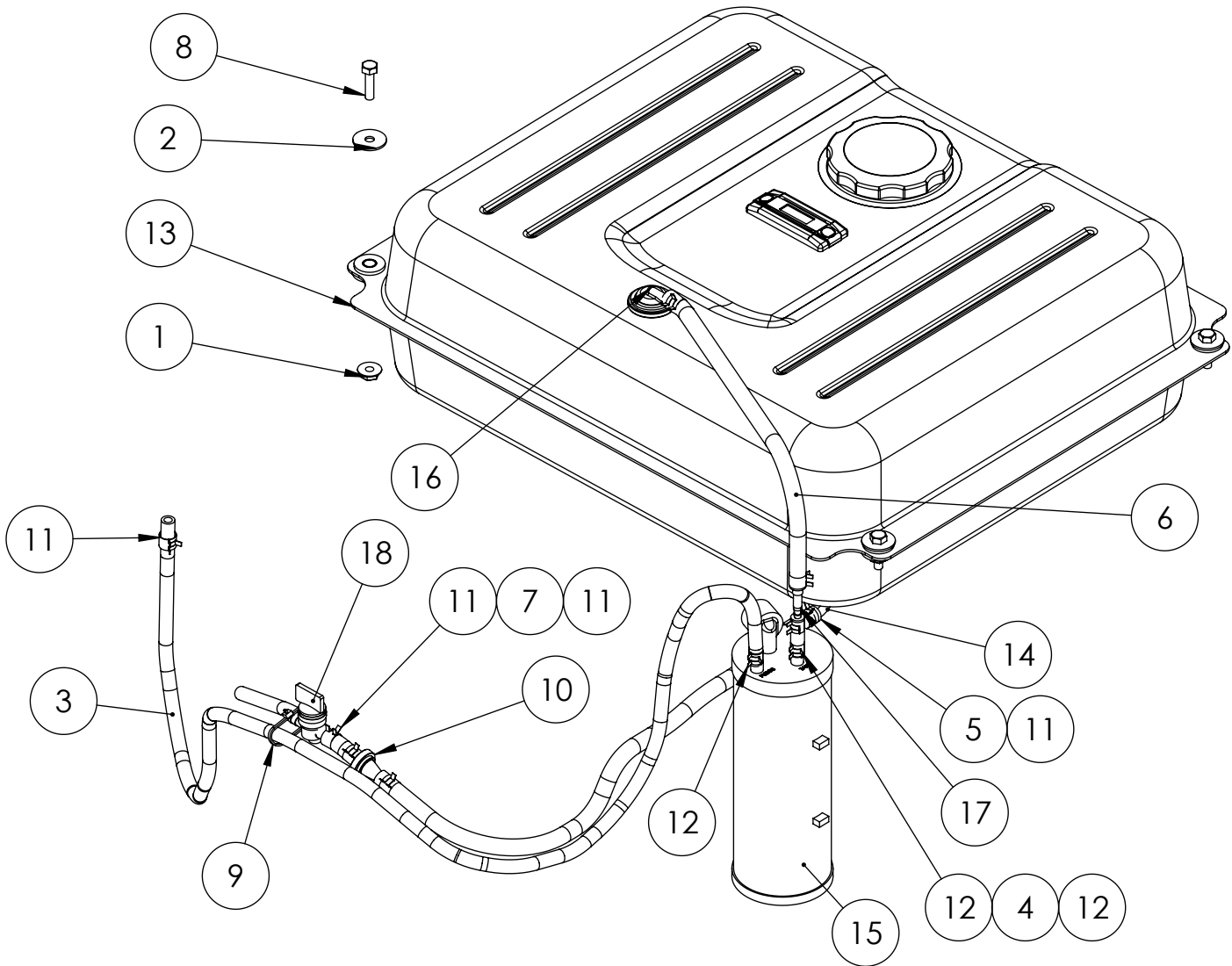
# Engine Parts



ITEM	PART	DESCRIPTION	QTY
1	1-109 or 1-111	Spark Plug	1
2	1-126	Air Filter	1

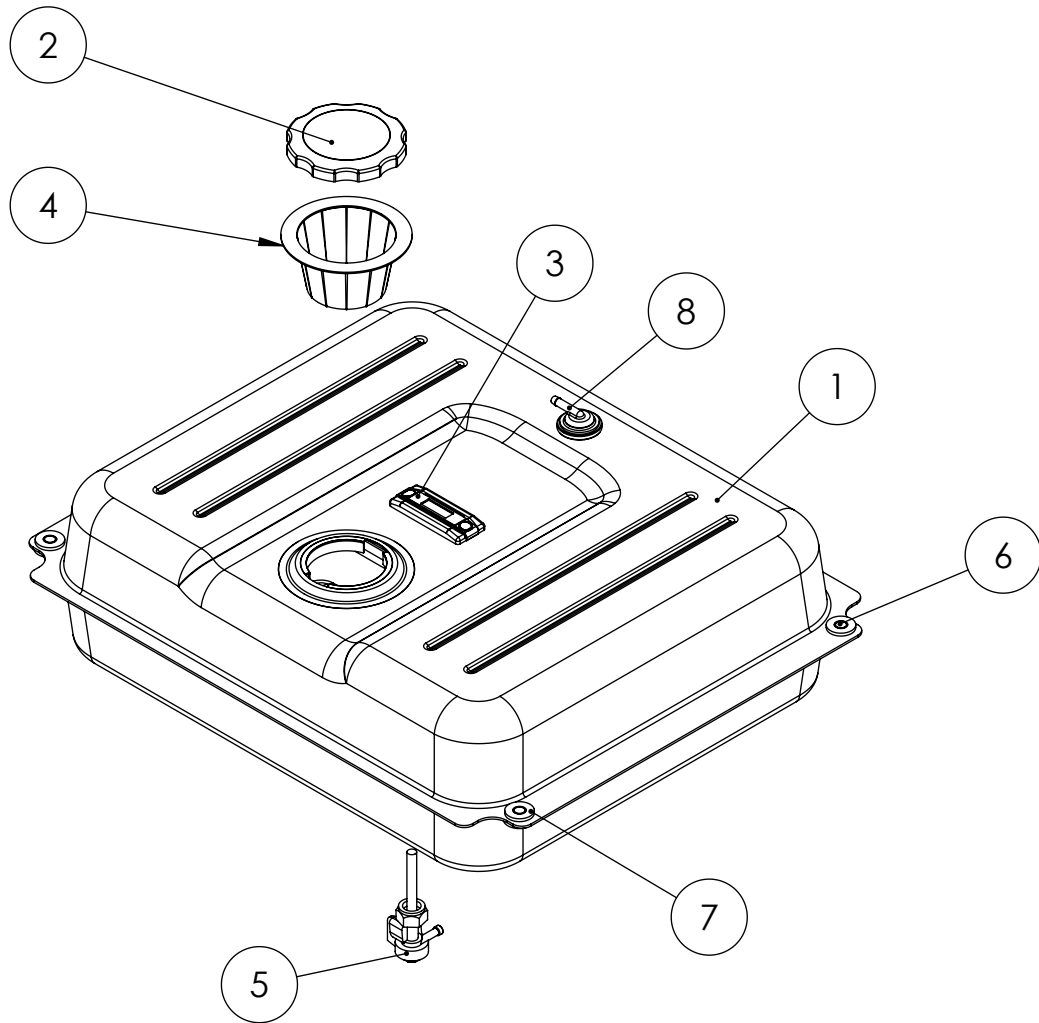
Contact WINCO service or your Honda dealer for full engine part support.

# Fuel System



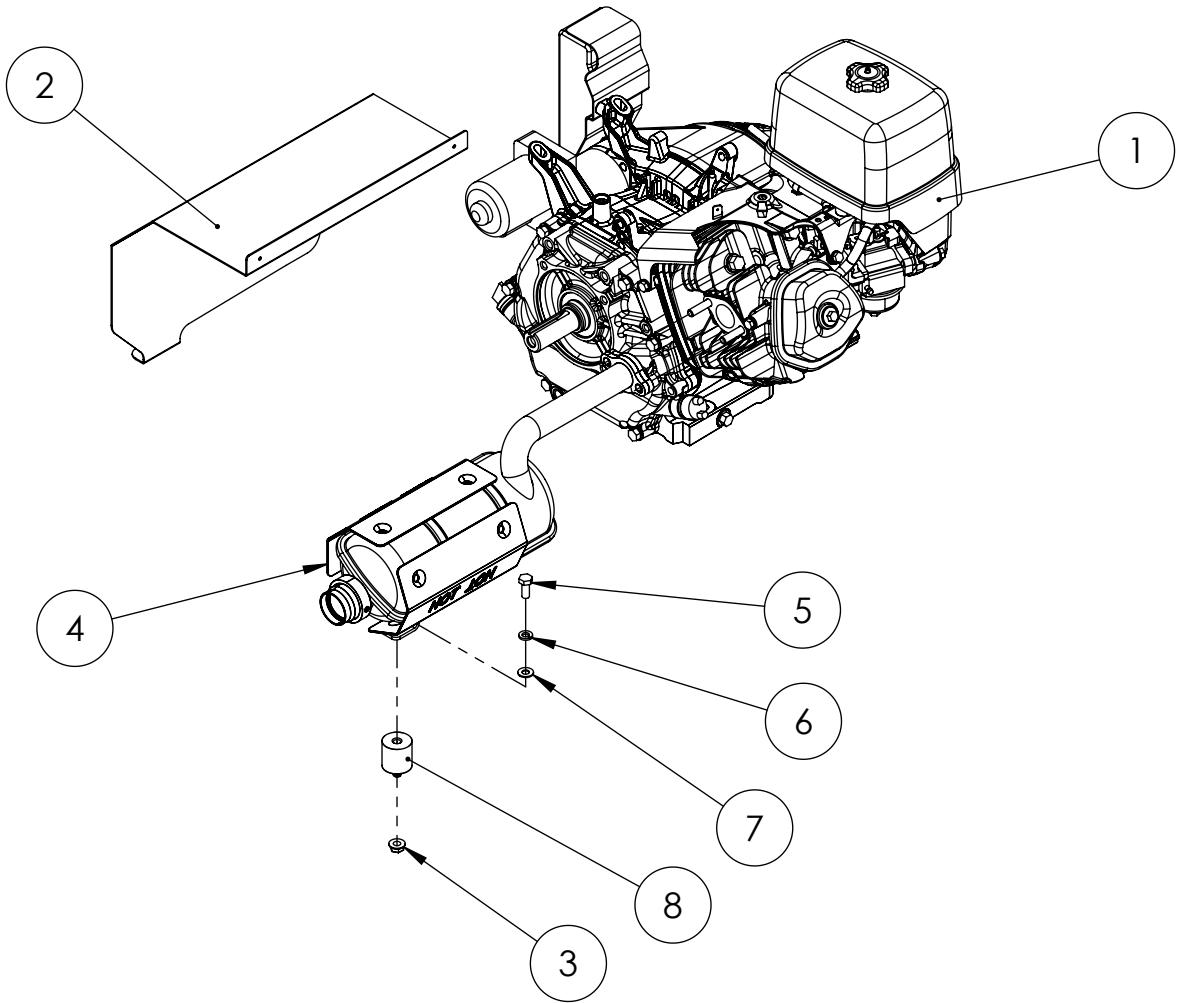
ITEM NO.	PartNo	DESCRIPTION	QTY.
1	16248-000	.25-20 FLANGE NUT	4
2	267-002	FLAT WSH 9/32X1X.063	4
3	40077-004	3/16 FUEL HOSE 43" LONG	1
4	40077-014	3/16 FULE LINE 1.375" LONG	1
5	40078-005	HOSE .25ID 15IN LONG	1
6	40078-028	HOSE 1/4ID RUBBER 13IN CUT	1
7	40078-033	HOSE 1/4ID RUBBER 2" CUT	1
8	439-000	.25-20 X 1 HHB	4
9	49975-011	CABLE TIE 7" BLACK 50# PULL	1
10	62496-005	FUEL FILTER, 40-70MIC	1
11	62999-001	HOSE CLAMP .5 OD RED	7
12	62999-005	HOSE CLAMP .41 OD GREEN	3
13	64024-013	FUEL TANK 7 GAL. STEEL GASOLINE	1
14	64024-101	90 DEGREE FUEL TANK ELBOW	1
15	80902-000	CARBON CANISTER, 7 GAL.	1
16	80903-002	SLOSH VALVE 1/4" HOSE	1
17	98590-002	HOSE REDUCER 1/4X3/16 (SCP)	1
18	98771-005	FUEL VALVE 1/4" HOSE BARB	1

# Fuel Tank



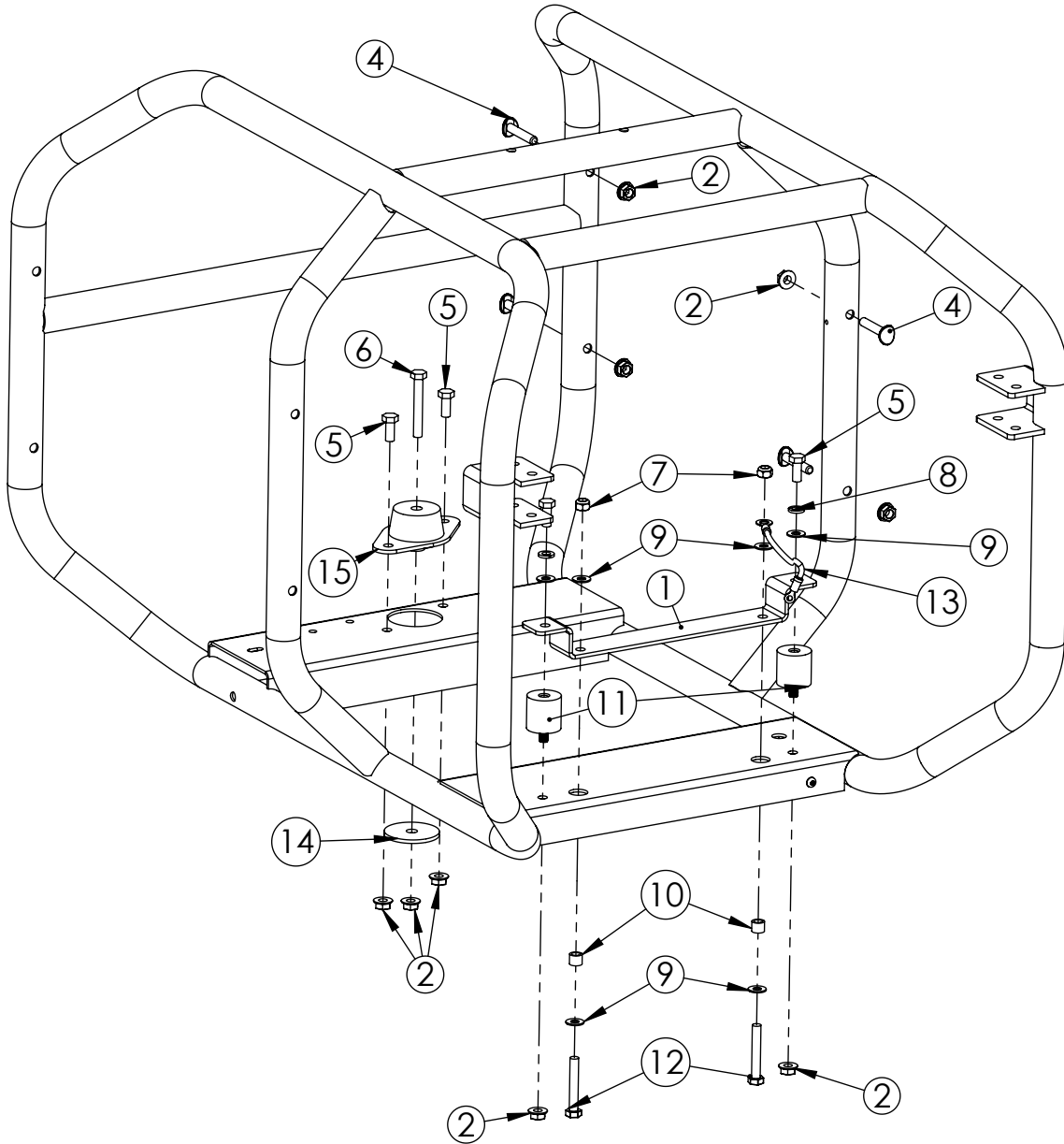
ITEM NO.	PART NUMBER	DESCRIPTION	QTY.
1	64024-013	FUEL TANK 7 GAL STEEL GASOLINE	1
2	64024-401	FUEL CAP, SEALED, AUDIBLE, TETHERED	1
3	64024-402	FUEL LEVEL GAUGE - 112 MM	1
4	64024-403	FUEL FILL FILTER	1
5	64024-404	168B FUEL CONTROL VALVE	1
6	64024-405	ANTI-CRUSH INSERT	4
7	64024-406	RUBBER BUSHING	4
8	80903-002	SLOSH VALVE 1/4" HOSE	1
<b>ALL ITEMS LISTED ABOVE IN THIS TABLE ARE INCLUDED WITH A 64024-013 FUEL TANK PURCHASE.</b>			
9	61273-262	TOUCH UP PAINT, BLACK 3048	-

# Exhaust System



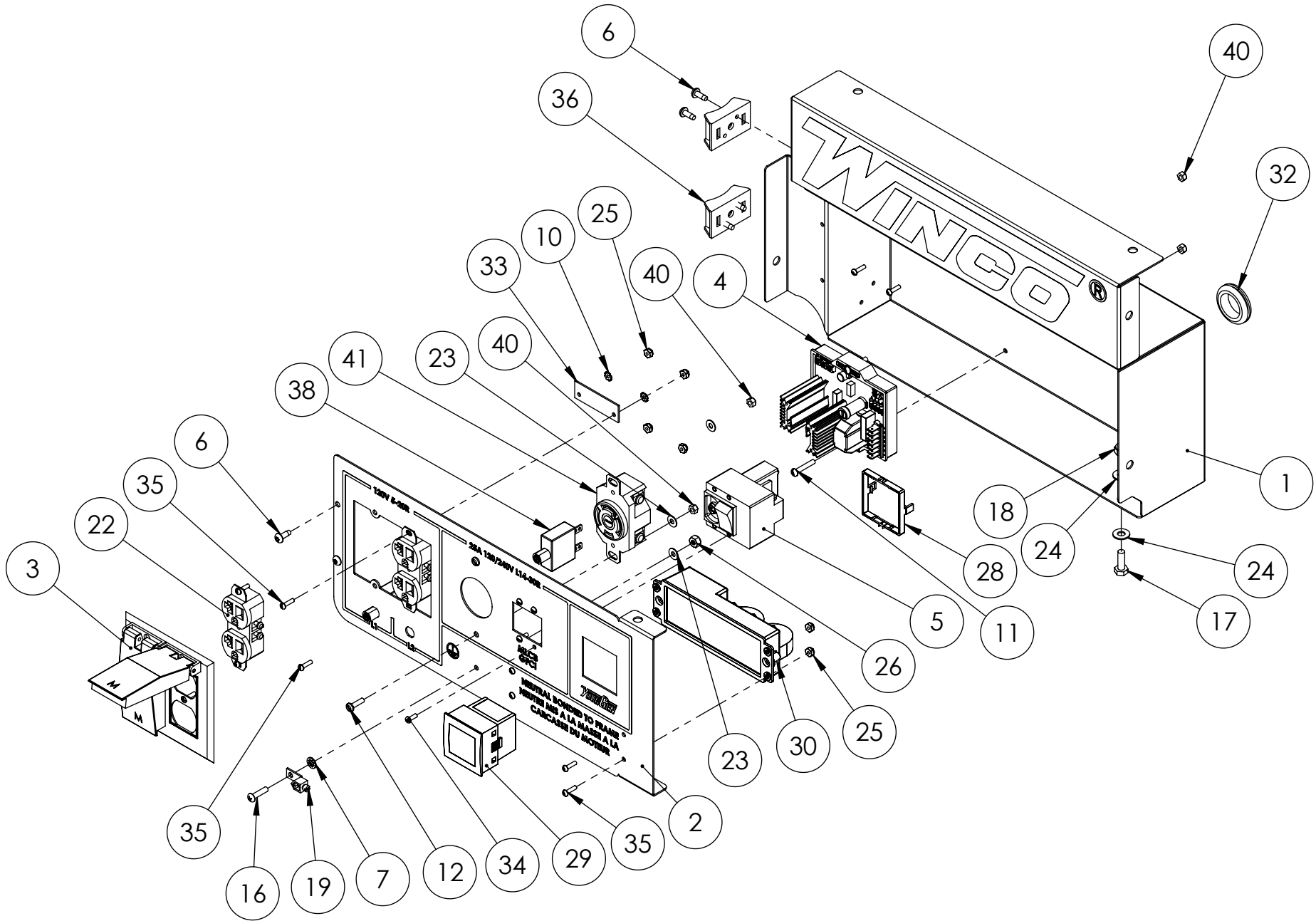
ITEM NO.	PartNo	DESCRIPTION	QTY.
1	15428-000	HONDA ENGINE GX340	1
2	15687-044	MUFFLER HEAT SHIELD	1
3	16249-000	.3125-18 FLANGE	1
4	350590-19	MUFFLER	1
5	467-000	.3125-18X .75 HHB HEX BOLT	1
6	480-000	5/16 SPLIT LOCKWASHER	1
7	526-000	WASHER .3125 ID	1
8	64062-000	SHOCKMOUNT, BLACK 40 DURO	1

# Cradle Assembly



ITEM NO.	PartNo	DESCRIPTION	QTY.
1	15929-009	SHOCKMOUNT ADAPTER	1
2	16249-000	.3125-18 FLANGE	9
3	21698-001	TORX PAN HEAD SCREW #10	1
4	23590-002	CURVED HEAD BOLT 5/16-18 X 1 3/4	4
5	467-000	.3125-18X .75 HHB HEX BOLT	4
6	471-000	5/16-18 X 2.25	1
7	47136-000	HEX NUT .3125-18 NYLOK	2
8	480-000	5/16 SPLIT LOCKWASHER	2
9	526-000	WASHER .3125 ID	6
10	62825-014	SPACER .312 ID X .375 LONG	2
11	64062-000	SHOCKMOUNT, BLACK 40 DURO	2
12	91672-009	5/16-18 X 2	2
13	9769-145	LEADWIRE ASSY 6.5"	1
14	98806-000	WASHER .406 X 2	1
15	98807-002	SHOCK MOUNT	1

# Receptacle Panel Assembly



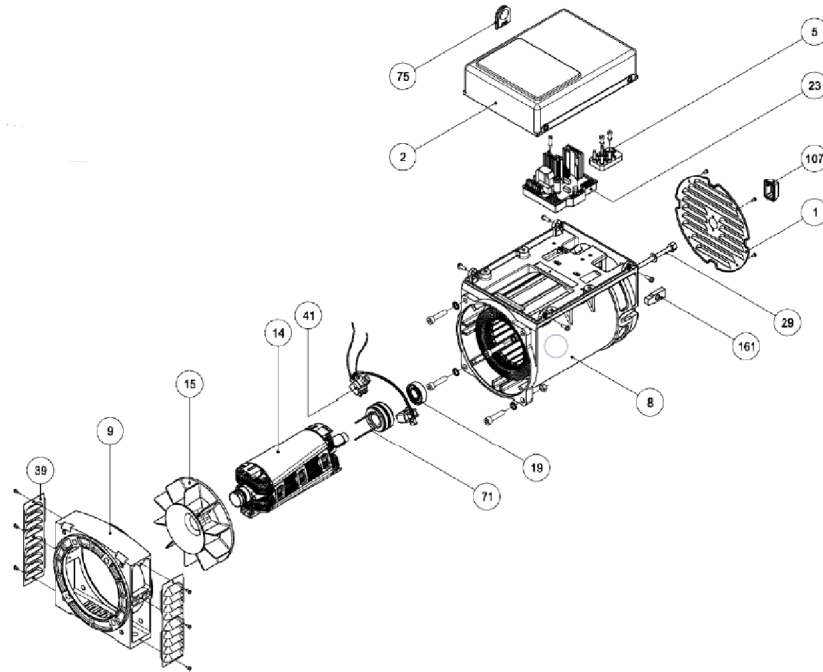
**NOTE: TERMINALS/CABLE TIES/MODULE CABLE NOT SHOWN**



## Receptacle Panel Assembly

ITEM NO.	PART NUMBER	DESCRIPTION	QTY.
1	15221-058	RECEPTACLE PANEL BOX	1
2	15458-081	RECEPTACLE PANEL	1
3	15620-009	STD DUPLEX COVER 5-20R	1
4	16346-420	VOLTAGE REGULATOR ASR	1
5	16488-020	CIR.BRK.25A-2PL-240V GFCI	1
6	21698-001	TORX PAN HEAD SCREW #10	6
7	21975-000	#10 INT. TOOTH LOCKWASHER	1
8	22370-007	TERMINAL SPADE 16/14AWG #10STUD	4
9	22370-013	TERMINAL, SPADE, 12-10AWG, #10 STUD	5
10	22989-000	#6 LOCKWASHER	2
11	23599-000	RHMS 8-32 X 1	2
12	24198-001	BHMS #8-32 x .625 BLACK	2
13	4156-000	TERMINAL RING 12-10 #10 STUD	2
14	4158-000	TERMINAL RING 16-14 AWG #10	7
15	4160-000	TERMINAL, RING, 16-14AWG, 1/4 STUD	3
16	420-001	BZ RHMS 10-24X3/4 PHILLIPS	1
17	466-000	.25-20X.75 HHB	2
18	47517-000	.25-20 NYLOCK	2
19	48042-001	TERMINAL, GROUND LUG, 6-14AWG	1
20	48602-004	TERMINAL MALE 16-14 AWG .250 TAB	6
21	49975-013	CABLE TIE 14IN BLACK 120# PULL	2
22	50766-000	NEMA 5-20R DUPLEX RECEPTACLE	2
23	511-000	#8 FLATWASHER	3
24	512-000	.25 WASHER	4
25	51802-000	NUT HEX #6-32 NYLOCK	8
26	5315-000	NUT HEX 10-24 NYLON	1
27	58165-18	DISPLAY MODULE CABLE	1
28	58166-009	DISPLAY MODULE MOUNTING CLIP	1
29	58166-009	DISPLAY MODULE	1
30	58166-010	TERMINAL BLOCK MODULE	1
31	61898-000	TERMINAL FLAG 16/14AWG .250	12
32	62486-000	GROMMET 1 X 1.375	1
33	64045-041	MOUNTING STRAP, 2 HOLE, 1.800 IN	1
34	6917-001	RHMS 6-32 X .375 BLACK ZINC	4
35	7792-001	BZ RHMS 6-32X.5	10
36	81902-000	MOUNTING BRACKET	2
37	81963-001	TERMINAL RING 18-22 AWG #10	1
38	91286-001	CIRCUIT BREAKER, 20A, 1 PL	2
39	95810-000	CABLE TIE HOLDER	1
40	95985-000	#8-32 NYLOK HEX NUT	4
41	97360-000	RECEPTACLE, NEMA L14-30R 120_240V	1

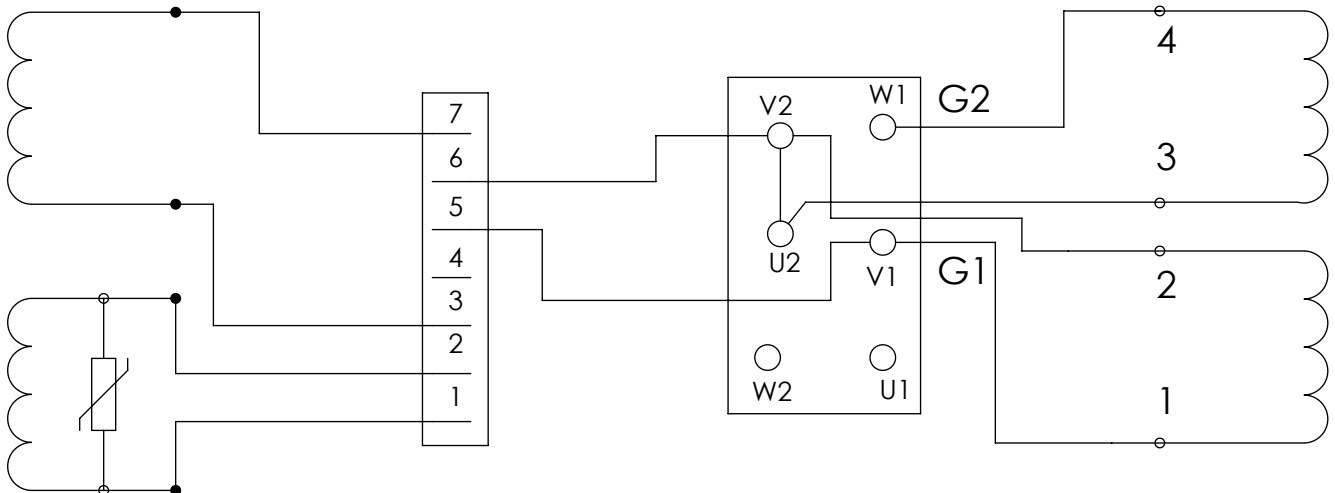
# Generator Information



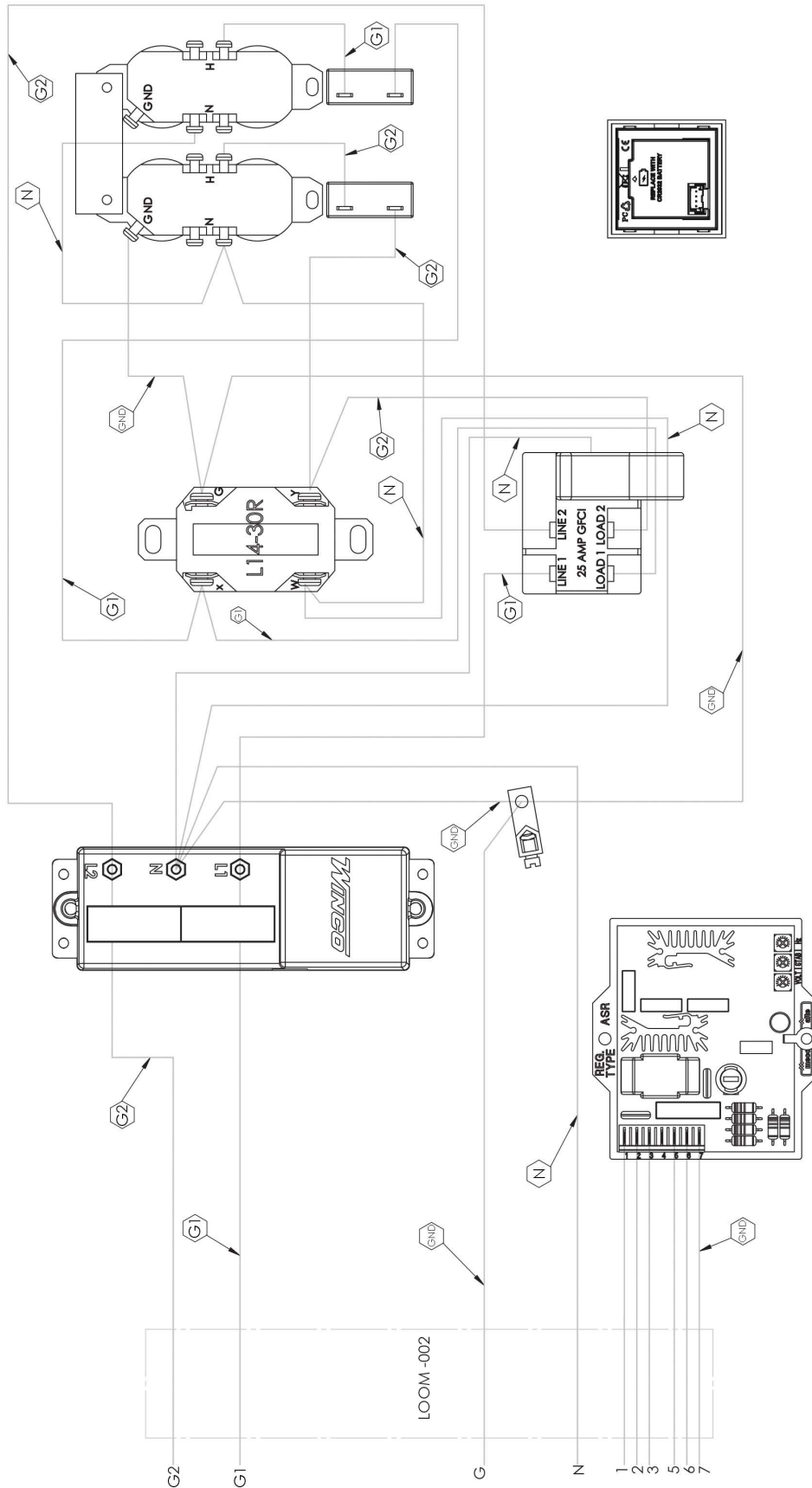
ITEM	DESCRIPTION	PART NO.
	GEN END, ES16F-160/A, 6.8kW	16346-027
2	TERMINAL BOX LID	9-101
23	ASR ELECTRONIC REGULATOR	16346-420
41	BRUSH GEAR ASSEMBLY	9-103
75	RUBBER GROMMET	9-104
107	GRID RUBBER CAP	9-105

Individual parts not listed may be obtained from [www.meccalte.com](http://www.meccalte.com). WINCO Inc sells the complete generator end of the individual parts listed above.

ES16F-160 Expected Resistance ( $\Omega$ )		
Rotor	Stator	Auxiliary
8.378	0.510	0.920



# Receptacle Wiring Diagram



# Engine Wiring

## ELECTRIC START TYPES WITH OIL ALERT® AND 1 AND 3 AMP CHARGE SYSTEMS

Bl	BLACK	Gr	GRAY
Y	YELLOW	R	RED
W	WHITE	G	GREEN

