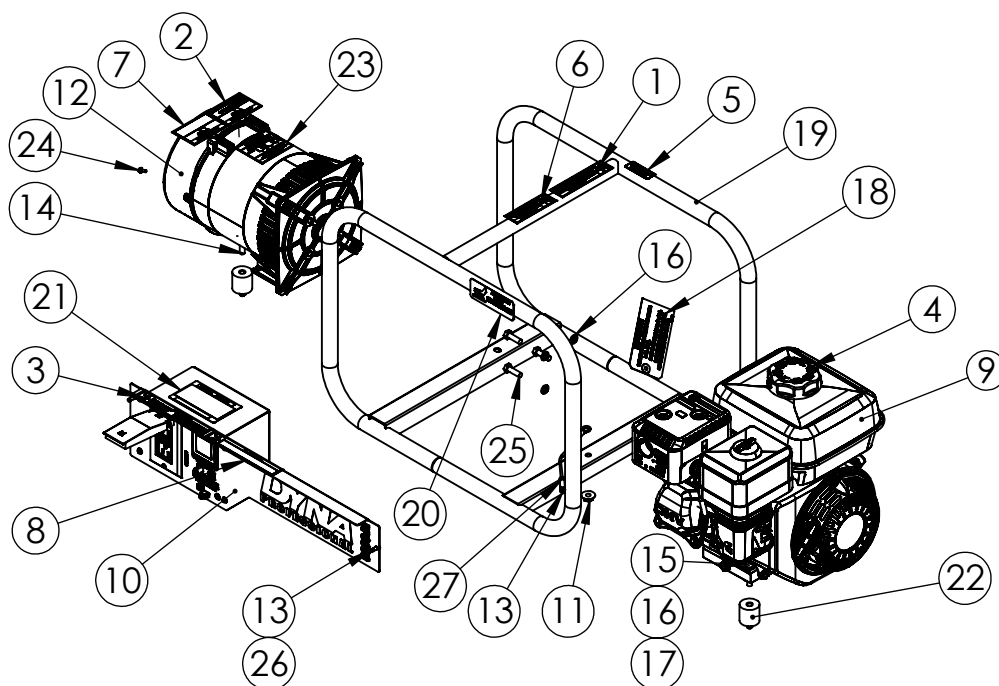


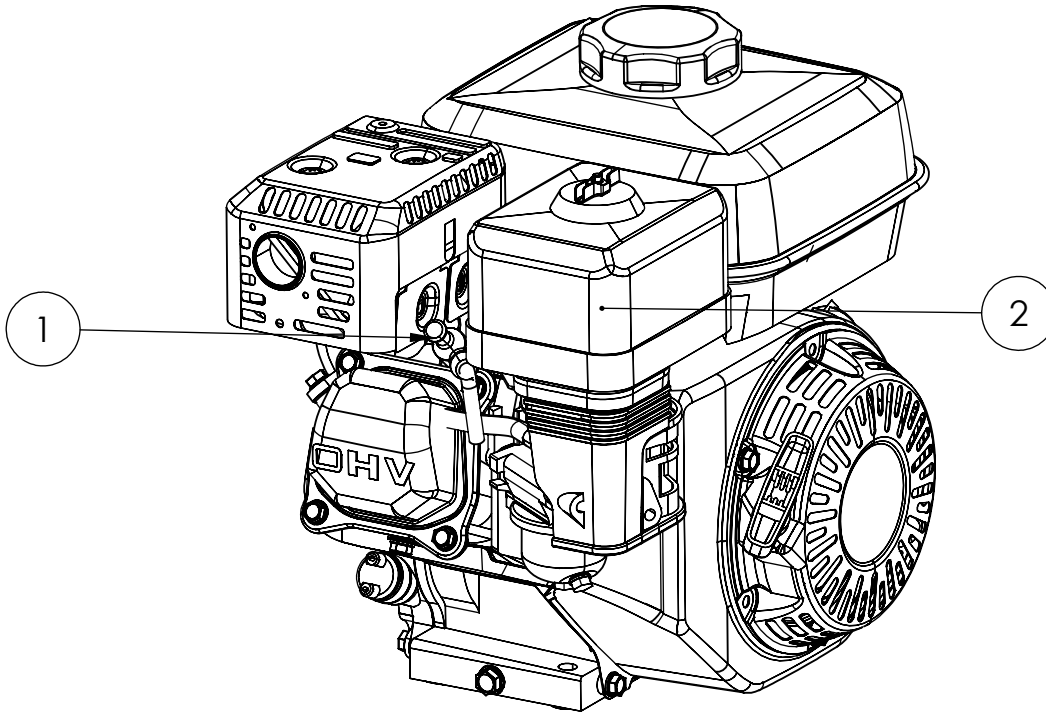
WINCO Service
Phone: 507-357-6831
Email: service@wincogen.com
www.wincogen.com

GENERAL ASSEMBLY



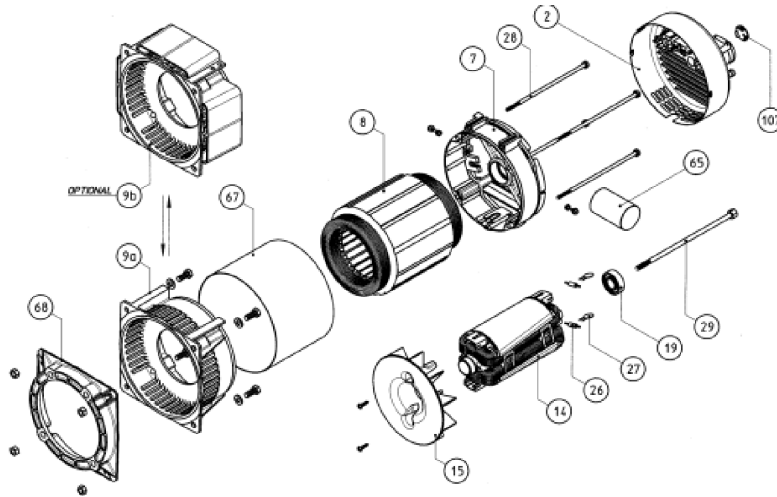
ITEM NO.	PartNo	DESCRIPTION	QTY.
1	15209-001	GASOLINE DECAL	1
2	15209-002	DECAL-DANGER CARBON MONOXIDE	1
3	15209-003	UL-DECAL ELECTRICAL SHOCK CAN KILL	1
4	15209-013	DECAL - FUEL TYPE GASOLINE	1
5	15209-014	DECAL - CHECK OIL	1
6	15209-101	DECAL, GASOLINE DANGER, FRENCH	1
7	15209-102	DECAL-DANGER CARBON MONOXIDE	1
8	15209-103	UL-DECAL ELECTRICAL SHOCK CAN KILL	1
9	15250-000	ENGINE HONDA GX160	1
10	15457-079	RECEPTACLE PANEL DP3000	1
11	16249-000	.3125-18 FLANGE NUT	3
12	16346-017	GENERATOR	1
13	21698-001	TORX PAN HEAD SCREW #10	4
14	467-000	HHCS 5/16-18X.75	1
15	468-000	.3125-18X1.5 HHCS	2
16	480-000	5/16 SPLIT LOCKWASHER	6
17	526-000	WASHER .3125 ID	2
18	60710-097	TAG OIL WARNING	1
19	63073-059	WELDED CRADLE ASSY	1
20	63941-001	DECAL -HOT SURFACES	1
21	63966-004	NAMEPLATE, WINCO PORTABLE	1
22	64062-000	SHOCKMOUNT, BLACK 40 DURO	3
23	64918-000	DECAL-DANGER (CO) USE OUTSIDE	1
24	82539-001	SELF TAP.SC.6X3/8	1
25	91547-000	.3125-24 X 1.000 HHCS	4
26	96286-002	FLAT WASHER NYLON	3
27	9769-145	LEAD WIRE ASSEMBLY	1

ENGINE



ITEM	PART	DESCRIPTION	QTY
1	1-109	Spark Plug	1
2	1-110	Air Filter - Including pre-filter	1

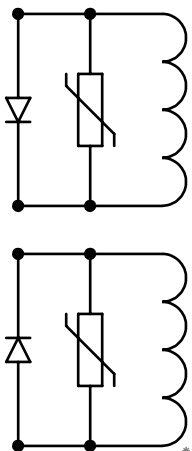
GENERATOR END



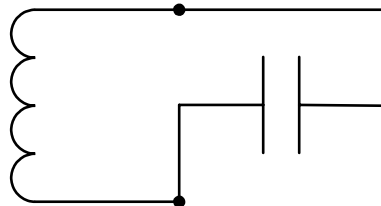
ITEM	PART	DESCRIPTION	QTY
-	16346-017	COMPLETE S16W-75 GEN	1
65	16346-801	CAPACITOR, 12.5MFD	1
26	16346-106	VARISTOR	2
27	16346-105	DIODE	2
19	55223-000	REAR BEARING	1
107	9-100	PLASTIC HOLE PLUG	1
-	16346-010	LOAD PLUG	1
-	16346-011	LOAD PLUG PINS	4

S16W-75 EXPECTED RESISTANCE (Ω)		
Rotor	Stator	Excitation
2.62	0.97	5.46

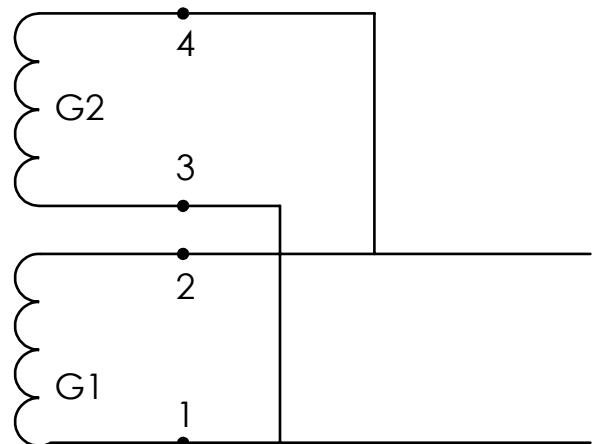
Field Winding



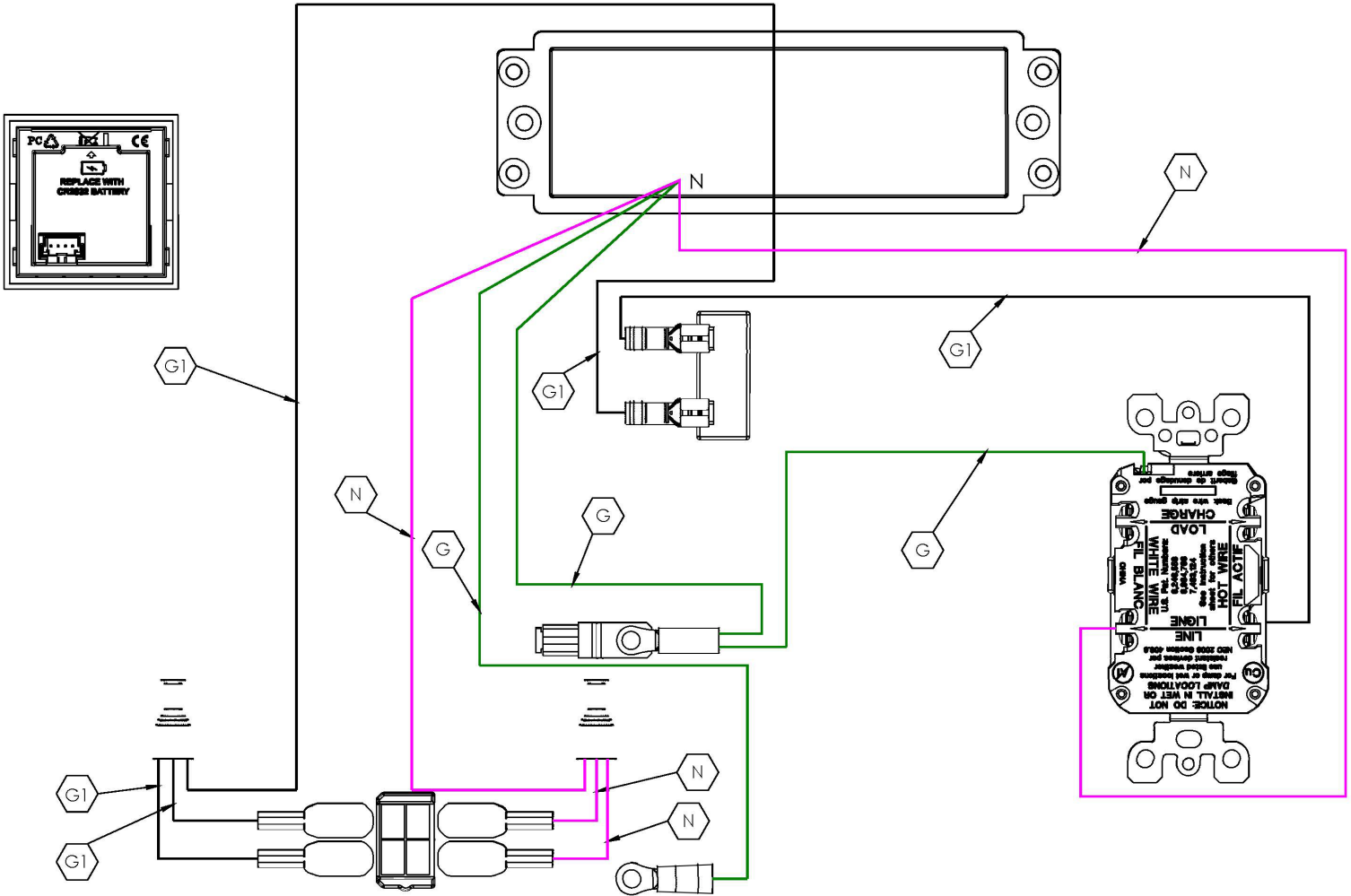
Excitation Winding



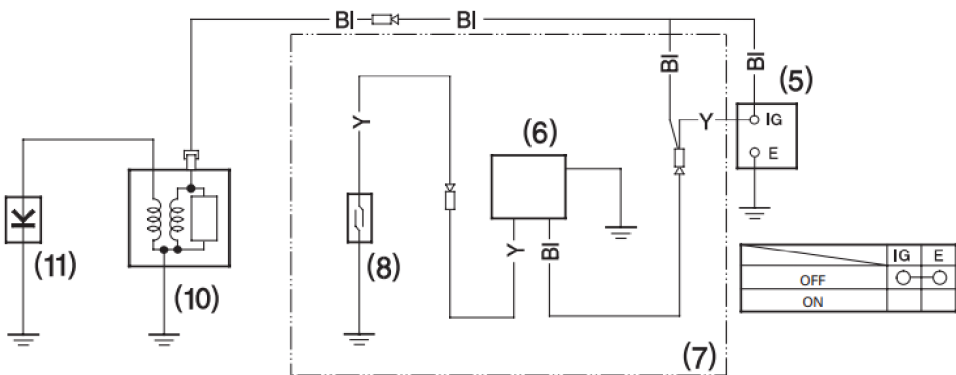
Power Winding



RECEPTACLE WIRING DIAGRAM



ENGINE ELECTRICAL SCHEMATIC



Item	Description
5	Engine Switch
6	Oil Alert Unit
8	Oil Level Switch
10	Ignition Coil
11	Spark Plug