

Powr-Flite®

PARTS LIST

COMMERCIAL UPRIGHT VACUUM CLEANER

PF712 & PF716 Series | Models PF712VC - PF712DC - PF716VC - PF716DC



PF712VC



PF712DC



PF716VC



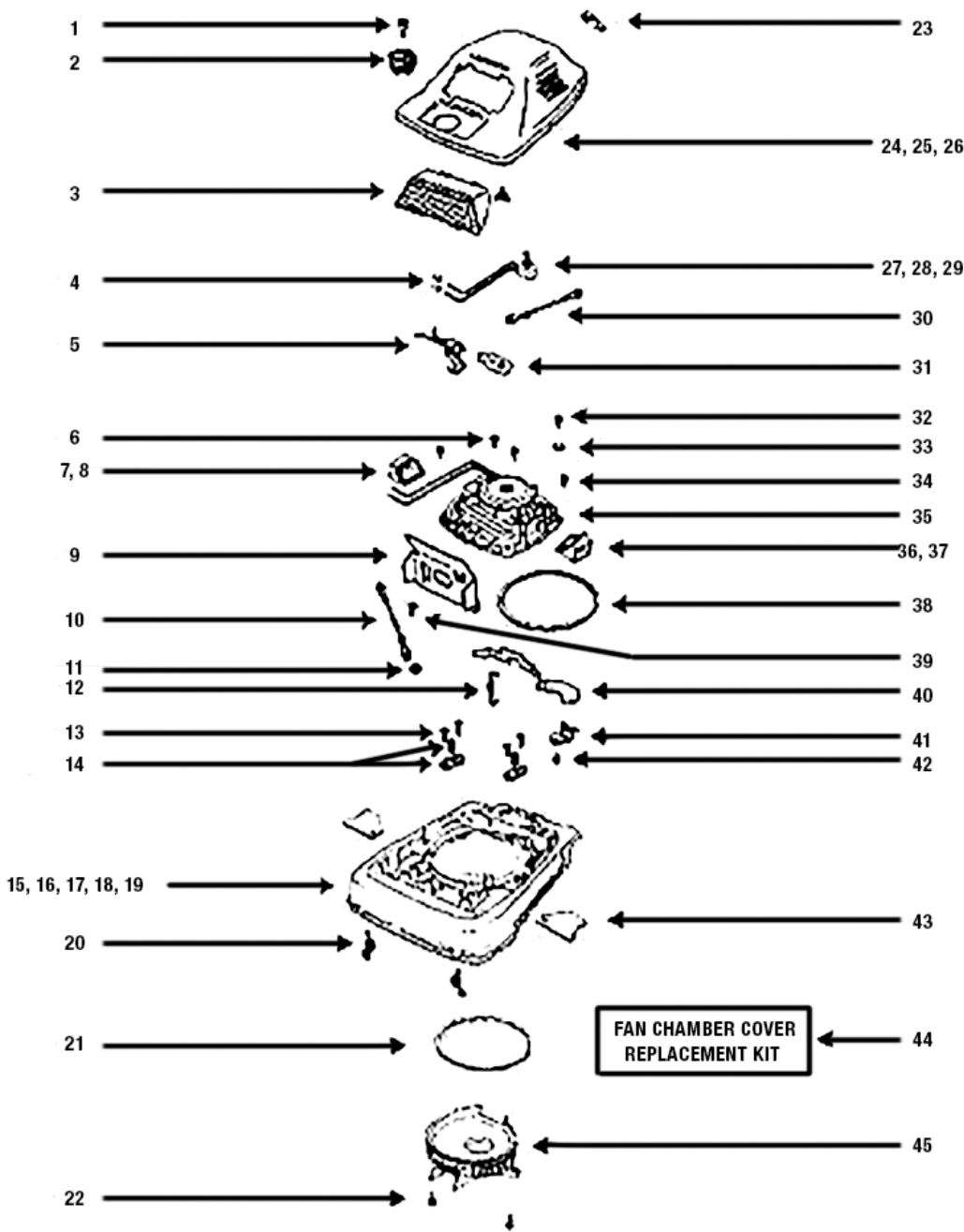
PF716DC

**WARNING: OPERATOR MUST READ AND UNDERSTAND THIS MANUAL
COMPLETELY BEFORE OPERATING THIS EQUIPMENT.**

Save These Instructions

MODELS - PF712DC, PF712VC, PF716DC, PF716VC

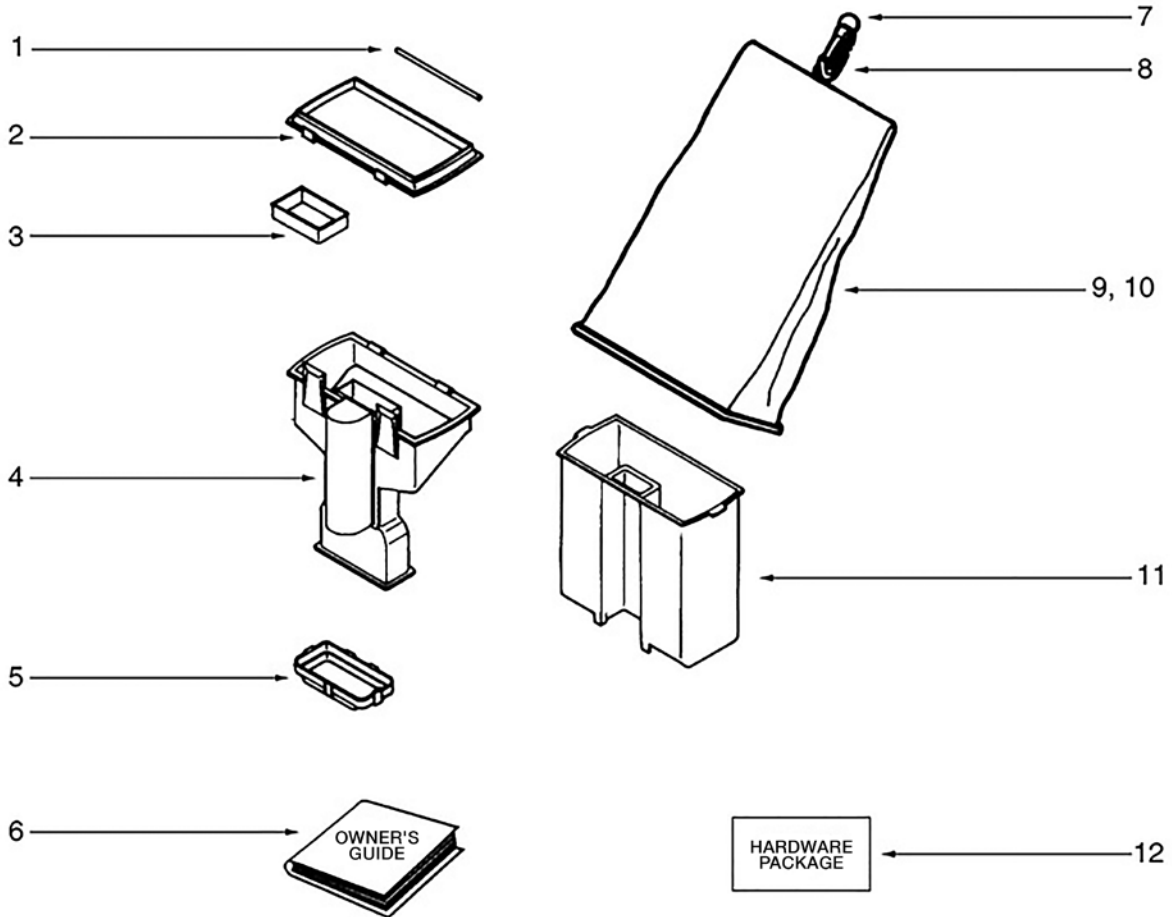
BASE AND HOOD • MODELS - PF712DC, PF712VC, PF716DC, PF716VC



PF712DC • PF712VC • PF716DC • PF716VC		
Ref#	Item#	Description
BASE & HOOD		
1	ER205	SCREW PACKAGE (10)
2	X1795	KNOB ASSEMBLY
4	N/A	WIRE SPLICE 5
5	N/A	NOT AVAILABLE
6	ER325	SCREW PACKAGE
7	N/A	DUCT ASSEMBLY (R)
8	N/A	TAPE - FOAM
9	N/A	NOT AVAILABLE
10	X1831	WIRE & TERMINAL ASSEMBLY
11	ER336	NUTS - PACKAGE 10
12	ER3	SPRING - FOOT PEDAL PKG (5)
13	ER325	SCREW PACKAGE
14	ER332	CLAMP & SCREW ASSY PKG
15	X1823	PF712DC BASE ASSEMBLY - CARTONED
15	X1827	PF712VC BASE ASSEMBLY - CARTONED
15	X1796	PF716DC, PF716VC BASE ASSEMBLY - CARTONED
16	N/A	CAM (RIGHT)
17	N/A	CAM (LEFT)
18	N/A	RIVET - SHOULDER PACKAGE (10)
19	N/A	STEEL WASHERS - PACKAGE 10
20	ER4	SPRING - HOOD PACKAGE (10)
21	09.077	GASKET - MOTOR SEAL
22	ER305	SCREW PACKAGE
23	ER331	STRAIN RELIEF BUSHING - PKGD
24	X1824	PF712DC, PF712VC HOOD & NAMEPLATE ASSY - PKGD
24	X1797	PF716DC, PF716VC HOOD & NAMEPLATE ASSY - PKGD
25	N/A	NAMEPLATE
26	N/A	NOT AVAILABLE
27	N/A	NOT AVAILABLE
28	N/A	NOT AVAILABLE
29	N/A	NOT AVAILABLE
30	N/A	NOT AVAILABLE
31	N/A	NOT AVAILABLE
32	ER325	SCREW PACKAGE
33	ER331	STRAIN RELIEF BUSHING - PKGD
34	ER325	SCREW PACKAGE
35	ER632	MOTOR ASSEMBLY - PACKAGED
36	N/A	DUCT ASSEMBLY (L)
37	N/A	TAPE - FOAM
38	09.077	GASKET - MOTOR SEAL
39	ER307	SCREW PACKAGE
40	ER2	PEDAL - FOOT
41	ER127	SPRING - ADAPT RETAINER
42	ER336	NUTS - PACKAGE 10
43	ER333	COVER - WHEEL
44	ER638	FAN CHAMBER REPLACEMENT KIT
45	ER644	COVER - FAN SCROLL
NP	X1798	PCB - SPEED CONTROL
NP	ER958	CLAMP BELLOWS PF712DC, PF712VC
NP	ER953	CLAMP BELLOWS PF712DC, PF712VC

MODELS - PF712DC, PF716DC

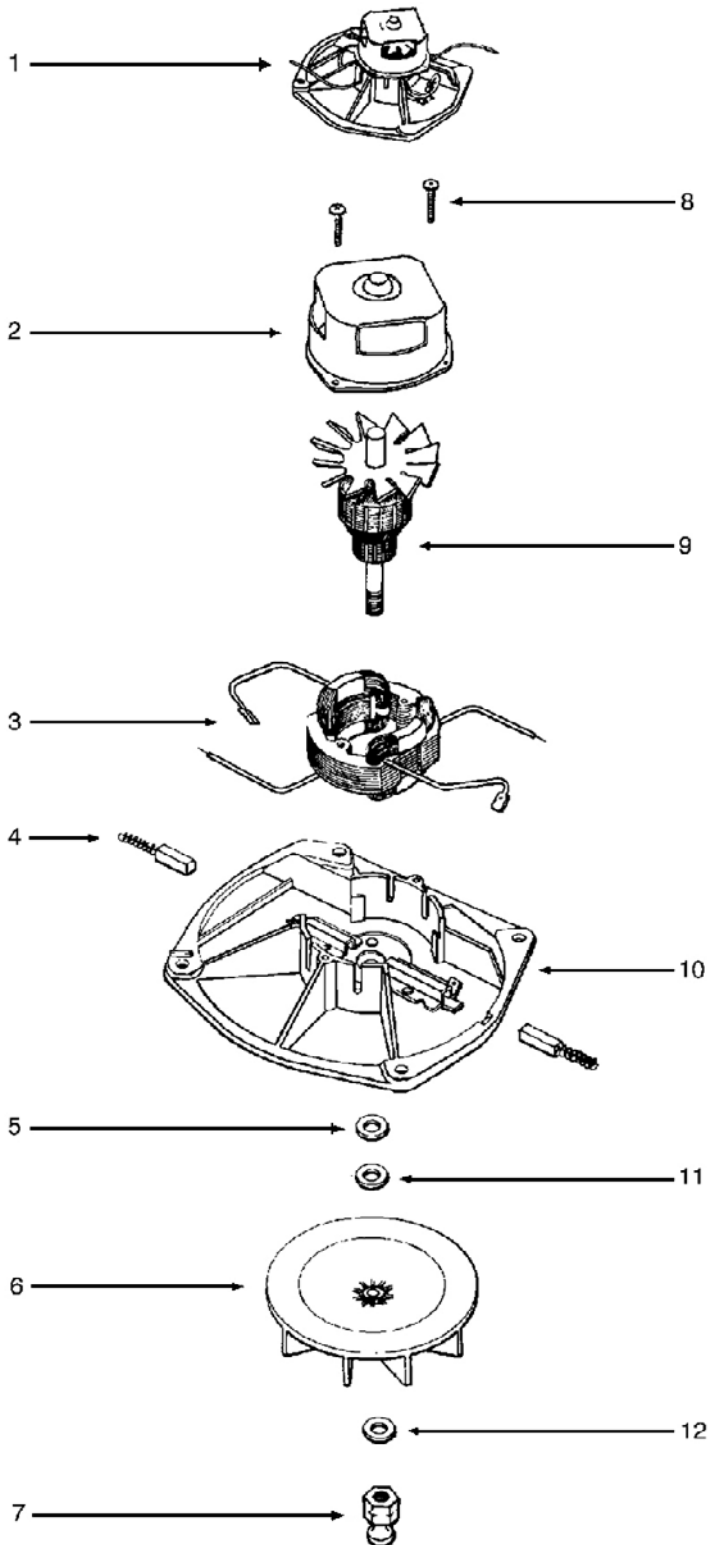
DIRT CUP • MODELS - PF712DC, PF716DC



PF712DC • PF716DC		
Ref#	Item#	Description
DIRT CUP		
1	ER601	PIN COVER
2	59.832	FLANGE - BAG (OUTER)
3	09.033	GASKET
4	06.117	SUPPORT & LATCH ASSY - PKGD
5	06.897	CLAMP
6	N/A	OWNER'S GUIDE
7	X1819	RING STEEL
8	X1820	HOOK - SNAP
9	X1821	BAG ASSEMBLY - PACKAGED
10	09.282	GASKET - DIRTCUP
11	X1822	DIRT CUP
12	N/A	HARDWARE PKG - COMM UPRIGHT

MODELS - PF712DC, PF712VC, PF716DC, PF716VC

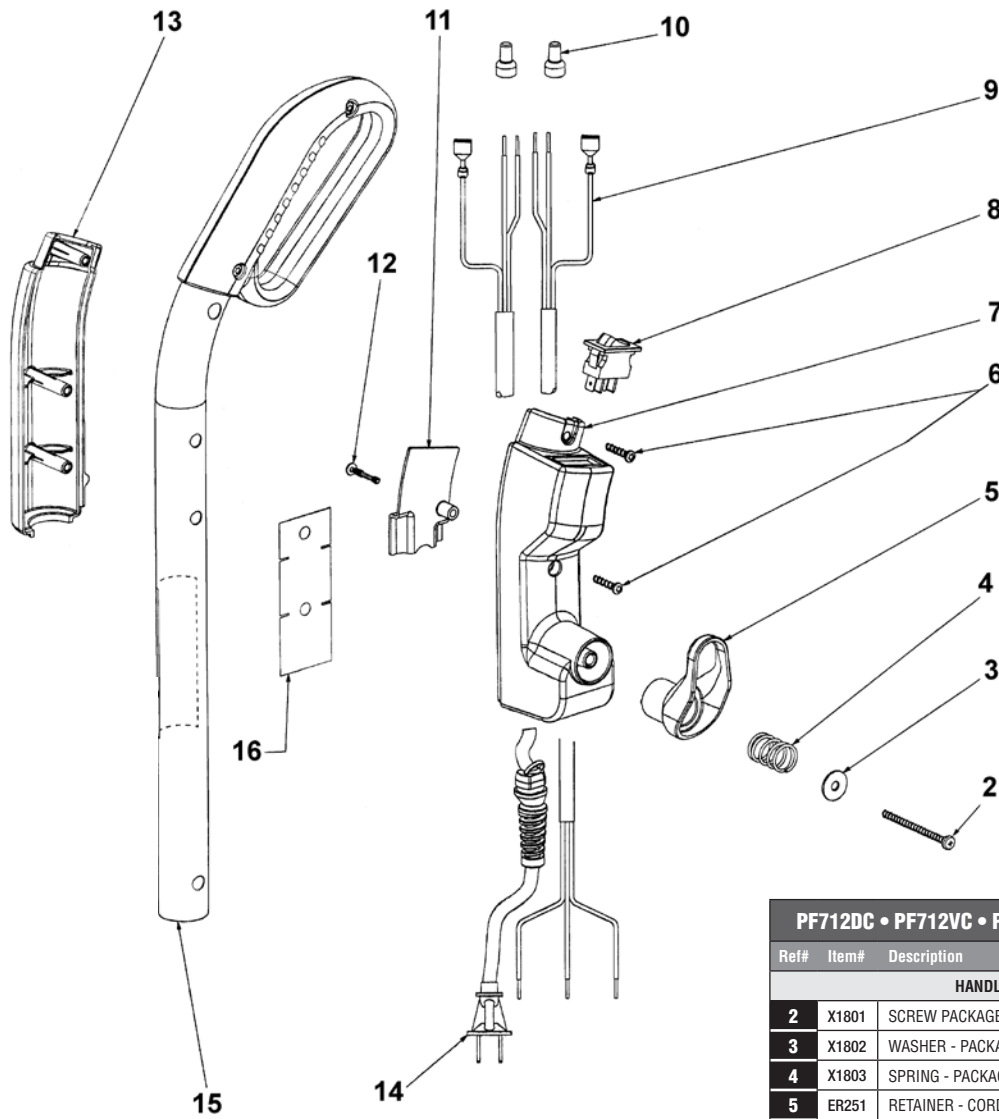
MOTOR • MODELS - PF712DC, PF712VC, PF716DC, PF716VC



PF712DC • PF712VC • PF716DC • PF716VC		
Ref#	Item#	Description
MOTOR		
1	ER632	MOTOR ASSEMBLY - PACKAGED
4	ER623	MOTOR BRUSH ASSEMBLY
5	ER344	WASHER PACKAGE
6	ER66	FAN BLOWER - MOTOR
7	ER202	PULLEY - MOTOR
11	ER17A	WASHER - FAN PACKAGE (10)
12	ER17A	WASHER - FAN PACKAGE (10)
NP	X1818	SCREW PACKAGE

MODELS - PF712DC, PF712VC, PF716DC, PF716VC

HANDLE • MODELS - PF712DC, PF712VC, PF716DC, PF716VC

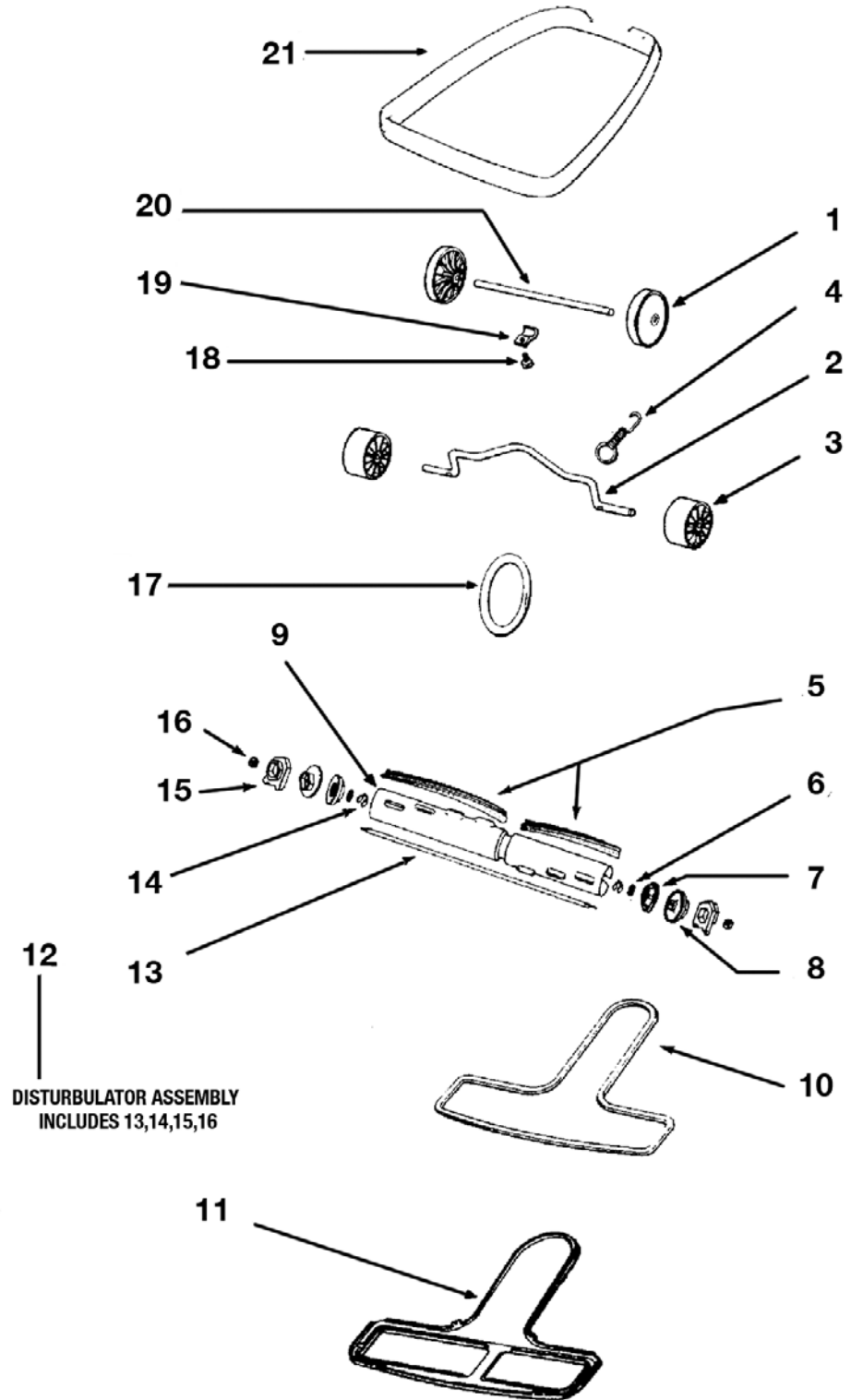


PF712DC • PF712VC • PF716DC • PF716VC		
Ref#	Item#	Description
HANDLE		
2	X1801	SCREW PACKAGE
3	X1802	WASHER - PACKAGED
4	X1803	SPRING - PACKAGED
5	ER251	RETAINER - CORD
6	X1804	SCREW PACKAGE
7	X1805	HOUSING - SWITCH (LH)
8	X1806	SWITCH - ROCKER
9	X1807	UPPER CORD ASSEMBLY
10	N/A	WIRE SPLICE 5
11	X1808	SHIELD - WIRING
12	X1794	SCREWS - PACKAGED
13	X1810	HOUSING - SWITCH (RH)
14	X1811	SUPPLY CORD ASSEMBLY
15	X1812	UPRIGHT HANDLE & GRIP ASSEMBLY
16	N/A	NOT AVAILABLE
NP	ER194	CORD - EXTENSION (50FT)
NP	X1813	CORD LOCK
NP	X1814	TUBE - HANDLE (LOWER)
NP	X1815	CORD RETAINER SET
NP	X1816	SHIELD - HANDLE SOCKET
NP	X1817	HANDLE SOCKET ASSEMBLY
NP	X1818	SCREW PACKAGE
NP	ER20	HANDLE SCREW ASSEMBLY PACKAGE

MODELS - PF712DC, PF712VC

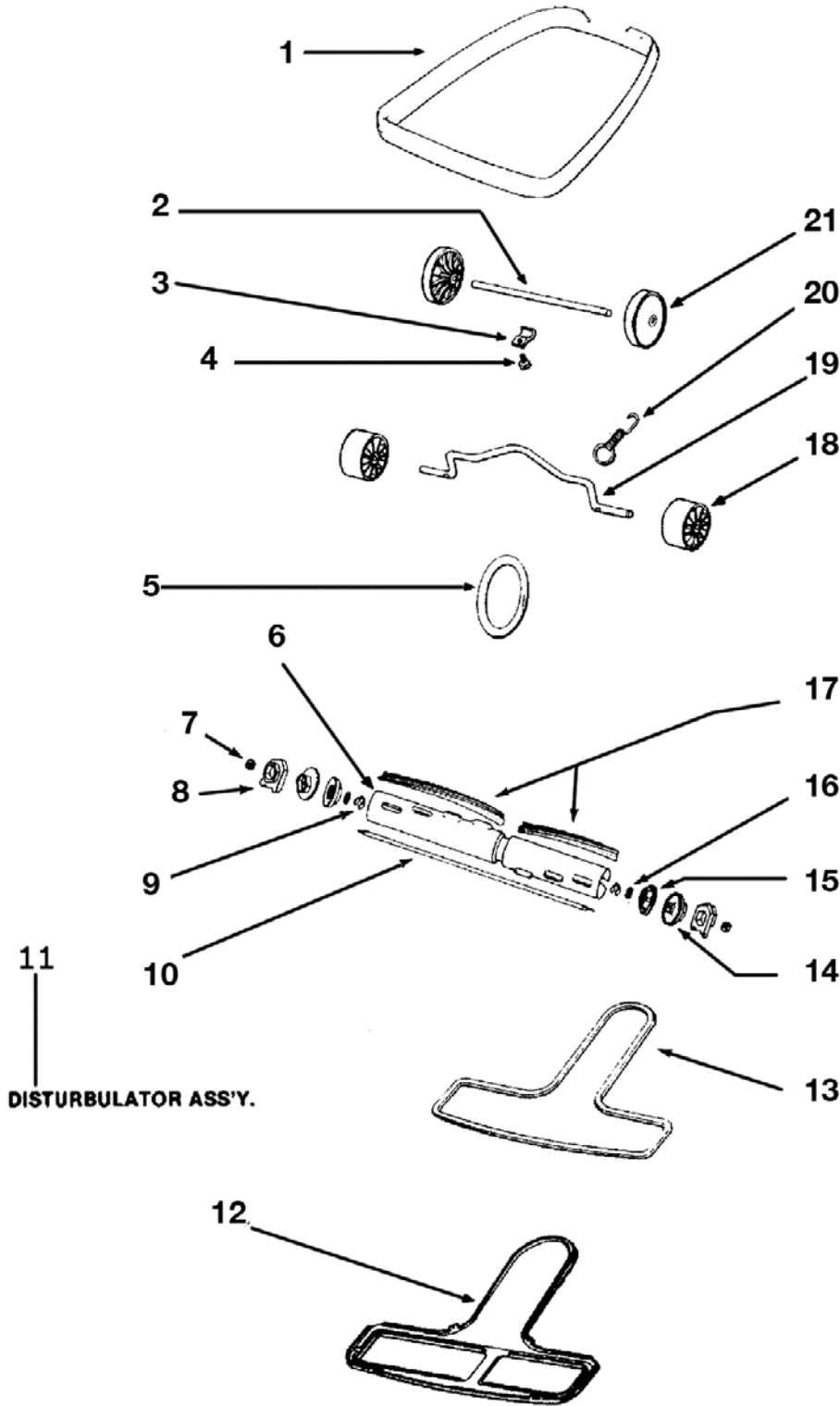
Furniture Guard and Brushroll • PF712DC, PF712VC

PF712DC • PF712VC		
Ref#	Item#	Description
FURNITURE GUARD AND BRUSHROLL		
1	X1800	REAR WHEEL ASSEMBLY
2	ER353	AXLE - FRONT
3	ER37	WHEEL - FRONT
4	ER308	SPRING & AXLE PACKAGE (6)
5	X1793	Package - BRISTLE STRIP
6	ER397	BEARING & RETAINER ASSY
7	ER392	CAP - DISTURBULATOR
8	ER390	CAP - COVER
9	ER381	TUBE - DISTURBULATOR
10	N/A	TAPE - FOAM
11	ER214	BOTTOM PLATE ASSEMBLY
12	ER395	DISTURBULATOR ASSEMBLY
13	X1826	SHAFT - DISTURBULATOR
14	ER398	KLIPIRING PACKAGE
16	ER317	LOCK NUT PACKAGE
17	ER7B	BELT - DRIVE (STYLE RD)
18	ER307	SCREW PACKAGE
19	ER569	CLAMP - AXLE
20	ER567	AXLE - REAR
21	87.035	GUARD - FURNITURE
NP	N/A	WHEEL & AXLE ASSEMBLY
NP	ER320	WASHER - WHEEL PACKAGE (10)
NP	ER568	PUSH NUT PACKAGE (10)



MODELS - PF716DC, PF716VC

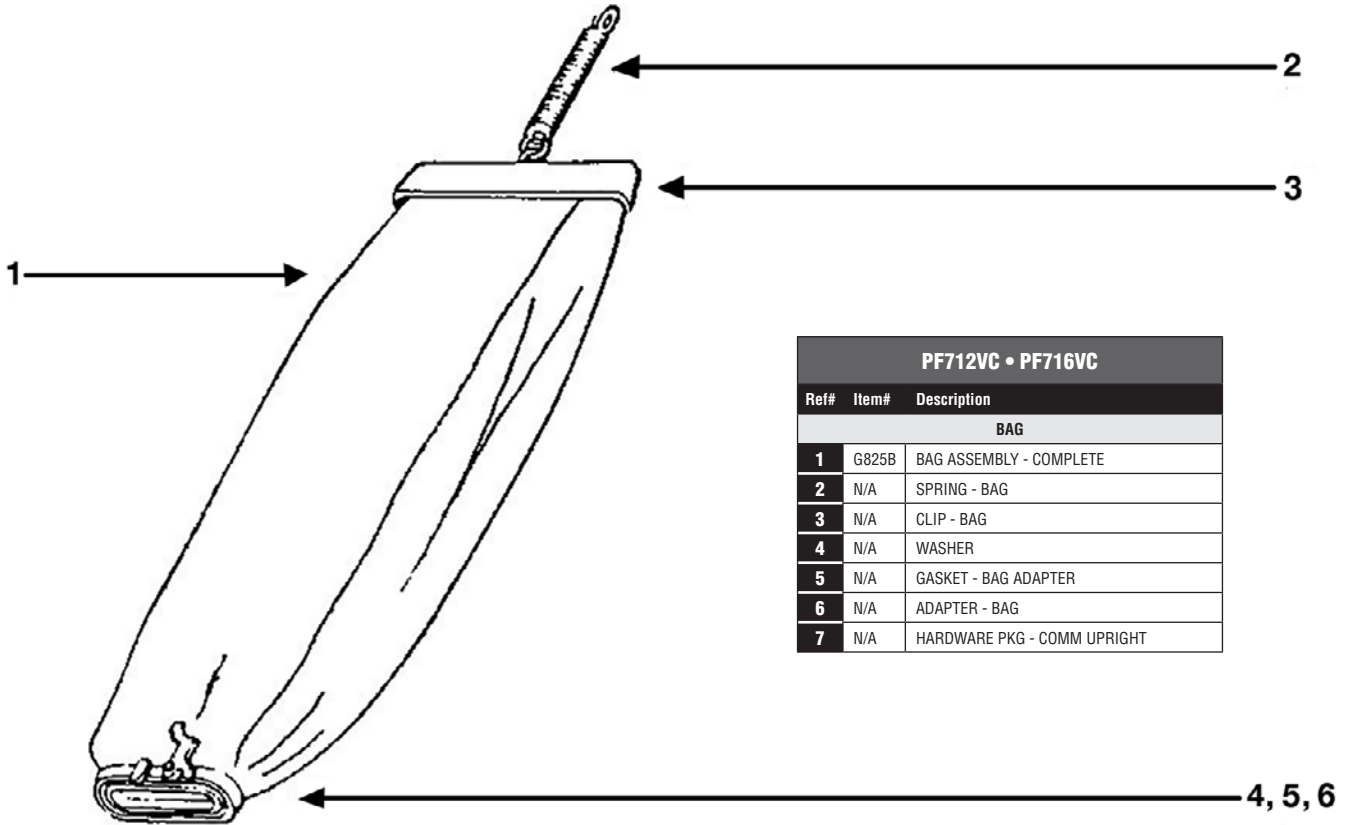
Furniture Guard and Brushroll • PF716DC, PF716VC



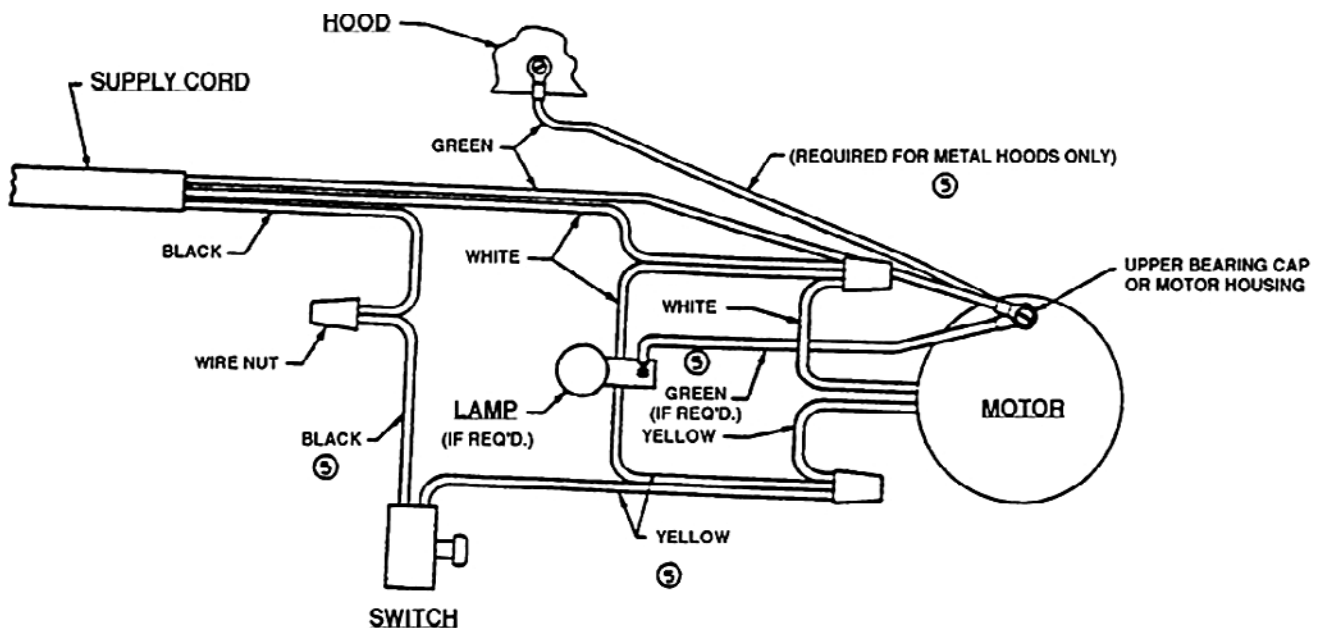
PF716DC • PF716VC		
Ref#	Item#	Description
FURNITURE GUARD AND BRUSHROLL		
1	ER562	GUARD - FURNITURE
2	ER567	AXLE - REAR
3	ER332	AXLE CLAMP - PACKAGED
4		SCREW PACKAGE
5	ER7B	BELT - DRIVE (STYLE RD)
6	N/A	TUBE - DISTURBULATOR
7	ER317	LOCK NUT PACKAGE
8	ER390	CAP - COVER
9	ER398	KLIPRING PACKAGE
10	N/A	SHAFT - DISTURBULATOR
11	ER396	DISTURBULATOR ASSEMBLY
12	X1799	BOTTOM PLATE ASSEMBLY
13	N/A	TAPE - FOAM
14	ER634	BEARING & RETAINER ASSY
15	N/A	CAP - DISTURBULATOR
16	N/A	BEARING & RETAINER ASSY
17	ER223	BRISTLE STRIP PACKAGE
18	ER37	WHEEL - FRONT
19	ER353	AXLE - FRONT
20	ER308	SPRING & AXLE PACKAGE (6)
21	X1800	WHEEL - REAR
NP	ER568	PUSH NUT PACKAGE (10)
NP	ER608	CLIP - FURNITURE GUARD
NP	N/A	SCREW PACKAGE
NP	ER320	WASHER - WHEEL PACKAGE (10)

MODELS - PF712VC, PF716VC

BAG • MODELS - PF712VC, PF716VC



PF712VC • PF716VC		
Ref#	Item#	Description
BAG		
1	G825B	BAG ASSEMBLY - COMPLETE
2	N/A	SPRING - BAG
3	N/A	CLIP - BAG
4	N/A	WASHER
5	N/A	GASKET - BAG ADAPTER
6	N/A	ADAPTER - BAG
7	N/A	HARDWARE PKG - COMM UPRIGHT



36575 WIRING DIAGRAM



NOTES:

POWR-FLITE LIMITED WARRANTY

Powr-Flite will repair or exchange parts for your vacuum in the event of a manufacturing defect as follows:

PARTS: New or comparable rebuilt parts, for one year after original purchase.

LABOR: Carry-in service can be obtained during the warranty period by taking your vacuum to an Authorized Powr-Flite Warranty Service Center.

IMPORTANT WARRANTY CONDITIONS: A purchase receipt or other proof of date of original consumer purchase also will be required before warranty service is rendered.

This warranty covers normal use and does not cover damage which occurs in shipment or failure resulting from alteration, accident, misuse, abuse, neglect, or improper maintenance.

STATEMENT: This warranty is not transferable and extends only to the original purchaser when a new Powr-Flite vacuum is purchased from an Authorized Powr-Fite Dealer. This warranty gives you specific legal rights, and you may have other rights that vary from state to state.

Powr-Flite[®]

A Tacony Company

3101 Wichita Court • Ft. Worth, TX 76140-1755
1-800-880-2913 • Fax: 1-817-551-0719 • www.Powr-Flite.com