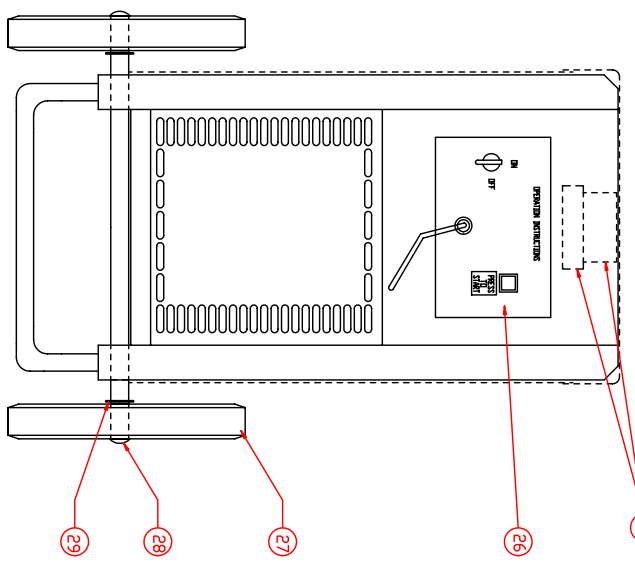
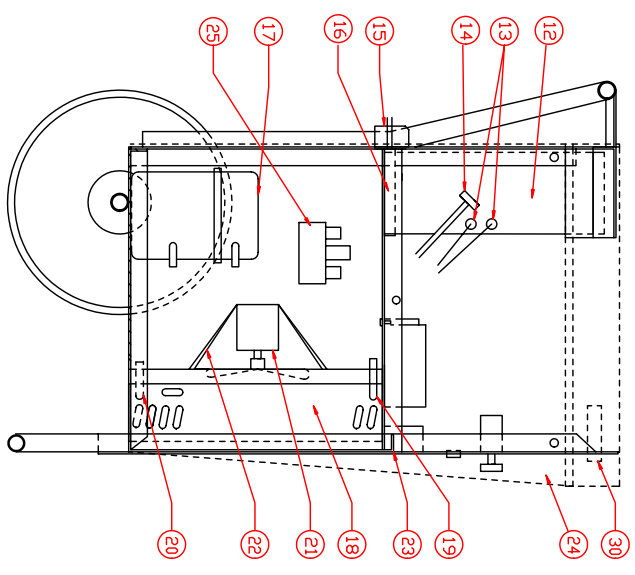
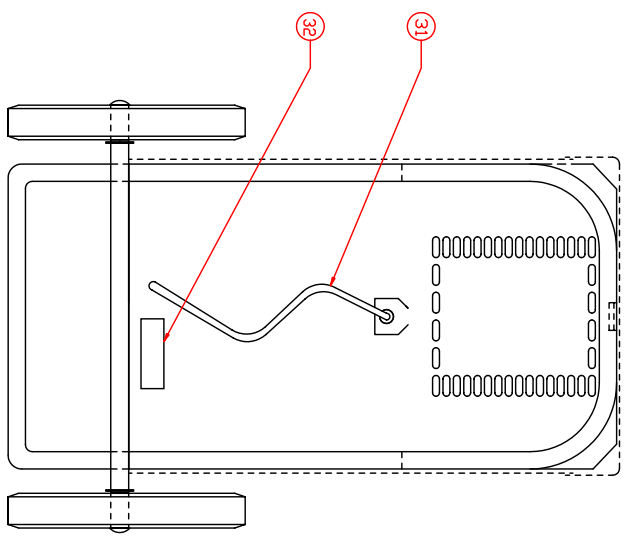
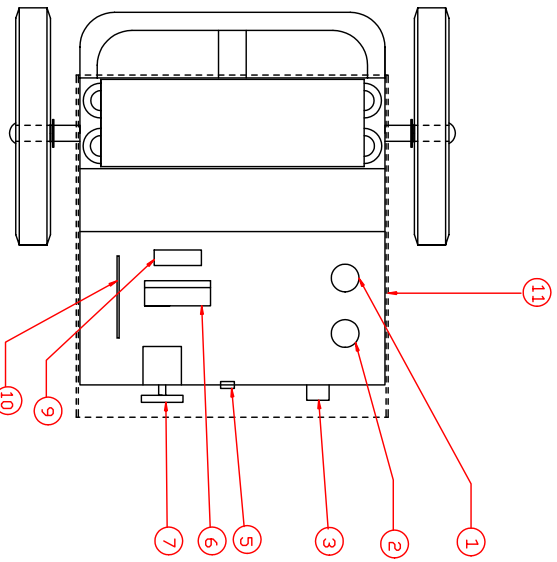


ISSUE	DATE	REVISIONS
1	27/04/94	ORIGINAL



No	DESCRIPTION	QTY
1	START CAPACITOR	1
2	RUN CAPACITOR	1
3	PUSH BUTTON	1
4	CABLE HOLE	1
5	CONTACT	1
6	RELAY SWITCH	1
7	PERMANENT BLOCK	1
8	TOP COVER	1
9	EVAPORATOR COIL	1
10	EVAPORATOR DUT	1
11	SHIELD	1
12	DRAIN TRAY	1
13	COMPRESSOR COIL	1
14	CONDENSER IN	1
15	CONDENSER OUT	1
16	FAN MOTOR	1
17	FIXING BRACKET	1
18	CHASSIS ASSEMBLY	1
19	SHUT-OFF VALVE	1
20	REPAIRING LABEL	1
21	WATER TUBE	1
22	STARLOCK WASHER CAP	1
23	EAC LOGO	1
24	WATER LOGO	1
25	STARLOCK WASHER CAP	1
26	WATER LOGO	1
27	STARLOCK WASHER CAP	1
28	WATER LOGO	1
29	STARLOCK WASHER CAP	1
30	WATER LOGO	1
31	STARLOCK WASHER CAP	1
32	WATER LOGO	1
33	STARLOCK WASHER CAP	1

**380** **LIMITED**  
 BUILDING BREAKER  
 150

**380** ANGLE PROJECTION  
 IN THE SCALE  
 IF THE DRAWING ASK

**380** DIMENSIONS IN mm  
 UNLESS OTHERWISE STATED  
 100 1 025  
 1000 1 025  
 10000 1 025

**380** FINISH  
 UNLESS OTHERWISE STATED

**380** DRAWN BY: MICHAEL DAMM  
 CAD SCALE: 1/4

**380** SHEET  
 1 OF 1

**380** 1024500

**380** TITLE: BUILDING BREAKER 150

**380** MATERIAL: UNLESS OTHERWISE STATED

**380** FINISH: UNLESS OTHERWISE STATED

**380** DRAWN BY: MICHAEL DAMM  
 CAD SCALE: 1/4

**380** SHEET  
 1 OF 1

**380** 1024500