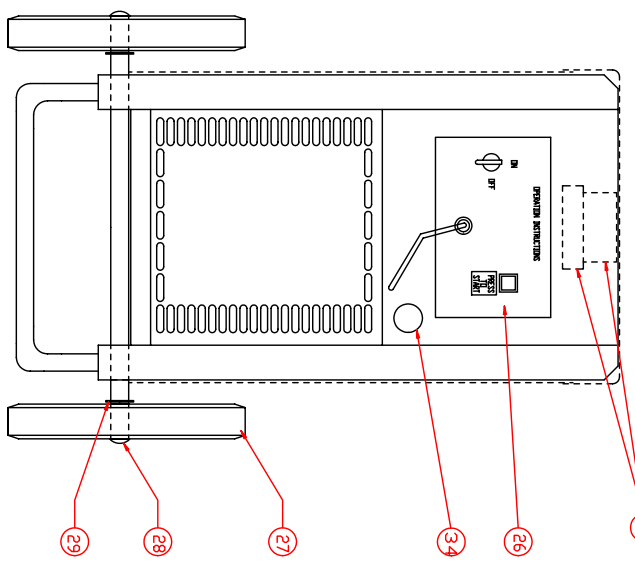
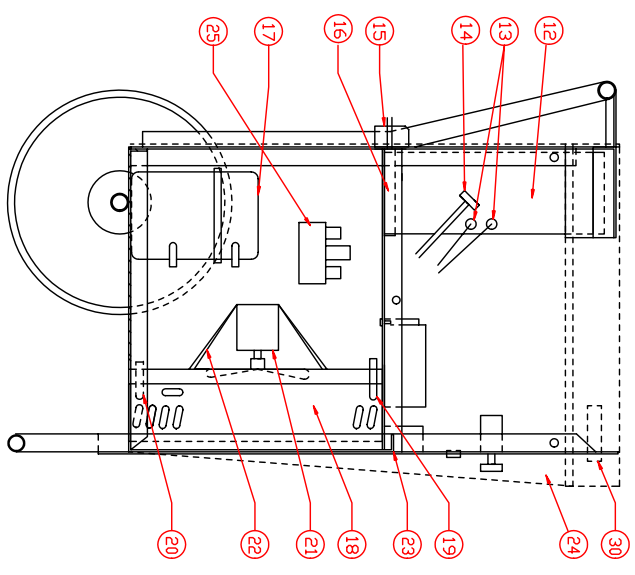
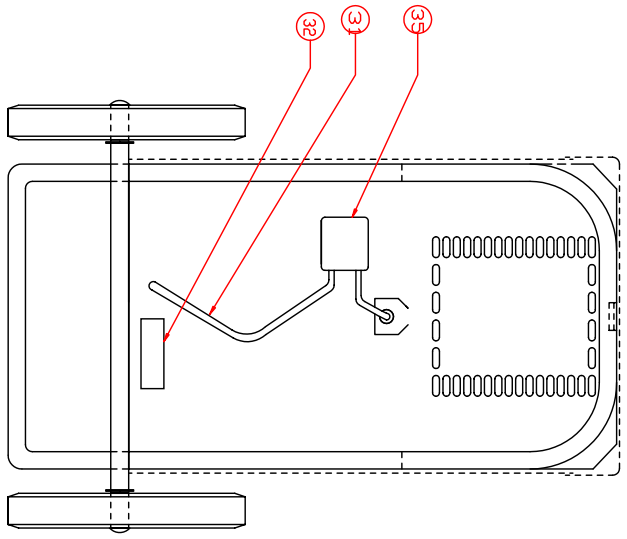
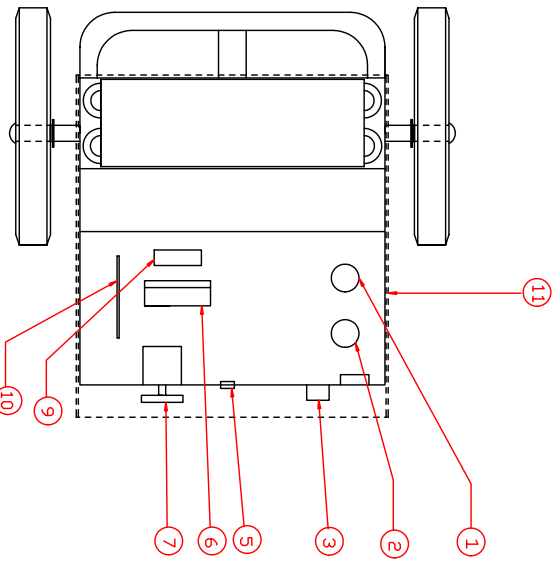


ISSUE	DATE	REVISIONS
1	27/04/94	ORIGINAL



No	DESCRIPTION	QTY
1	START CAPACITOR	1
2	RUN CAPACITOR	1
3	PUSH BUTTON	1
4	CABLE HOLE	1
5	CONTACT	1
6	RELAY SWITCH	1
7	PERMANENT BLOCK	1
8	TOP COVER	1
9	EVAPORATOR COIL	1
10	EVAPORATOR INLET	1
11	EVAPORATOR OUTLET	1
12	SHIELD	1
13	DRAIN TRAY	1
14	COMPRESSOR COIL	1
15	CONDENSER INLET	1
16	CONDENSER OUTLET	1
17	FAN MOTOR	1
18	FIXING BRACKET	1
19	CHASSIS ASSEMBLY	1
20	SHUT-OFF VALVE	1
21	REPAIRING LABEL	1
22	WATER WASHING LABEL	1
23	STARLOCK WASHER CAP	1
24	STARLOCK WASHER PUMP	1
25	STARLOCK WASHER CAP	1
26	STARLOCK WASHER PUMP	1
27	STARLOCK WASHER CAP	1
28	STARLOCK WASHER PUMP	1
29	STARLOCK WASHER CAP	1
30	STARLOCK WASHER PUMP	1
31	STARLOCK WASHER CAP	1
32	STARLOCK WASHER PUMP	1
33	STARLOCK WASHER CAP	1
34	STARLOCK WASHER PUMP	1

EPCC LIMITED
 BUILDING BREAKER
 150

TITLE: BUILDING BREAKER
 DRAWN BY: MICHAEL BARN
 FINISH: 1025000
 SHEET 1 OF 1

30° ANGLE PROJECTION
 DIMENSIONS IN mm
 DIMENSIONS IN INCHES STATED OTHERWISE

1:100
 1:100
 1:100

FOR NOT SCALE
 IF IN DOUBT ASK