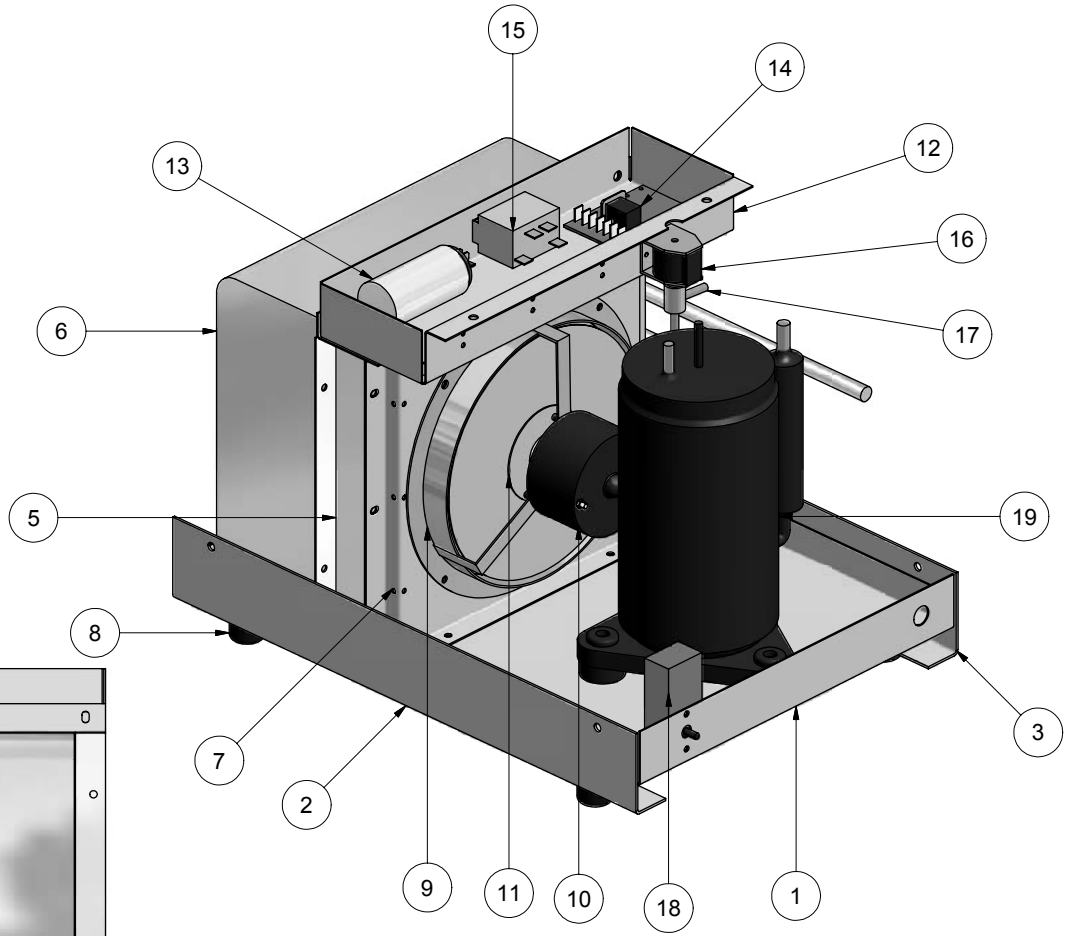
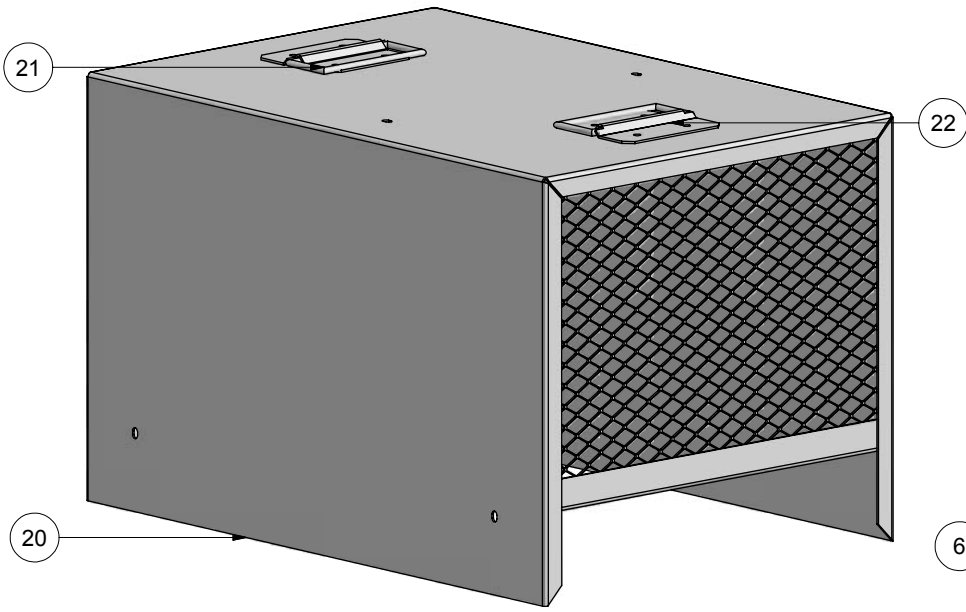
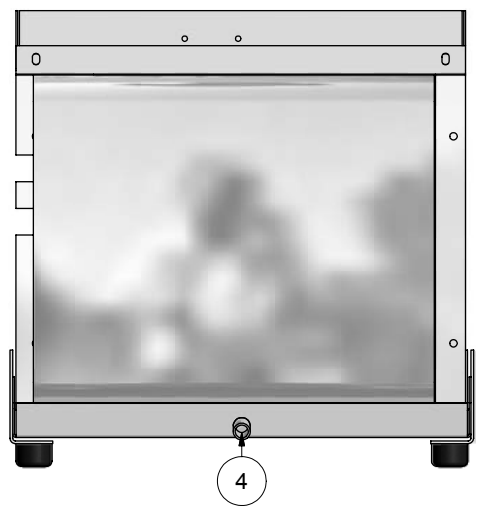

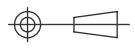


ISS.	DATE	COMMENTS
1	12/07/04	ORIGINAL



Parts List		
ITEM	QTY	DESCRIPTION
1	1	Base
2	1	Left Base Support
3	1	Right Base Support
4	1	Drain Pipe
5	1	Condenser
6	1	Evaporator Coil
7	1	Fan Housing
8	4	Rubber Foot
9	1	Fan Inlet Ring
10	1	Fan Motor
11	1	Fan Blade
12	1	Electrical Box
13	1	Capacitor
14	1	Timer
15	1	Relay
16	1	Solenoid Coil
17	1	Solenoid Valve
18	1	Humidistat
19	1	Compressor
20	1	Cover
21	1	Handle
22	1	Handle Support



 LIMITED BISHOP AUCKLAND ENGLAND	TITLE CS60 GENERAL ASSEMBLY	
	MATERIAL VARIOUS	DRAWN : C LILLY
3RD ANGLE PROJECTION  DO NOT SCALE IF IN DOUBT ASK	DIMENSIONS IN m.m. TOLERANCES UNLESS OTHERWISE STATED 0. ± 1 0.0 ± 0.25 0.00 ± 0.05 ANGULAR ± 0.5 DEGREE	
	FINISH	DRG.NO. 10264CS-US
		SHEET 1 OF 1