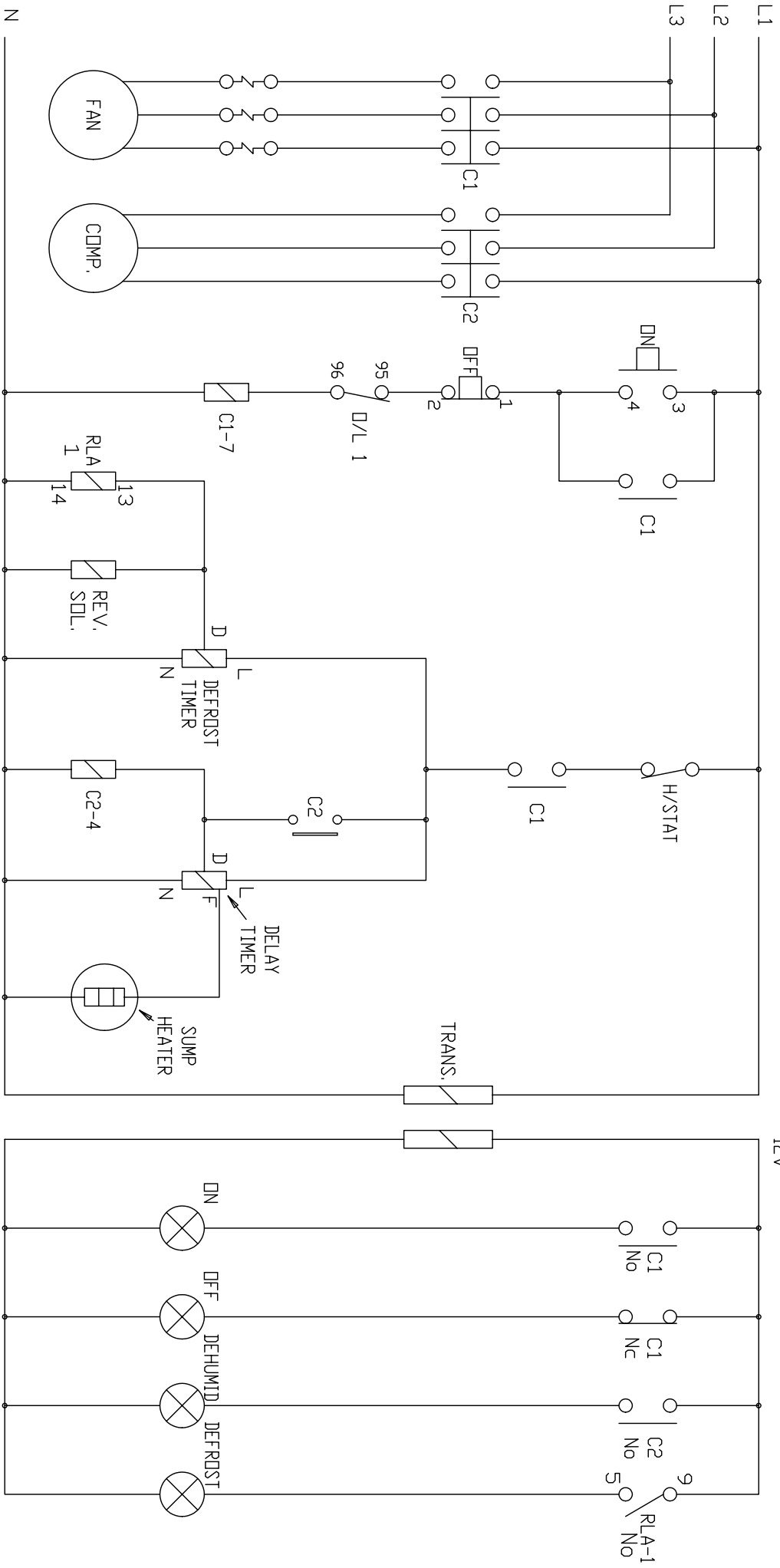


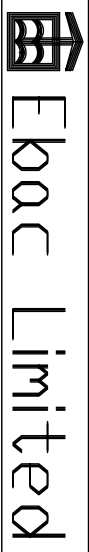
3RD ANGLE PROJECTION



DRG. NO. 5020103



DRAWN	P.D. THOMPSON			ISS.	1	2	3	TITLE		SECURITY CLASSIFICATION	
CHECKED				DATE	14-05-87	17-06-87	22-9-87	SCHEMATIC WIRING DIAGRAM FOR		5020103	
APPROVED								CD425 WITH INTERNAL CONTROLS			
SCALE	N.T.S.			C/N		CS	S.T.H.				
INSPECTION PROCEDURE				MATERIAL				FINISH			
								TOLERANCE UNLESS STATED			
								DIMENSIONS IN m.m.			



SECURITY CLASSIFICATION

DRG. NO.

5020103

A 3