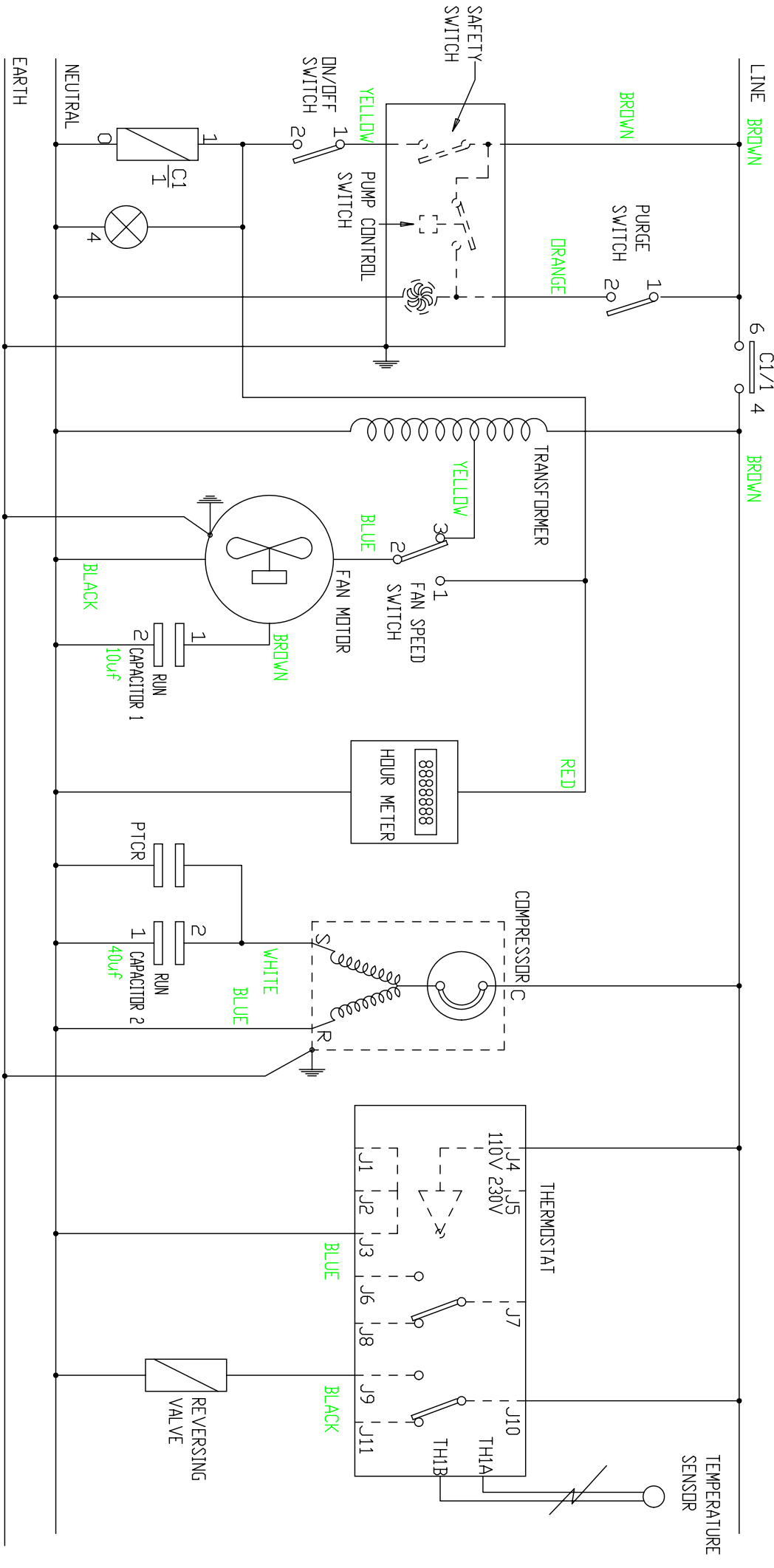
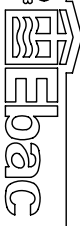


ISSUE	DATE	AMENDMENTS
1	12/05/98	ORIGINAL
2	10/08/98	CHANGED AS MARKED UP - MTD
3	16/10/98	PTCR ADDED - MTD





1993
LIMITED
BRIDGE AUCKLAND
ENGLAND

TITLE
WIRING SCHEMATIC
DR01N - USA 115V 60HZ

MATERIAL
DRAWN: JG LAVERICK
CAD SCALE: 1/1

FINISH
DRC:ND
5020239

3RD ANGLE PROJECTION
DO NOT SCALE
IF IN DOUBT ASK

DIMENSIONS IN mm
TOLERANCES UNLESS
OTHERWISE STATED

± 0.25
± 0.05
ANGULAR: 0.5 DEGREE