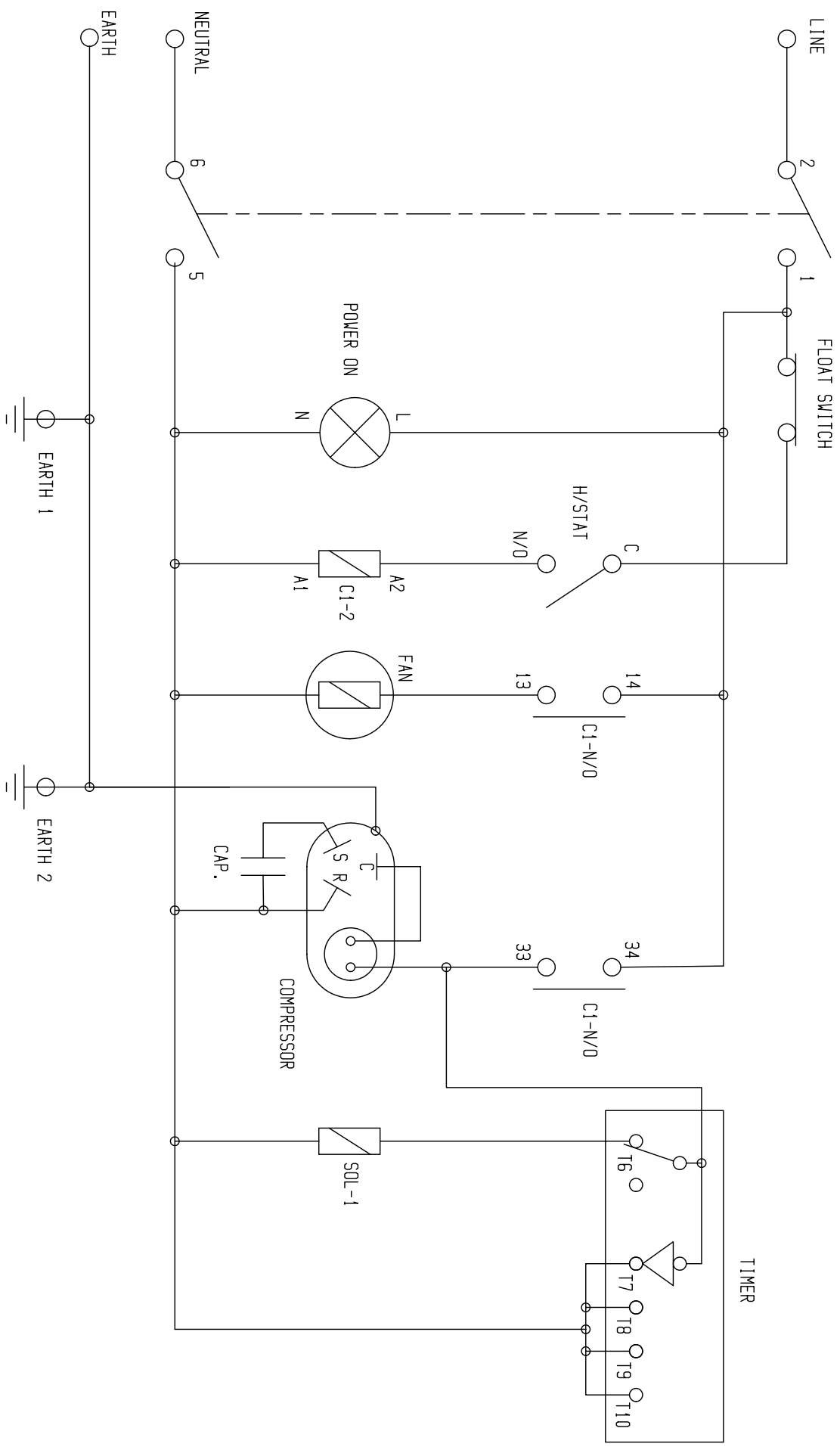


ROTARY SWITCH

3RD ANGLE PROJECTION



DRAWN: E. SBAURY		ISS. 5 6		SECURITY CLASSIFICATION	
CHECKED	DATE 06.06.90	02.05.91			
APPROVED					
SCALE	C/N	1977			
INSPECTION PROCEDURE		MATERIAL		FINISH	
				TOLERANCE UNLESS STATED	
				DIMENSIONS IN m.m.	
Ekac Limited			TITLE		
			WIRING SCHEMATIC FOR		
			CD100		
			DRG. NO. 5020123		
			A 3		