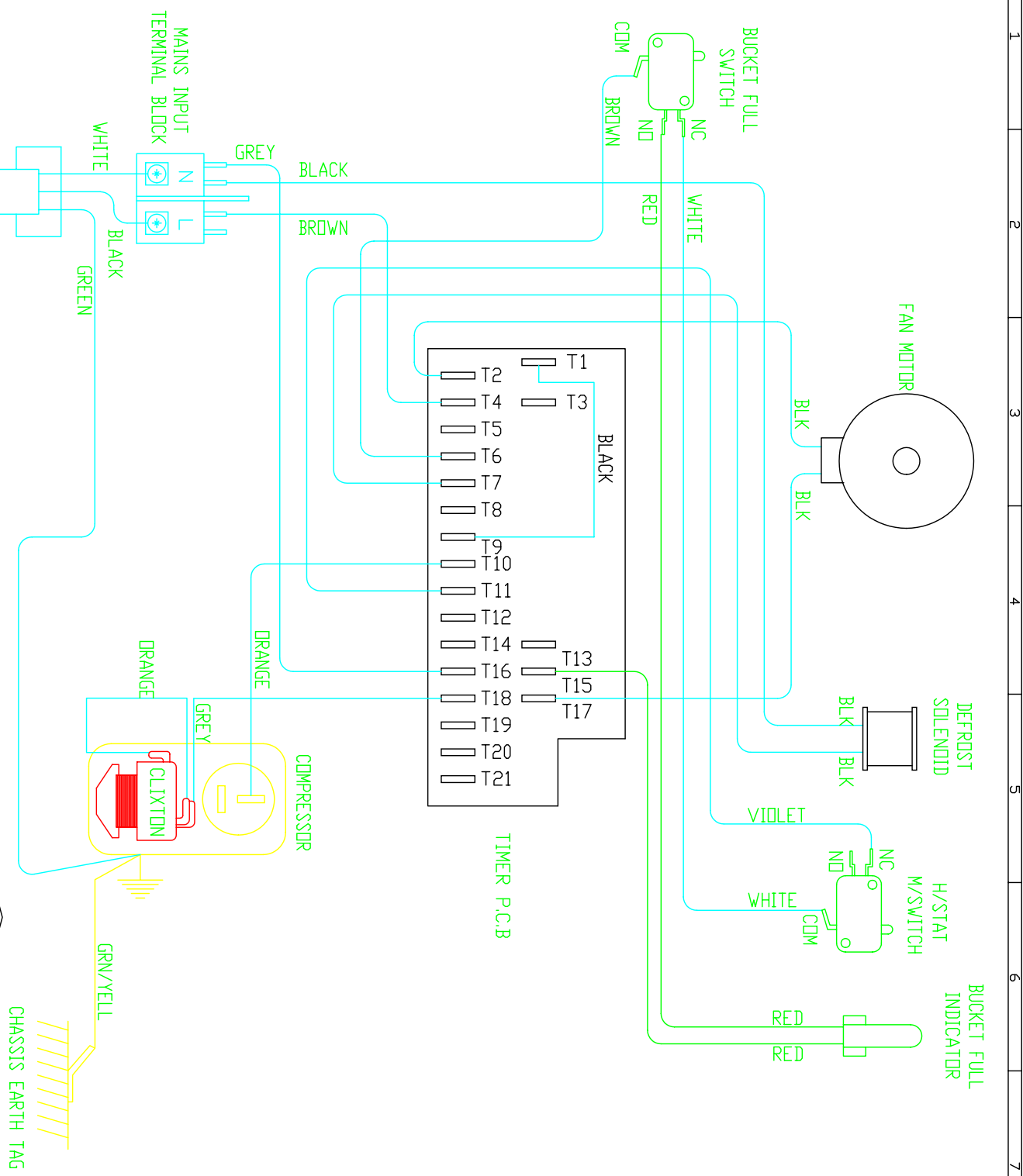


ISSUE	DATE	AMENDMENTS
3	06-04-94	REDRAWN. SEE CHN No. 7287
4	14-06-94	CHANGE COMPRESSOR TO A SIDCM, REVERSE INPUT BLOCK
5	25-09-95	CHESS - COMPRESSOR DRAWING CHANGED AND LINK ADDED



1993 Edgec
 ERAC LIMITED
 BRIDGE ROAD
 BUCKLAND
 ENGLAND

3RD ANGLE PROJECTION
 DO NOT SCALE
 IF IN DOUBT ASK

DIMENSIONS IN mm
 TOLERANCES UNLESS OTHERWISE STATED

0	± 1
0.0	± 0.25
0.00	± 0.05
ANGULAR	± 0.5 DEGREE

TITLE WIRING DIAGRAM FOR C135
 110V 60Hz U.S.A.

MATERIAL DRAWN: GELSPURY
 CAD SCALE: 1:1
 FINISH DRC:ND

SHEET 5012105
 1 OF 1