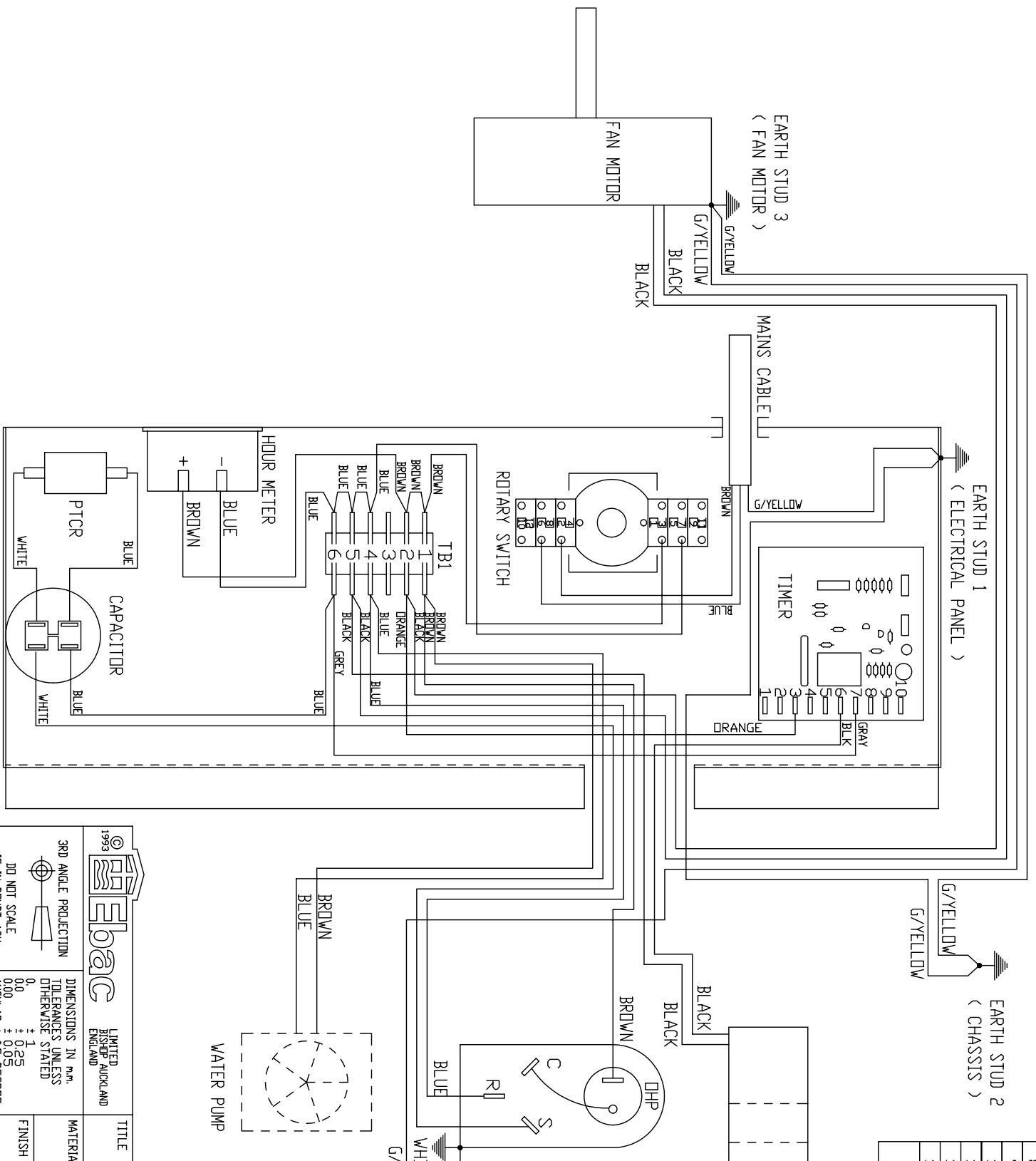


ISSUE	DATE	AMENDMENTS
8	18.10.95	REMOVE START CIRCUIT - JGL
9	30.10.95	CHESS - ROTATE SWITCH 90 - JDJ
10	24/10/96	WIRING CHANGED DN ROTARY SWITCH/WATER PUMP - MTD
11	14/10/98	HOURMETER AND PTCR ADDED - MTD
12	7/10/03	COLORS ADDED - WDA
13	5/11/03	T/B FOR PUMP REMOVED - WDA



NOTE :- HOUR METER AND PUMP ARE FITTED BY EBAC SYSTEMS

1993
LIMITED
BRISBANE AUSTRALIA
ENGLAND

TITLE
WIRING DIAGRAM
BUILDING DRYER - SERVPRO

MATERIAL

FINISH

3RD ANGLE PROJECTION
DO NOT SCALE
IF IN DOUBT ASK

DIMENSIONS IN mm
TOLERANCES UNLESS OTHERWISE STATED

0
0.00
0.05
ANGULAR ± 0.5 DEGREE

DRAWN: JG LAVERICK
CAD SCALE: 1/2

DRAWN: JG LAVERICK
CAD SCALE: 1/2

SHEET
1 OF 1