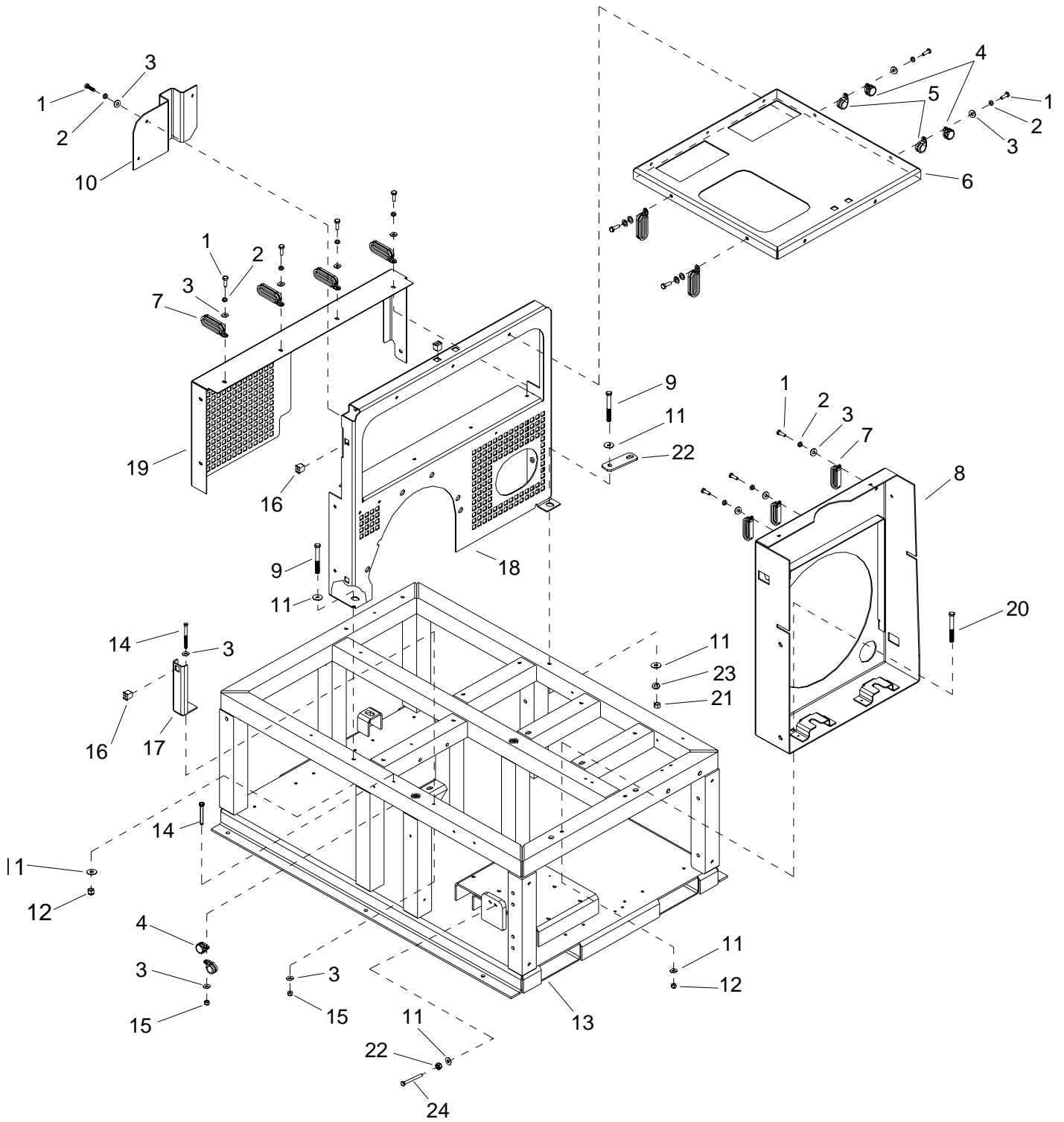




PARTS LIST

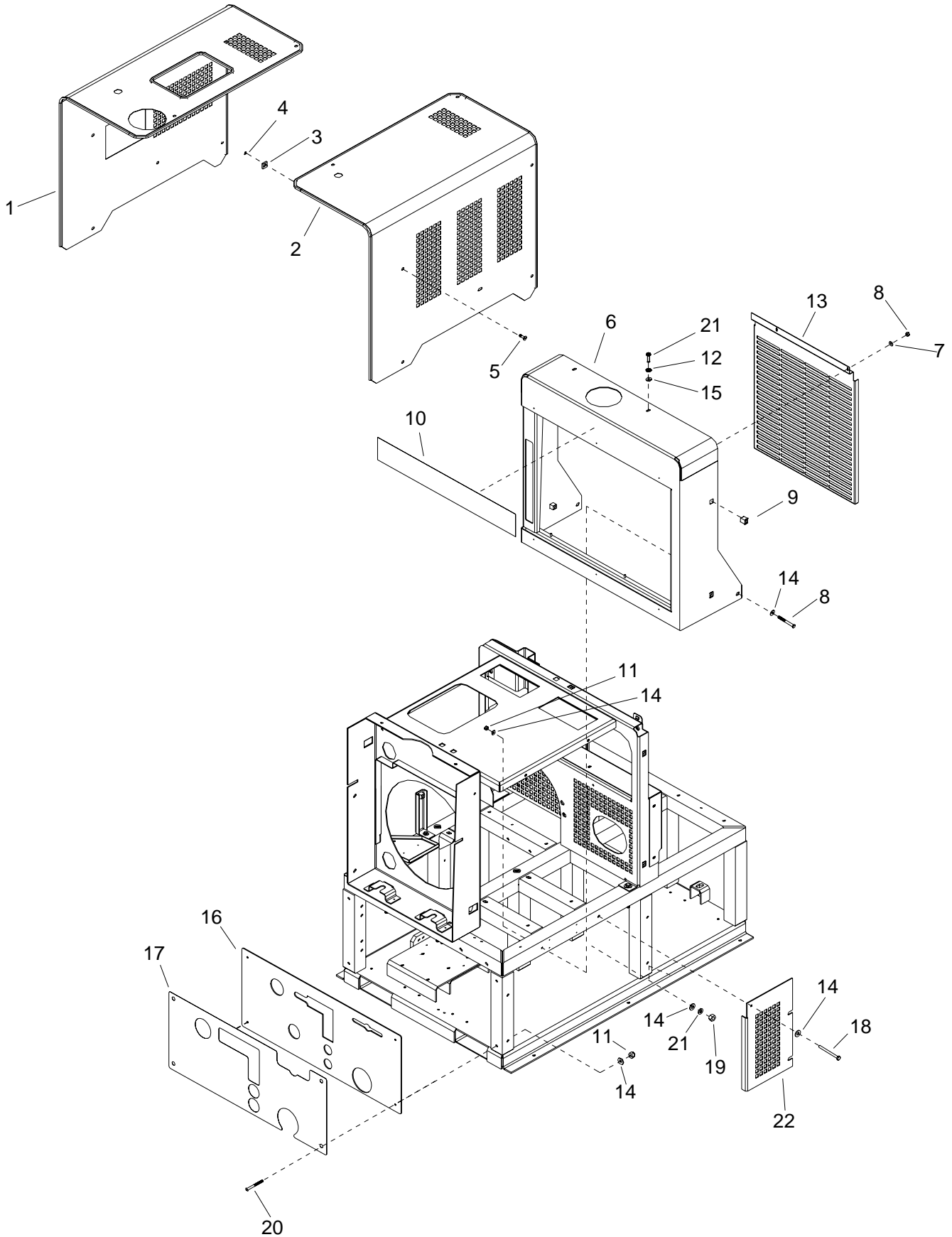
FRAMEWORK



FRAMEWORK

REF	PART NO.	QTY	DESCRIPTION	SERIAL NO. FROM	NOTES:
1	00-000078	22	SCR, 1/4-20 X 1" HXHD GRD8		
2	87162	22	WASHER, 1/4 SPLIT LOCK PLTD		
3	02-000066	24	FLATWASHER, 1/4		
4	03-000149	2	CLAMP, CABLE 1-1/4 ID 5/16 BLT		
5	80887	2	CLAMP, 7/8 DIA "P" CUSHIONED		
6	790763	1	PNL, CNTR HOOD BRKT, ZEEMS		
7	03-000266	9	CLMP, FUEL LINE 5/16 X 1/4B		
8	790764	1	TB, HELICOIL MTG		
9	70069	2	SCR, 3/8-16 X 3 HHCS GR5		
10	790767	1	ASSEMBLY, 04 FUEL PICKUP TUBE		
11	87171	5	WASHER, 3/8 FLAT		
12	57119	6	NUT, 3/8-16 HEX NYLOCK		
13	790793	1	ASSY, FRAME, EVRST/PEAK/ULTRA		
14	00-000286	2	SCR, CAP 1/4-20 X 2.75 HXHD		
15	57047	2	NUT, 1/4-20 HEX NYLOCK		
16	01-000259	9	RECPT, SNAPIN 1/4 TURNFAST		
17	790135	1	BRKT, LEFT HOOD		
18	790762	1	PNL, REAR ENGINE/HOOD MTG		
19	790010	1	PNL, BELT GUARD, REAR		
20	70824	2	SCR, 3/8-16 X 2.75 CARRIAGE PL		
21	57111	2	NUT, 3/8 HEX		
22	790811	1	PLT, CAT SUPPORT		
23	87163	1	WASHER, 3/8 SPLIT LOCK		

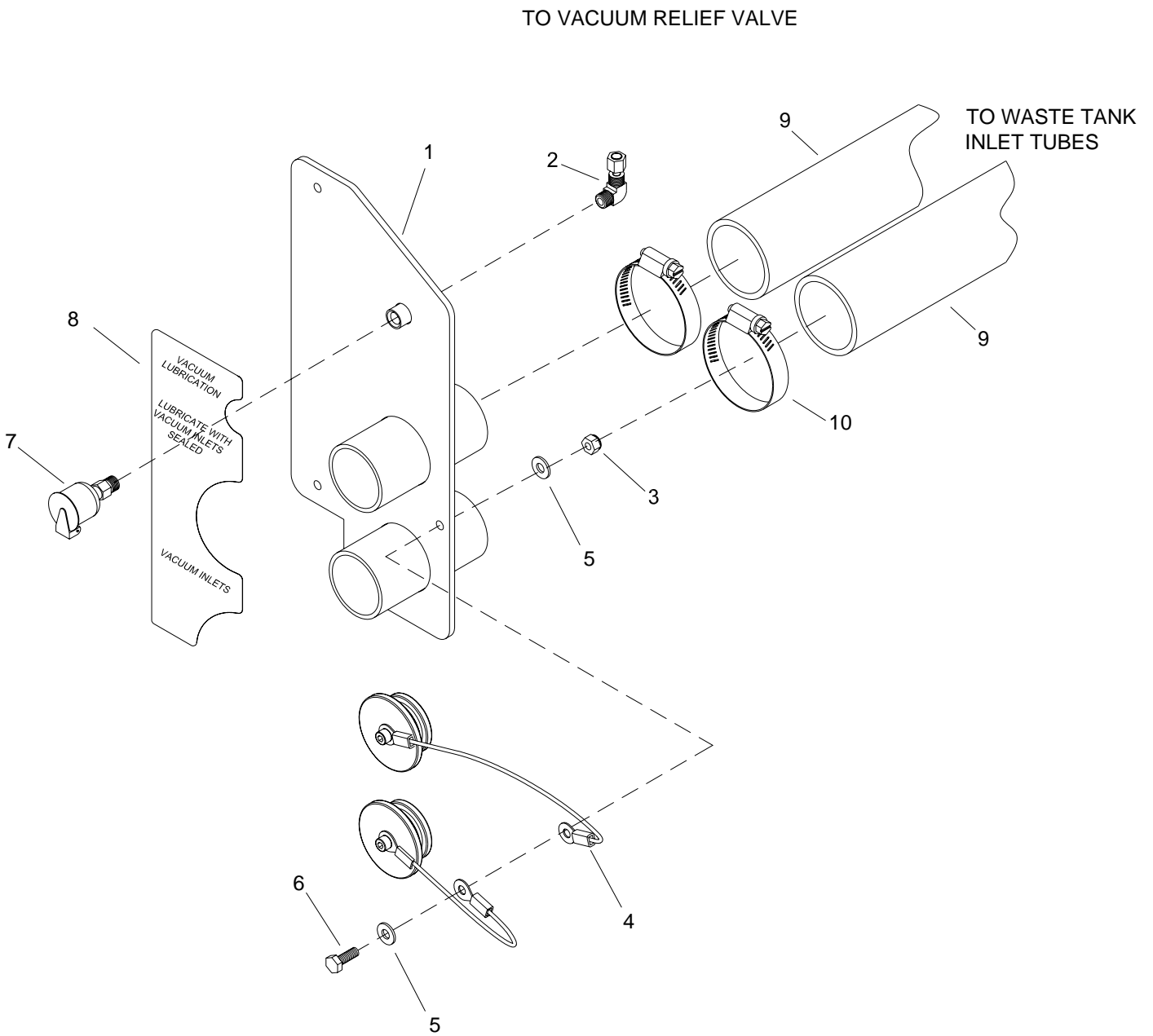
FRAMEWORK



FRAMEWORK

REF	PART NO.	QTY	DESCRIPTION	SERIAL NO. FROM	NOTES:
1	790817	1	ASSY, LEFT HOOD EFI		
2	790818	1	ASSY, RIGHT HOOD, EFI		
3	58-700023	16	PAD, 1/4 TURN FAST, .188 THK		
4	02-000268	16	SPLITRING, RETAIN, 1/4 TUR		
5	00-000272	16	STUD, 1/4 TURN FAST #85 OV		
6	790766	1	PNL, FR HD ASS, EVRST EFI		
7	87139	2	WASHER, 3/16 FLAT		
8	57090	2	NUT, 10-32 HEX NYLOCK SS		
9	01-000259	10	RECPT, SNAPIN 1/4 TURNFAST		
10A	500697	1	LABEL, FT HOOD		LP ONLY
10B	500698	1	LABEL, FT HOOD HP		HP ONLY
11	57047	5	NUT, 1/4-20 HEX NYLOCK		
12	58-700023	1	PAD, 1/4 TURN VIBR		
13	790883	1	PNL, GRILLE, EVEREST, EFI		
14	02-000066	4	FLATWASHER, 1/4		
15	87172	4	WASHER, 1/4 ID FLAT BLK		
16A	790867	1	PNL, LOWER FRONT, EFI LP		LP ONLY
16B	790866	1	PNL, LOWER FRONT EFI HP		HP ONLY
17A	790820	1	DEC, LWR FR PNL, LP EFI		LP ONLY
17B	790819	1	DEC, LWR FR PNL, HP EFI		HP ONLY
18	73698	1	SPACER, 0.50 X 0.28ID X 0.38L NYL		
19	70489	1	SCR, 1/4-20 X 1.0 BH BLK PLATE		
20	790465	4	SCR, 1/4-20 X 2.75 BHCS BLK		
21	790551	1	PLT, HIGH PRESSURE LCK		HP ONLY
22	80887	2	CLAMP, 7/8" DIA "P" CUSHIONED		
23	00-000286	1	SCR, CAP 1/4-20 X 2.75 HXHD		
24	57006	1	NUT, 1/4-20 HEX		
25	790804	1	GUARD, CATALYST ZEEMS		
26	87162	1	WASHER, 1/4 SPLIT LOCK PLTD		

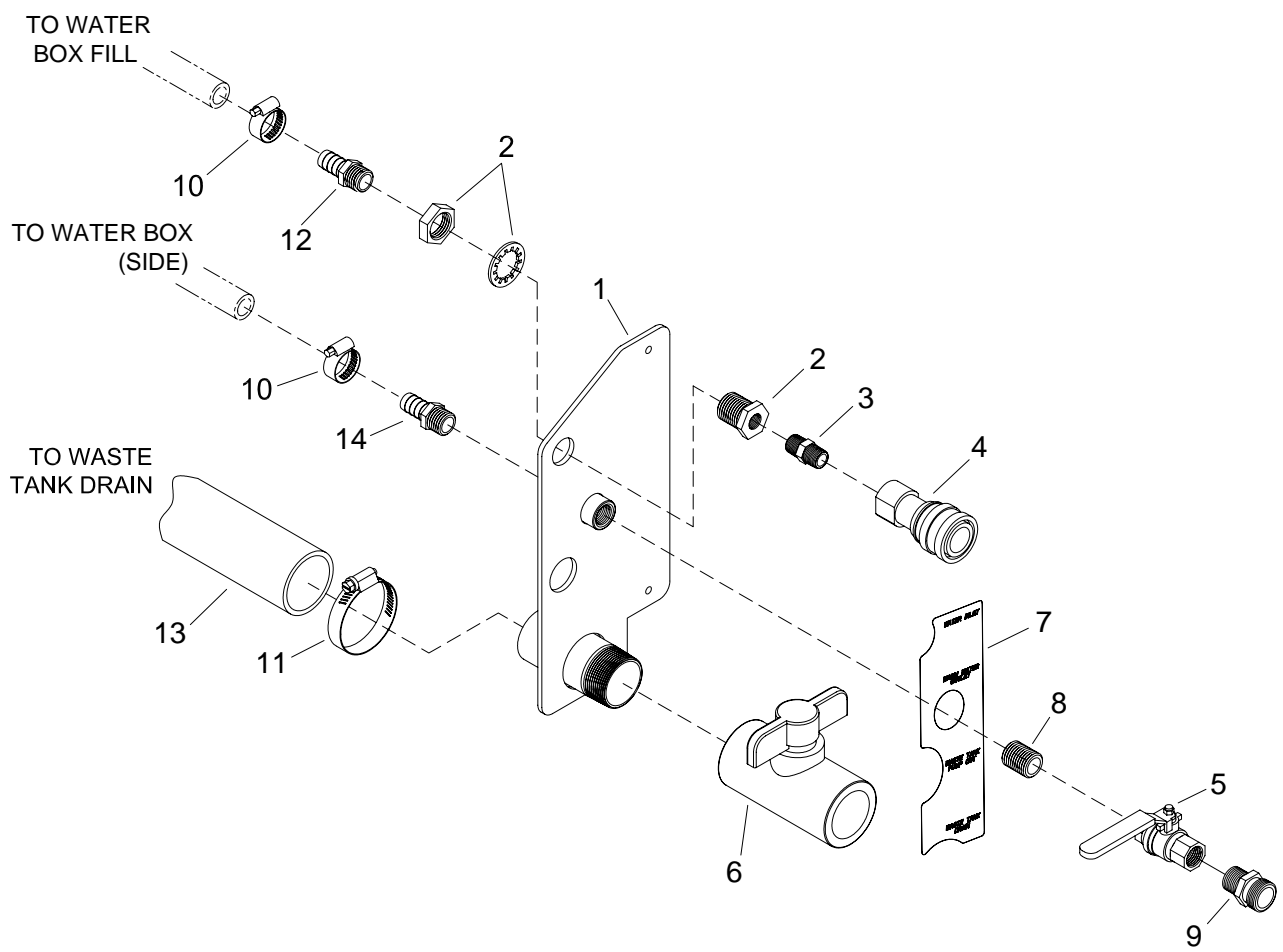
SIDE PANEL, RIGHT



SIDE PANEL, RIGHT

REF	PART NO.	QTY	DESCRIPTION	SERIAL NO. FROM	NOTES:
1	790430	1	BRKT, VAC INLET		
2	12-800099	1	ELL, 1/8P X 1/4 POLY BR		
3	57047	1	NUT, 1/4-20 HEX NYLOCK		
4	66-945236	2	KIT, VAC INL PLG		
5	02-000066	2	FLATWASHER, 1/4		
6	00-000078	1	SCR, 1/4-20 X 1" HXHD GRD8		
7	19-800075	1	CUP, OIL FILL 1/8P		
8	500694	1	LABEL, VAC/WTR INLET		
9	09-805380	2	HOSE, INT VAC 2.0 X 60.0 BLK		
10	03-000054	2	CLMP, HOSE #32 1.5625/2.5 SST		

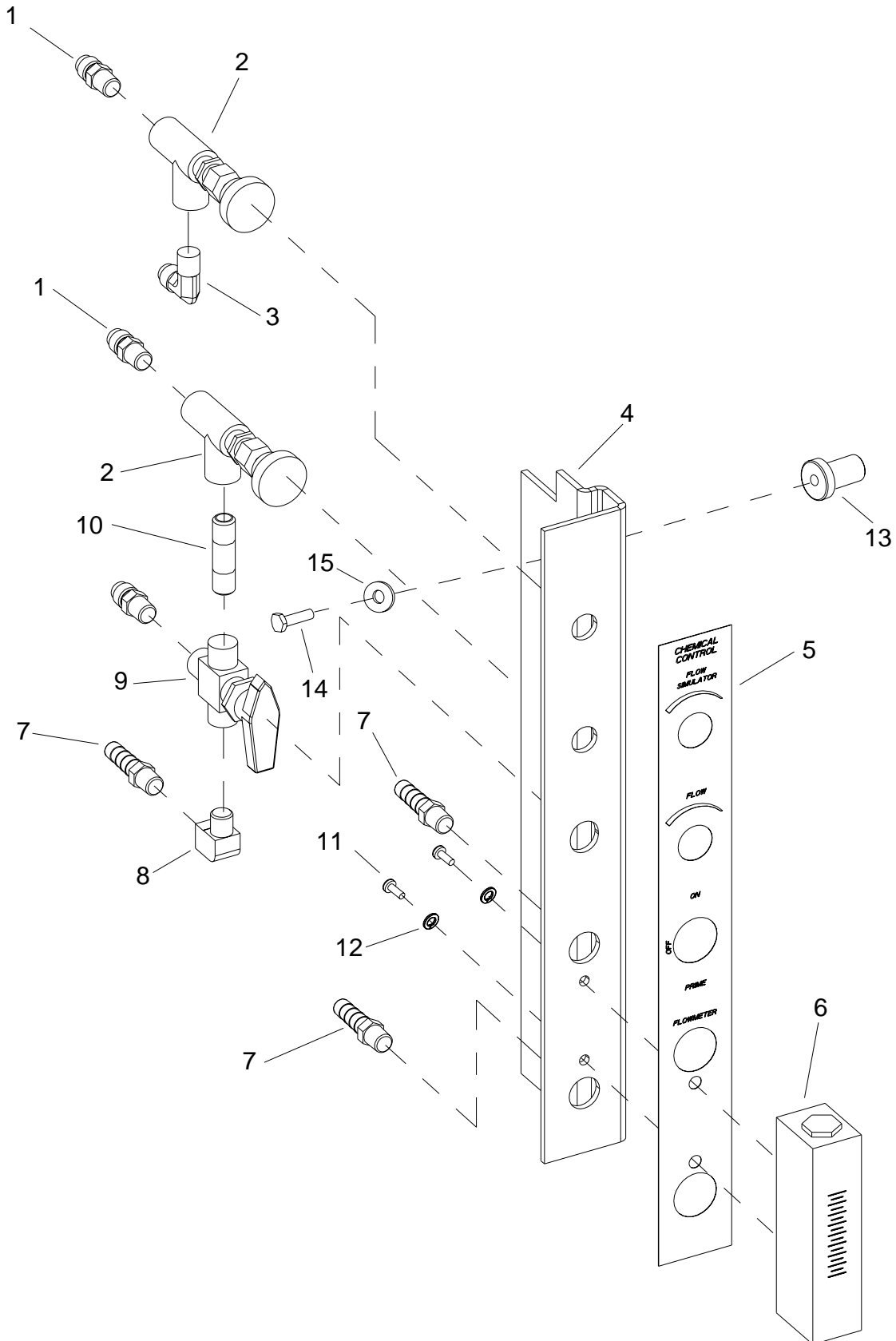
SIDE PANEL, LEFT



SIDE PANEL, LEFT

REF	PART NO.	QTY	DESCRIPTION	SERIAL NO. FROM	NOTES:
1	790431	1	BRKT, WTR INLET		
2	11-800437	1	ADPT, 3/8 BLKHD		
3	11-800102	1	NIP, 3/8 HX BR		
4	13-806008	1	DSC, 3/8F X 3/8FP		
5	15-808008	1	VLV, BALL 1/2FP BS		
6	15-808080	1	VALVE, BALL PVC 1-1/2FP		
7	500694	1	LABEL, VAC/WTR INLET		
8	11-800300	1	NIP, 1/2 X CL		
9	790506	1	ADAPTER, HOSE 1/2M X MGT		
10	03-000176	1	CLAMP, HOSE #16		
11	03-000054	2	CLMP, HOSE #32 1.5625/2.5, SST		
12	12-800345	1	FTTG, BRB 3/8P X 5/8H BR		
13	09-805090	1	HOSE, INT VAC 2.0 X 49.0 BLK		
14	12-800269	1	FTTG, BRB 1/2P X 5/8H BR		

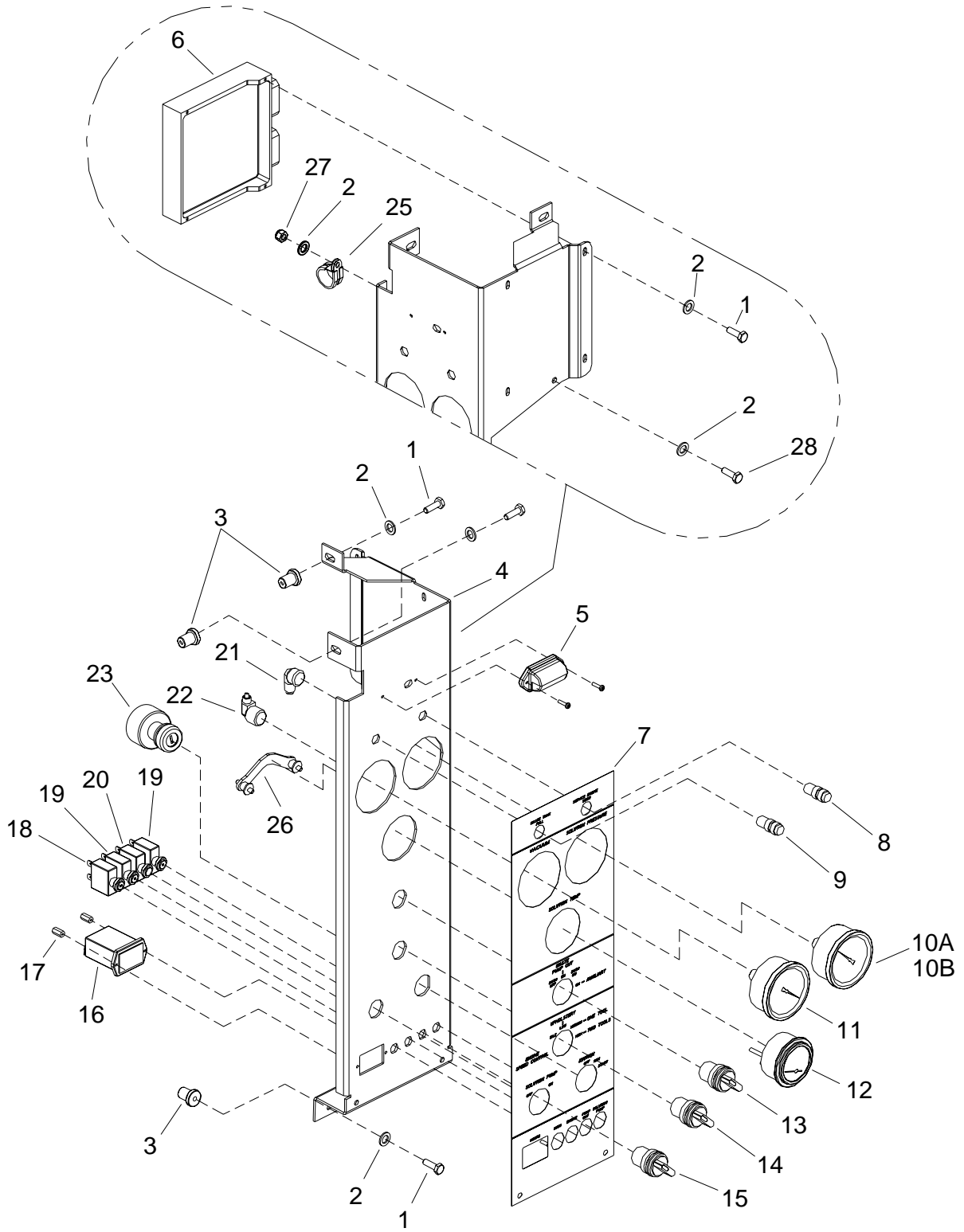
CHEMICAL CONTROL PANEL



CHEMICAL CONTROL PANEL

REF	PART NO.	QTY	DESCRIPTION	SERIAL NO. FROM	NOTES:
-	61384	-	ASSY, CHEM CONTRL PNL		COMPLETE
1	12-800065	3	CONN, 1/8P X 1/4T		
2	15-808106	2	VALVE, METER 1/8FP		
3	12-800040	1	ELL, 1/8P X 1/4T BR		
4	61397	1	PNL, CHEMICAL CONTROL		
5	500692	1	LABEL, CHEM CNTRL PN		
6	18-808513	1	FLOWMETER 1/8 FP		
7	12-800093	3	FTG, BRB 1/8P X 5/16H		
8	11-800014	1	ELL, STREET 1/8 BR		
9	15-808022	1	VALVE, 3-WAY BALL 1/8FP		
10	56032	1	NIPPLE, 1/8 CLOSE		
11	70162	2	SCR, 10-32 X 3/8 PPHMS SS		
12	87165	2	WASHER, #10 SPLIT LOCK		
13	790464	2	NUT, WELL 1/4-20 HD		
14	00-000078	2	SCR, 1/4-20 X 1" HXHD GRD8		
15	02-000066	2	FLATWASHER, 1/4		

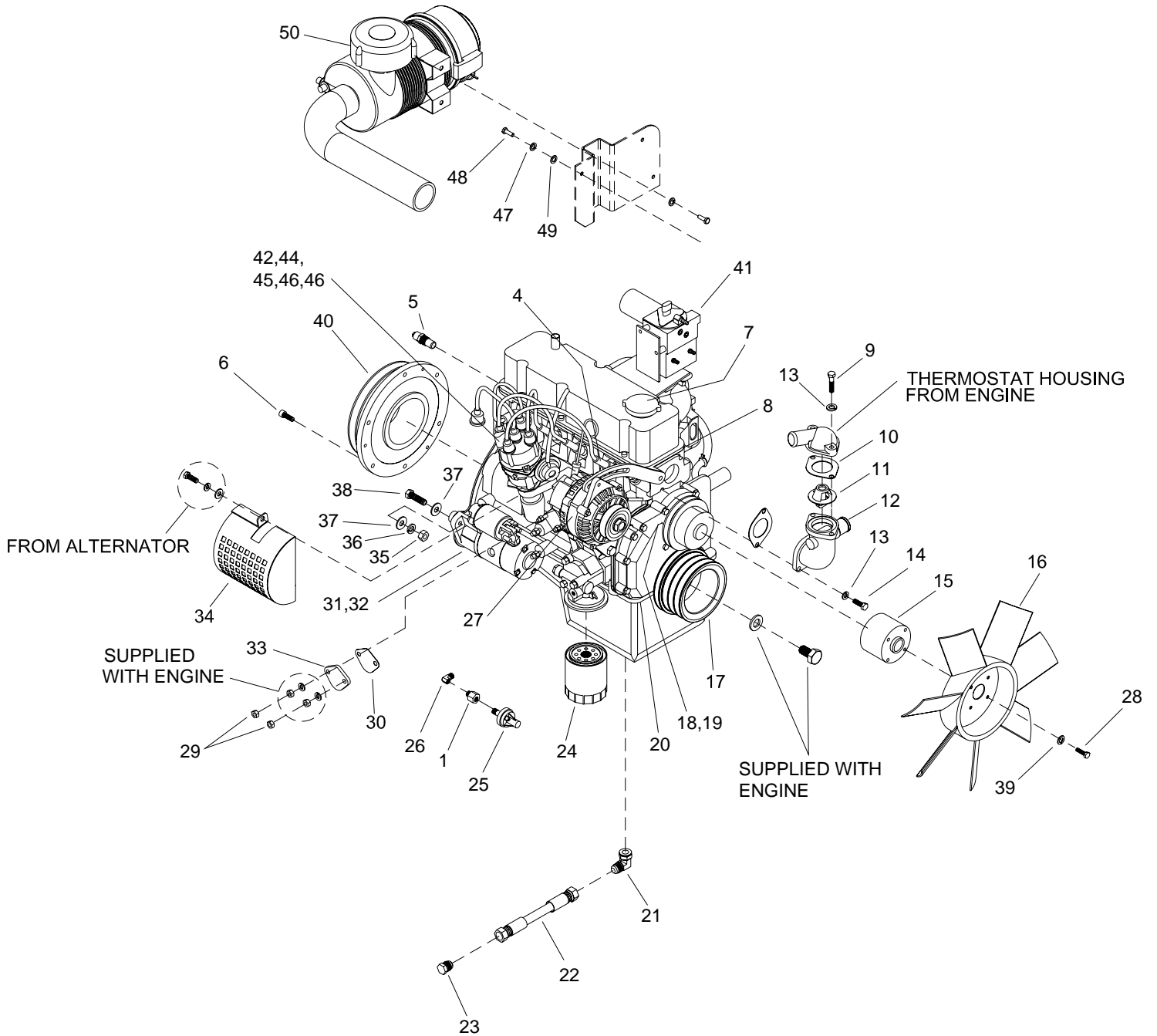
CONTROL PANEL-PP-PHP



CONTROL PANEL-PP-PPHP

REF	PART NO.	QTY	DESCRIPTION	SERIAL NO. FROM	NOTES:
-	790796	1	ASSY, INS PNL EVEREST EFI, LP		LP COMPLETE
-	790795	-	ASSY, INS PNL EVEREST EFI HP		HP COMPLETE
1	00-000078	2	SCR, 1/4-20 X 1" HXHD GRD8		
2	02-000066	4	FLATWASHER, 1/4		
3	790464	4	NUT, WELL 1/4-20 HD		
4	790768	1	PNL, INSTRUMENT, ZEEMS		
5	34-903026	1	LT, INST		
6	790788	1	ECU, NISSAN, A15, EFI		
7	790799	1	LBL, INS PANEL, ZEEMS		
8	790787	1	LIGHT, WARN, AMBER, IDEC		
9	51387	1	LIGHT, WARNING, IDEC AP2M		
10A	36225	1	GAUGE, 0-1500 PSI		LP ONLY
10B	36226	1	GAUGE, 0-4000 PSI		HP ONLY
11	36227	1	GAUGE, VACUUM 30" HG		
12	36229	1	GAUGE, TEMP, DATCON		
13	730202	1	SWITCH, 4-WAY		
14	790777	1	SWITCH, 4-WAY, SPEED CNTRL		
15	32-900205	1	SW, RTRY NON-ILLUM TM		
16	54092	1	METER, 0-60VDC HOUR		
17	73811	2	STANDOFF, 6-32 X 1/2 HEX NYL		
18	140625	1	BRKR, CIRCUIT 30A		
19	140624	2	BRKR, CIRCUIT, 15A		
20	33-900163	1	BREAKER, CIRC 20A		
21	12-800035	1	ELL, 1/4FP X 1/4T BR		
22	12-800101	1	ELL, 1/4FP X 1/4 POLY BR		
23	32-900201	1	SW, START W/KEY 3 POS TM		
24	57047	1	NUT, 1/4-20 HEX NYLOCK		
25	81270	1	CLAMP, 3/4 DIA CUSHION .406DIA		
26	140702	1	BRKT, WIKA MOUNTING		
27	57047	1	NUT, 1/4-20 HEX NYLOCK		
28	70270	1	SCR, 1/4-20 X 3/4 HHCS PLTD		

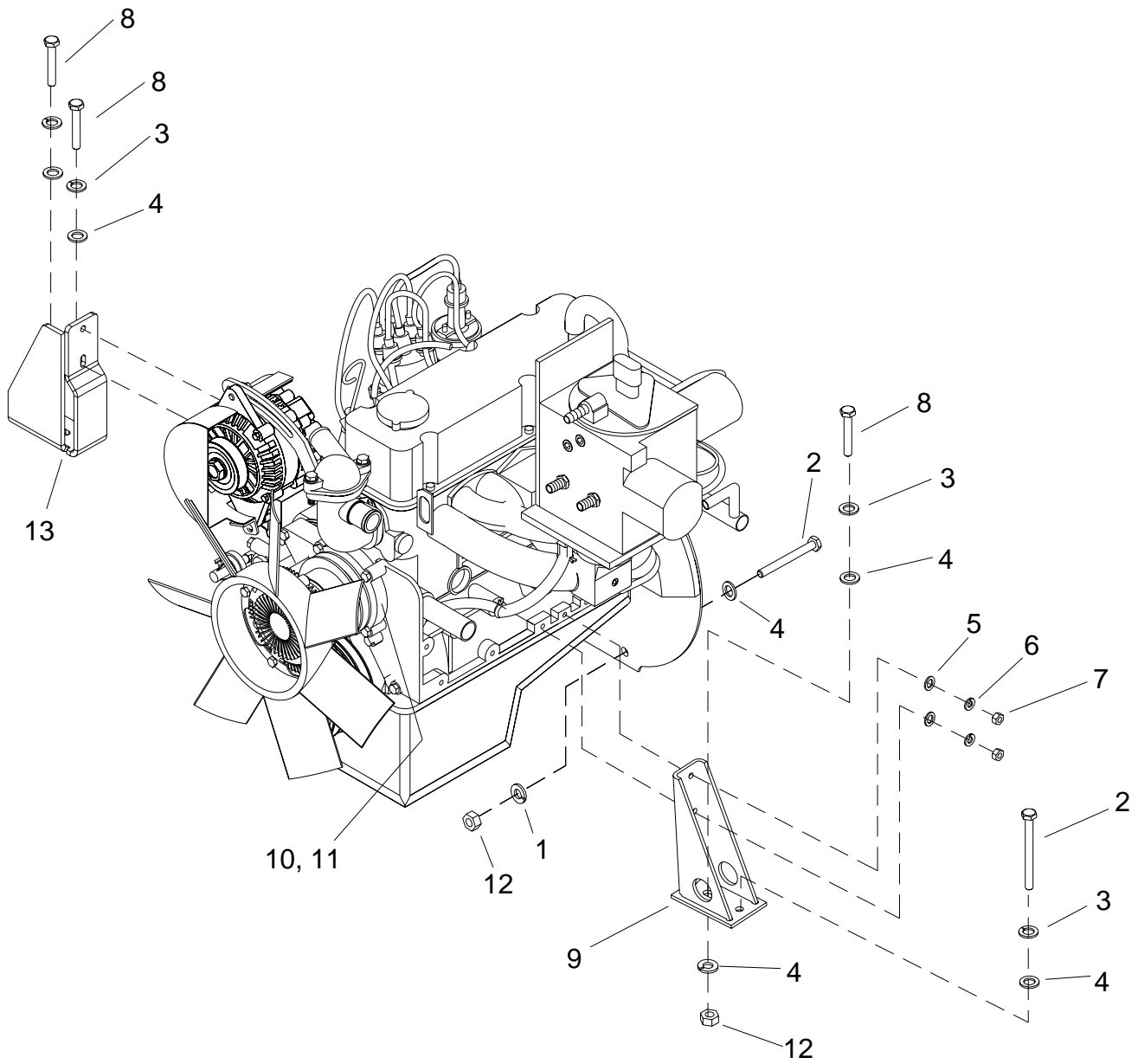
ENGINE



ENGINE

REF	PART NO.	QTY	DESCRIPTION	SERIAL NO. FROM	NOTES:
	790798	-	ENG, A-15, ZEEMS		COMPLETE
1	04080	1	ADAPTER, #2 BSPT X 1/8 FNPT BR		
2	790586	1	HOSEBARB, #2 MBSPT X 5/16		
3	09-805632	1	HOSE FUEL 5/16 X 10"		
4	42-902148	4	NIS PLG, SPRTK#22401-M7714		
5	730299	1	ENGINE COOLANT SENSOR		
6	00-000428	6	SCR, CAP 8MM X 1.25 MM X 25MM		
7	42-902253	1	NIS BOLT, FAN#08120-64062		
8	42-902137	1	NIS BSKT, VLV CVR#13270-H		
9	70302	2	SCR, 5/16-18 X 1HHCS GR5PLT		
10	43-807067	2	GSKT, THERM-NIS A12		
11	35-900202	1	TERM, 195 DEG		
12	52-502020	1	ADPT, COOLNT OUTL		
13	87083	6	WASHER, 5/16 SPLIT LOCK PLTD		
14	70549	2	SCR, M8 X 25 HHCS GR8 PLTD		
15	790507	1	SPACER, FAN		
16	42-902155	1	NIS FAN#21060-N8560		
17	790826	1	PULLEY, 3 BELT EFI		
18	42-902349	1	NIS PMP, WTR#21010-K7700		
19	42-902350	1	NIS GSKT, WTR PMP#21014-H		
20	42-902134	1	NIS SET, PAN GSKT#11132-H		
21	12-800177	1	ELL, #6BSTX1/2T ZNC PL		
22	10-805315	1	HOSE, HP 3/8X13" (1/2FT BS)		
23	12-800062	1	PLUG, 1/2T		
24	42-902139	1	NIS FLT, OIL#15208-55Y00		
25	790296	1	SW, OIL PRESS		
26	31090	1	ELBOW, #2 BSPT 90DEG ST BRASS		
27	42-902188	1	NIS ALT (50AMP) #23100-H7711		
28	70763	4	SCR, M6 X 40 MMPLTD		
29	57054	2	NUT, M8		
30	42-902152	1	NIS GSKT, FUEL PMP D24076		
31	730298	1	NIS START#23300-K4915		
32	42-902147	1	NIS, SOLEN, START#23343-B5		
33	50-501915	1	PL, FUEL PMP CVR		
34	56-501740	1	CVR, ALT		
35	57114	2	NUT, 7/16-14 HEX		
36	87176	2	WASHER, 7/16 SPLIT LOCK PLTD		
37	87171	4	WASHER, .531 ID X 1.25 X 1 FLT PLT		
38	00-000222	2	SCR, CAP 7/16-14 X 1.5 HX		
39	87085	4	WASHER, M6 SPLIT LOCK DIN127B		
40	52-502072	1	PULLEY, ENGINE A15 (BLOWER DR)		
41	78566	1	THROTTLE BODY ASSY, W/O ECU		
42	42-902352	1	NIS UNIT, TRANS#22020-G5110		
43	42-902272	1	NIS ROTOR#22157-05M02		
44	42-902153	1	NIS SEAL, DISTR. CAP#22185-23615		
45	42-902271	1	NIS CAP, DISTR#2216278A10		
46	42-902196	1	NIS DIST#22100-G5110		
47	87162	2	WASHER, ¼ SPLIT LOCK PLTD		
48	00-000078	3	SCR, ¼-20 X 1" HXHD GRD8		
49	02-000066	3	FLATWASHER, ¼		
50	790780	1	ASMBLY, FLTR, AIR, ZEEMS		
51	790300	1	SENSOR, AIR TEMPERATURE		NOT SHOWN
52	730301	1	SENSOR, MAP		NOT SHOWN
53	35273	1	GASKET KIT, MANIFOLD		NOT SHOWN
54	790779	1	FLT, AIR, ELMNT, ZEEMS		NOT SHOWN (FOR ITEM 50)

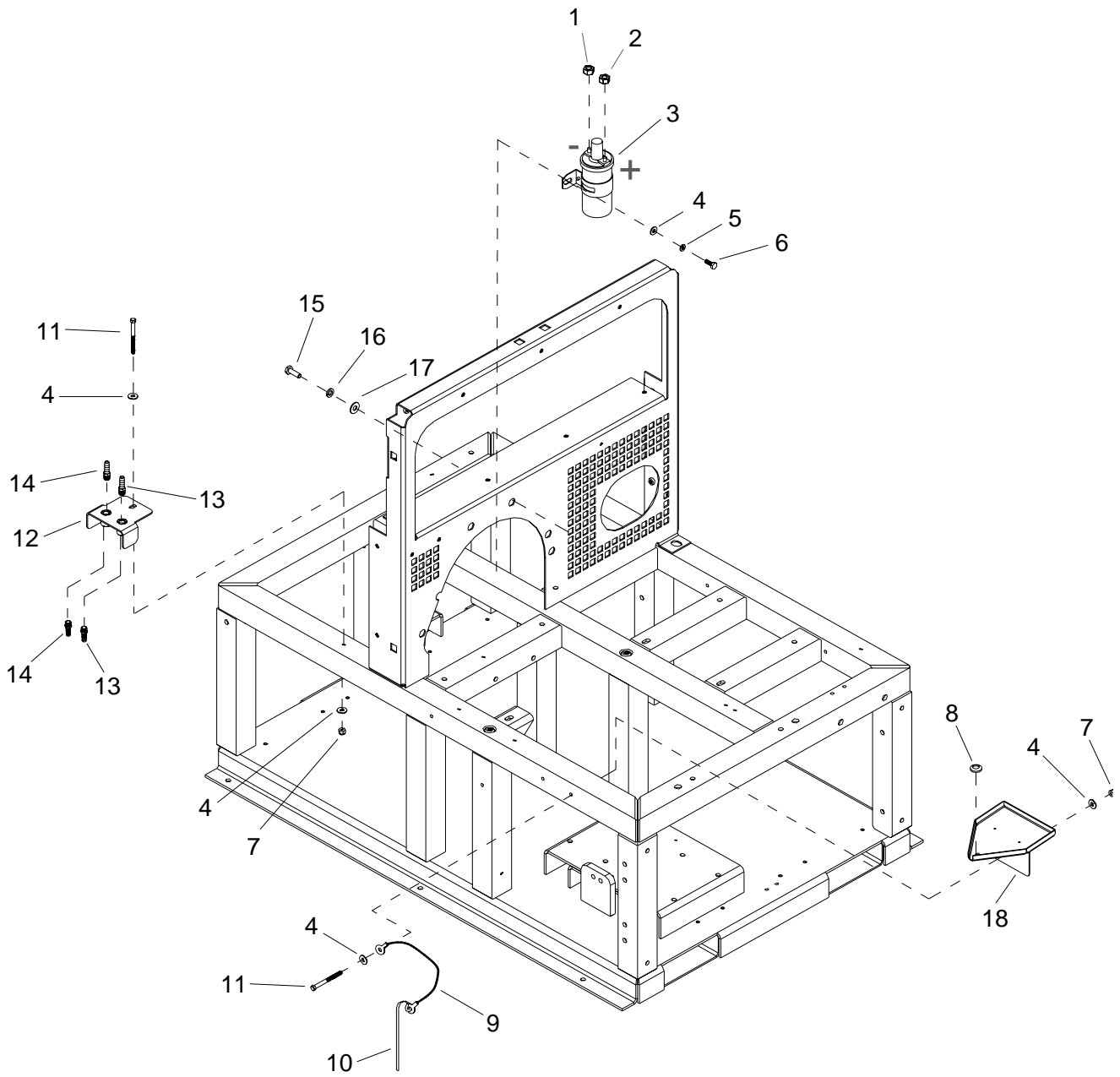
ENGINE



ENGINE

REF	PART NO.	QTY	DESCRIPTION	SERIAL NO. FROM	NOTES:
1	87168	8	WASHER, M10 SPLIT LOCK PLTD		
2	70069	3	SCR, 3/8-16 X 3 HHCS GR5		
3	87163	4	WASHER, 3/8 SPLIT LOCK PLTD		
4	87171	10	WASHER, 3/8 FLAT		
5	02-000143	4	WASHER, 5/16 FLAT PLTD		
6	87083	4	WASHER 5/16 SPLIT LOCK PLTD		
7	57054	4	NUT, M8		
8	70377	3	SCR, 3/8-16 X 1.25 HHCS SS		
9	790408	2	MOUNT, ENGINE		
10	42-902345	1	NIS PMP, WTR#21010-K7700		
11	42-602350	1	NIS GSKT, WTR PMP #2104-H		
12	57119	4	NUT, 3/8-16 HEX NYLOCK		
13	790912	1	MT, LEFT ENGINE		

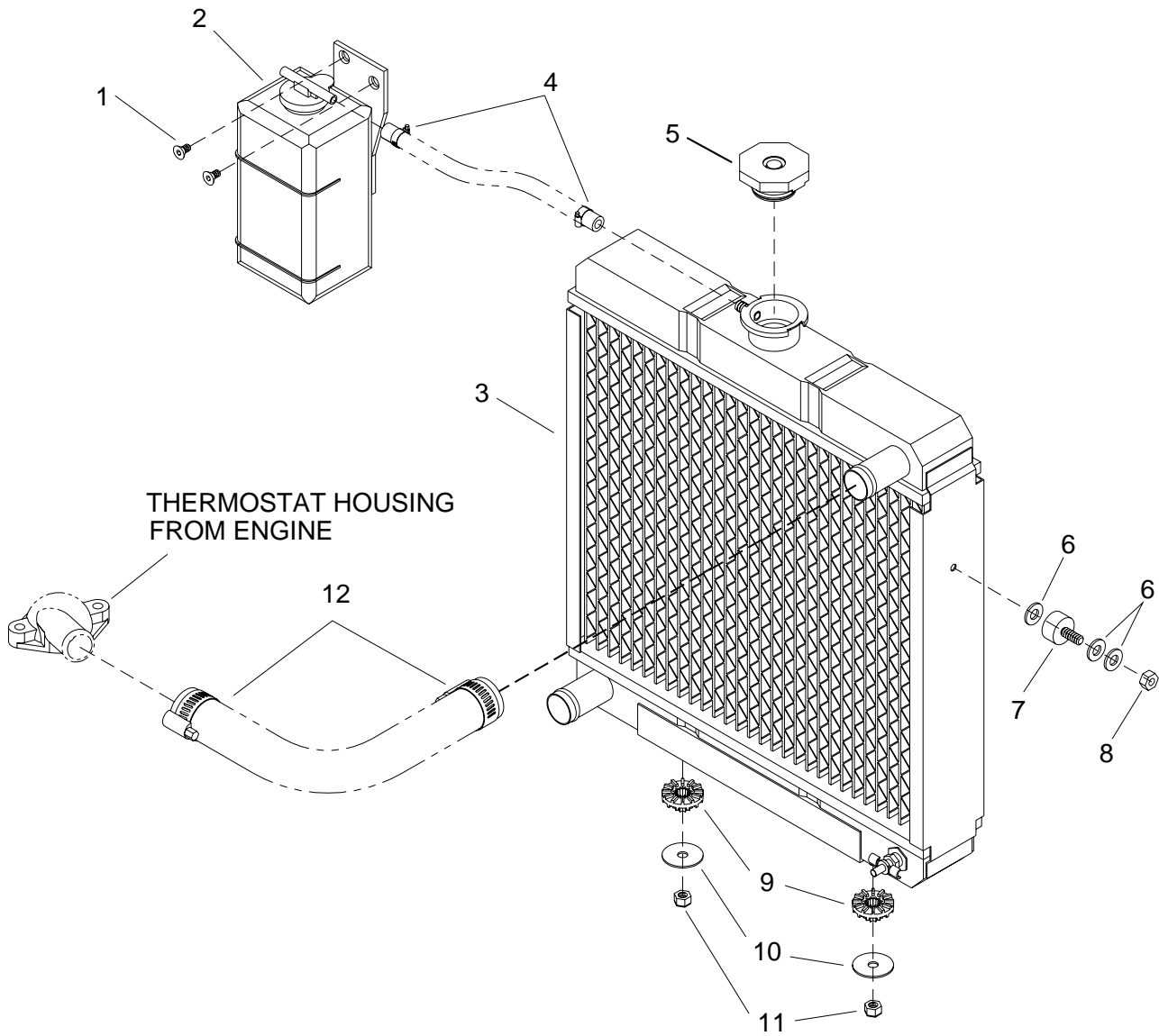
ENGINE



ENGINE

REF	PART NO.	QTY	DESCRIPTION	SERIAL NO. FROM	NOTES:
1	57086	1	NUT, M5		
2	57053	1	NUT, M6 HEX ZINC PLATED		
3	42-902144	1	NIS COIL#22433-52A60		
4	02-000066	7	FLATWASHER, 1/4		
5	87162	2	WASHER, 1/4 SPLIT LOCK PLTD		
6	70270	2	SCR, 1/4-20 X 3/4 HHCS PLTD		
7	57047	3	NUT, 1/4-20 HEX NYLOCK		
8	43-807504	1	GROM, 1/4IDX3/8OD		
9	64-950383	1	CABL, RETAIN VAC PLG 800		
10	790487	1	DIPSTICK, CAT PUMP OIL 5CP		
11	00-000286	3	SCR, CAP 1/4-20 X 2.75 HXHD		
12	790806	1	BRKT, FUEL ZEEMS		
13	12-800092	2	FTTG, BRB 1/4 X 5/16H BR		
14	40014	2	HOSEBARB, 1/4MPT X 3/8 DL		
15	70549	4	SCR, M8 X 25 HHCS GR8 PLTD		
16	87083	4	WASHER, M10 X 30 PLTD		
17	02-000143	4	WASHER, 5/16 FLAT PLTD		
18	790115	1	BRKT, OIL DRAIN		

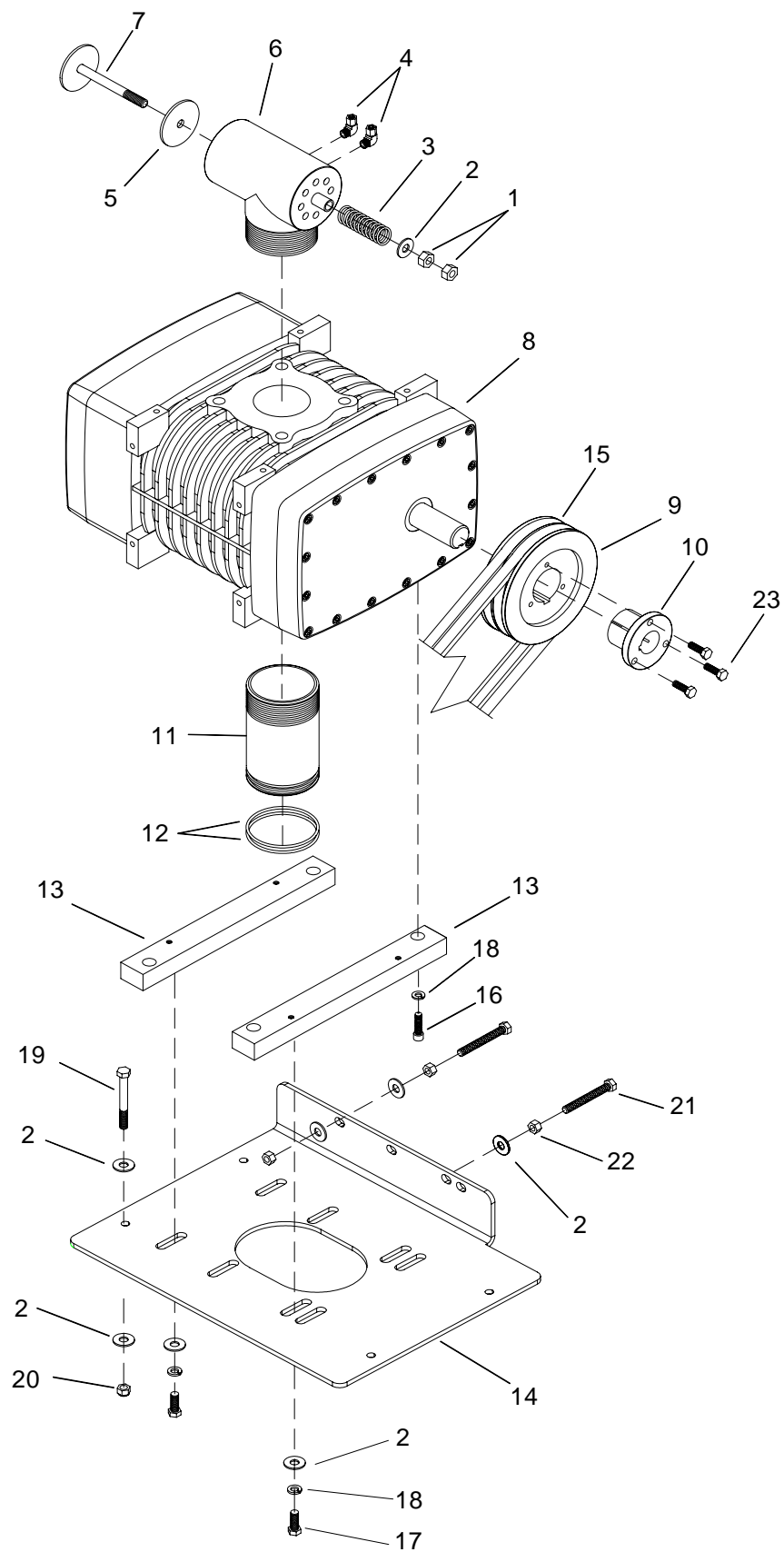
COOLANT SYSTEM



COOLANT SYSTEM

REF	PART NO.	QTY	DESCRIPTION	SERIAL NO. FROM	NOTES:
1	00-000216	2	SCR, CAP 1/4-20 X 1/2 FLTSS		
2	140642	1	KBT BTL, OVRFL #19059-70		
3	790429	1	RADIATOR		
4	03-000065	2	CLAMP, HOSE #4 SST		
5	49-802010	1	CAP, RAD, STANT AGX2643-01		
6	02-000143	6	FLATWASHER, 5/16		
7	52-502038	2	MT, RAD		
8	57113	2	NUT, 5/16-18 HEX NYLOCK		
9	04-000296	2	FLEX, FINGER (BUSH)		
10	50-501761	2	WASHER, RAD		
11	57285	2	NUT, 5/16-18 NYLOCK THIN SS		
12	03-000248	2	CLMP, HOSE #16 1-1/2 MIN 1-3/4		

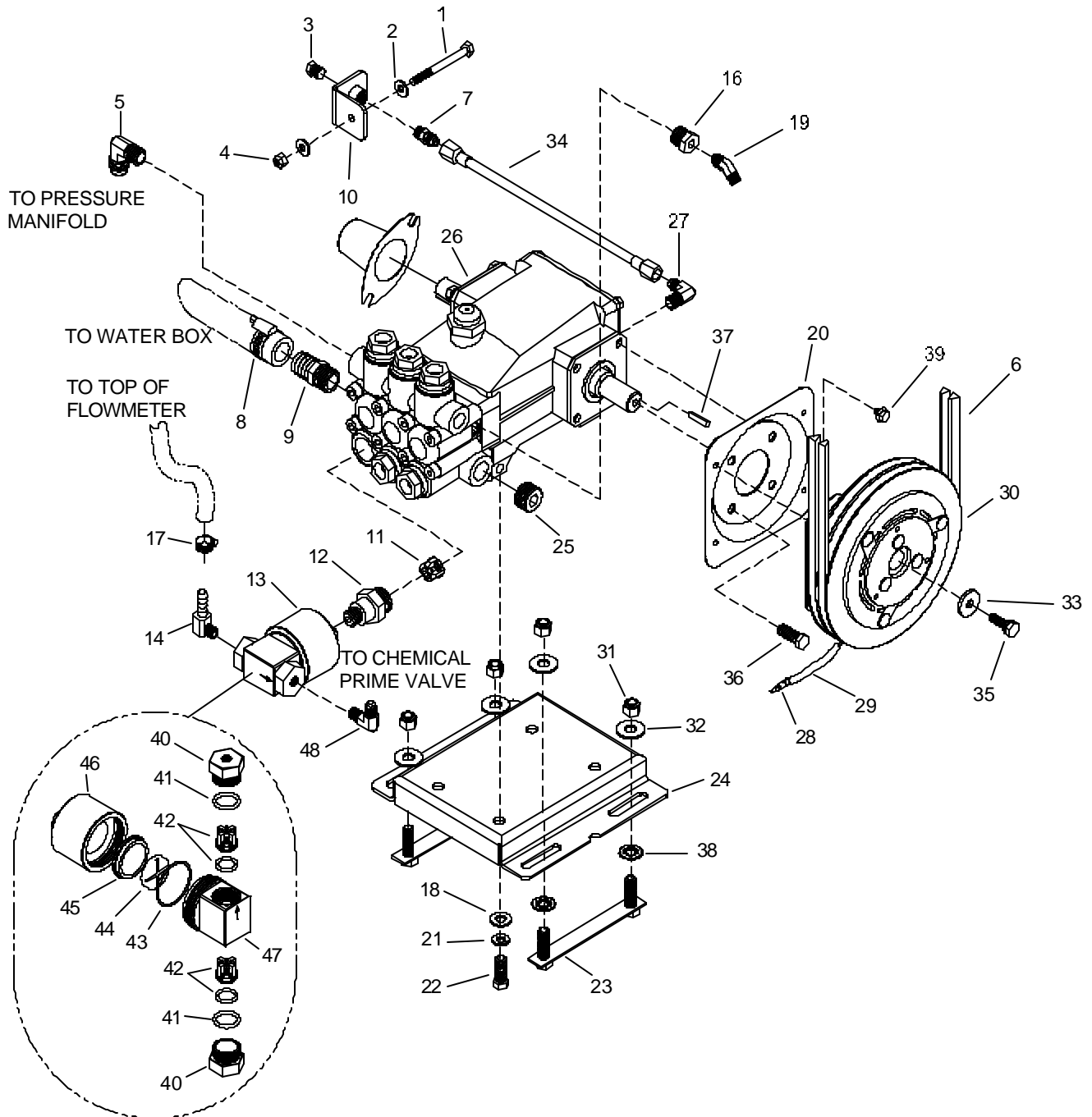
VACUUM BLOWER



VACUUM BLOWER

REF	PART NO.	QTY	DESCRIPTION	SERIAL NO. FROM	NOTES:
1	57114	2	NUT, 7/16-14 HEX		
2	87171	16	WASHER, 3/8 FLAT		
3	04-000091	1	SPRING, VAC REL VLV		
4	12-800099	2	ELL, 1/8P X 1/4 POLY BR		
5	43-807106	1	DIAPH, VAC REL VLV		
6	52-501684	1	ELL, VAC REL VLV		
7	56-501994	1	STM-VAC REL VLV		
8	140611	1	BLWR, TRI-FLOW		
9	790842	1	PULLEY, BLOWER 2TB52		
10	790444	1	HUB, P1 X 1-1/4		
11	52-502071	1	NIPPLE, VAC OUTL TRI-FLOW		
12	43-810104	2	O-RING, 3-1/4 X 3-1/2 OD		
13	790443	2	SPACER, BLOWER		
14	790442	1	PLT, BLOWER ADJUST		
15	44-802319	2	BELT, BX46 GOODYEAR MATCH		
16	790467	4	SCR, 5/16-18 X 1.25 SHCS		
17	70377	4	SCR, 3/8-16 X 1.25 HHCS BR5PLT		
18	87163	8	WASHER, 3/8 SPLIT LOCK		
19	70069	4	SCR, 3-8-16 X 3 HHCS BR5		
20	57119	4	NUT, 3/8-16 HEX NYLOCK		
21	00-000336	2	SCR, CAP 3/8-16 X 3 ALL THD		
22	57111	3	NUT, 3/8-16 HEX		
23	00-000340	3	SCR, MACH 5/16-18 X 1" GR 8		

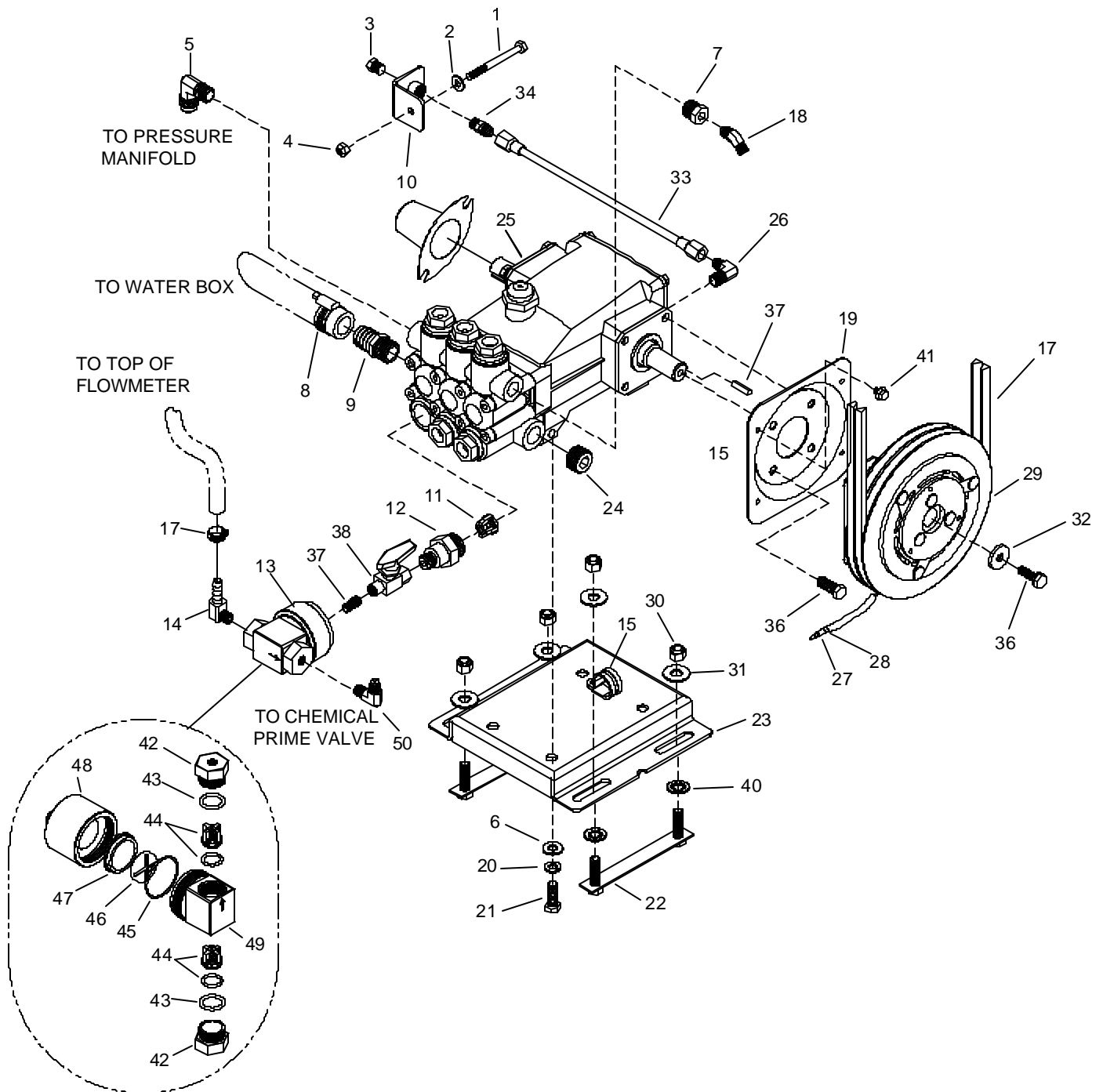
WATER PUMP-PP



WATER PUMP-PP

REF	PART NO.	QTY	DESCRIPTION	SERIAL NO. FROM	NOTES:
1	00-000286	1	SCR, CAP 1/4-20 X 2.75 HXHD		
2	02-000066	1	FLATWASHER, 1/4		
3	11-800101	1	PLUG, 1/8P		
4	87245	1	NUT, 1/4-20 HEX NYLOCK SS		
5	12-800225	1	ELL, 3/8P X 1/2T SST		
6	790446	2	BELT, NAPA A41		
7	12-800065	1	CONN, 1/8P X 1/4T		
8	03-000113	2	CLAMP, HOSE #12 SST		
9	12-800278	1	FTTG, BRB 1/2P X 3/4H BR		
10	790434	1	BRKT, 1/8 ALUM COUPLER		
11	52-809123	1	RETAIN, VALVE SPRING		
12	790317	1	ADAPTER, CEHM PMP (5CP3120)		
13	41-809158	1	PUMP, CHEM (O-RING) SS		
14	790605	1	EL, 90DEG 1/8 X 5/16HB		
15	OPEN				
16	11-800118	1	BUSH, 3/8X1/8 BR		
17	03-000065	2	CLAMP, HOSE #4 SST		
18	02-000143	4	WASHER, 5/16 FLAT PLTD		
19	12-800261	1	ELL, 1/8P X 1/4T 45 DEG		
20	140646	1	BRKT, CLTCH, WTR PMP, 2 GRV		
21	87083	4	WASHER, 5/16 SPLIT LOCK PLTD		
22	70262	4	SCR, M8 X 20 HHMS PLTD		
23	790436	2	STRAP, WTR PMP HOLDDOWN		
24	790900	1	PNL, WTR PMP BRKT, EFI		
25	11-800069	1	PLUG, 1/2 SOCHD BR		
26	790435	1	PUMP, WATER 5CP CAT		
27	12-800031	1	ELL, 1/4P X 1/4T BR		
28	31-900185	1	CONN, BULLET M (.156)		
29	51372	1	LOOM, 1/4, HIGH TEMP 10"		
30	790398	1	CLUTCH, ELEC WTR PMP		
31	57119	4	NUT, 3/8-16 HEX NYLOCK		
32	87171	4	WASHER, 3/8 FLAT		
33	87240	1	WASHER, .328ID X 1.00 OD X .119, ZNC		
34	10-805288	1	HOSE, 3/16 X 17"		
35	140644	1	BLT, 5/16-18 X 1, SOC, ZNC		
36	70807	4	BLT, 8MM X 14MM, SER FLNG, PH		
37	48098	1	KEY, .25 X .25 X 1, CAT WTR PMP		
38	57302	4	NUT, 3/8 PUSH PLATE		
39	140645	4	SCR, 1/4-20 X 3/8, SER FLNG		
40	16-808237	2	CAP, CHK VALVE CHM. PUMP		
41	43-810079	2	O-RING, 7/8 ID X 1-1/16OD		
42	42-809265	2	CHECK VALVE, CHEM PUMP		
43	43-810105	1	O-RING, 1-5/8OD X 1-3/4 OD/40D VITON		
44	42-809264	1	DISK, CHEM PUMP		
45	42-809047	1	DIAPHRAGM, CHEM PUMP		
46	52-502053	1	CVR, CHEM PUMP		
47	52-502052	1	BDY, CHEM PMP		
48	12-800040	1	ELL, 1/8P X 1/4T BR		

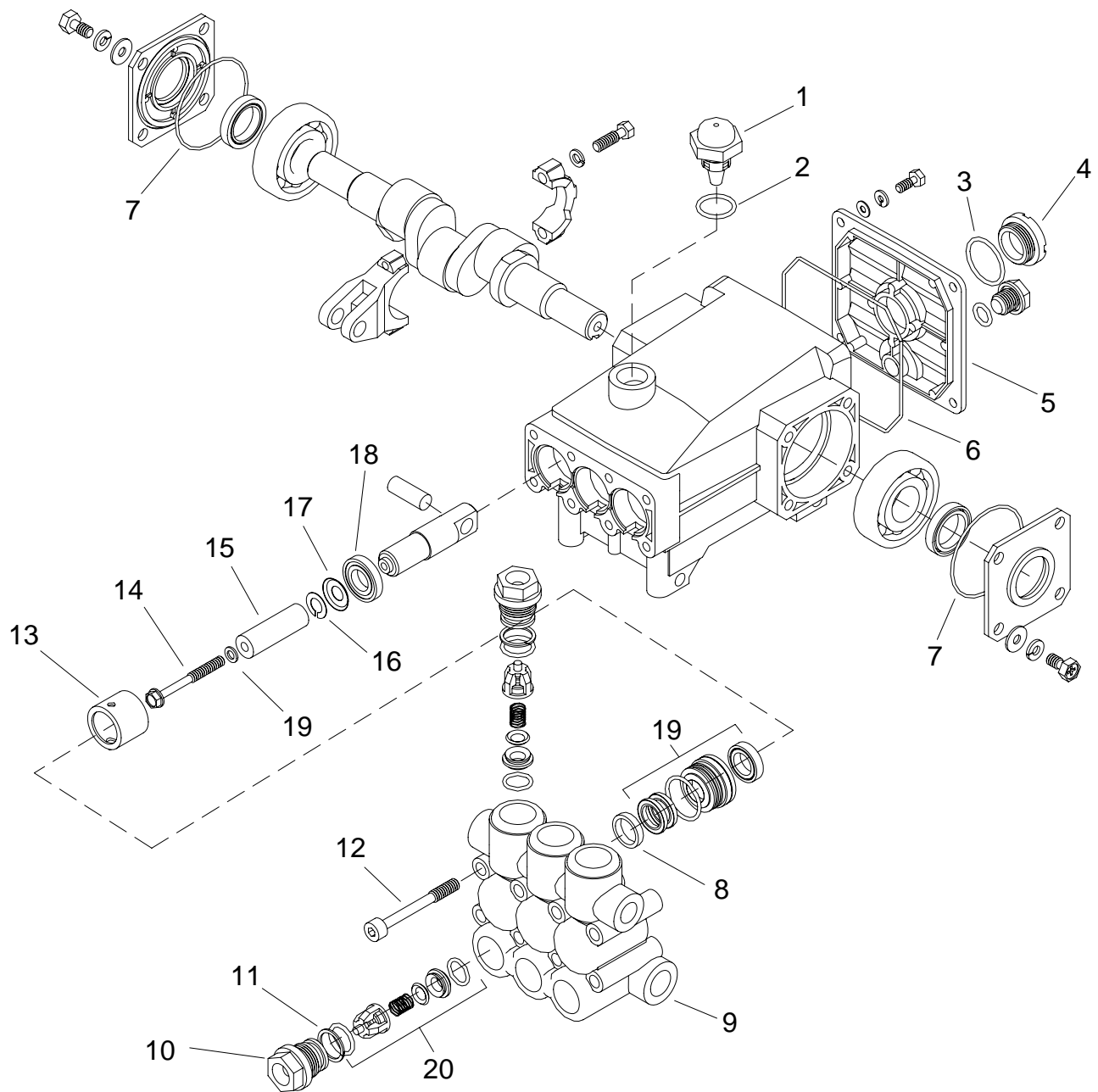
WATER PUMP-PPHP



WATER PUMP-PPHP

REF	PART NO.	QTY	DESCRIPTION	SERIAL NO. FROM	NOTES:
1	00-000286	1	SCR, CAP 1/4-20 X 2.75 HXHD		
2	02-000066	1	FLATWASHER, 1/4		
3	11-800101	1	PLUG, 1/8P		
4	57145	1	NUT, 1/4-20 HEX NYLOCK SS		
5	12-800446	1	ELL, 3/8P X 1/2T SST		
6	02-000143	4	WASHER, 5/16 FLAT PLTD		
7	11-800118	1	BUSH, 3/8X1/8 BR		
8	03-000113	2	CLAMP, HOSE #12 SST		
9	12-800278	1	FTTG, BRB 1/2P X 3/4H BR		
10	790434	1	BRKT, 1/8 ALUM COUPLER		
11	52-809123	1	RETAIN, VALVE SPRING		
12	790317	1	ADAPTER, CHEM PMP (5CP3120)		
13	41-809158	1	PUMP, CHEM SS		
14	790605	1	EL, 90DEG 1/8 X 5/16HB		
15	03-000249	1	CLMP, CABL 1/4ID 3/8BLT		
16	03-000065	2	CLAMP, HOSE #4 SST		
17	790446	2	BELT, NAPA A41		
18	12-800261	1	ELL, 1/8P X 1/4T 45 DEG		
19	140646	4	BRKT, CLTCH, WTR PMP, 2GRV		
20	87083	4	WASHER, M20 ID X MM		
21	70262	4	SCR, M8 X 20 HHMS PLTD		
22	790436	2	STRAP, WTR PMP HOLDDOWN		
23	790900	1	PNL, WTR PMP BRKT, EFI		
24	11-800069	1	PLUG, 1/2 SOCHD BR		
25	790435	1	PUMP, WATER 5CP CAT		
26	12-800031	1	ELL, 1/4P X 1/4T BR		
27	31-900185	1	CONN, BULLET M (.156)		
28	51372	1	LOOM, 1/4, HIGH TEMP 10"		
29	790398	1	CLUTCH, ELEC WTR PMP		
30	57119	4	NUT, 3/8-16 HEX NYLOCK		
31	87171	4	WASHER, 3/8 FLAT		
32	87240	1	WASHER, .328ID X 1.00 OD X .119, ZNC		
33	10-805288	1	HOSE, 3/16 X 17"		
34	12-800065	1	CONN, 1/8P X 1/4T		
35	70807	4	BLT, 8MM X 14MM, SER FLNG, PH		
36	140644	1	BLT, 5/16-18 X 1, SOC, ZNC		
37	48098	1	KEY, .25 X .25 X 1, CAT WTR PMP		
38	15-808169	1	VALVE, BALL 6000 PSI		
39	11-800369	1	NIP, 1/4 X CL SST		
40	57302	4	NUT, 3/8 PUSH PLATE		
41	140645	4	SCR, 1/4-20 X 3/8, SER FLNG		
42	16-808237	2	CAP, CHK VALVE CHEM. PUMP		
43	43-810079	2	O-RING, 7/8 ID X 1-1/16 OD		
44	42-809265	2	CHECK VALVE, CHEM PUMP		
45	43-810105	1	O-RING, 1-5/8ID X 1-3/4OD VITON		
46	42-809264	1	DISK, CHEM PUMP		
47	42-809047	1	DIAPHRAGM, CHEM PUMP		
48	52-502053	1	CVR, CHEM PMP		
49	52-502052	1	BDY, CHEM PMP		
50	12-800040	1	ELL, 1/8P X 1/4T BR		

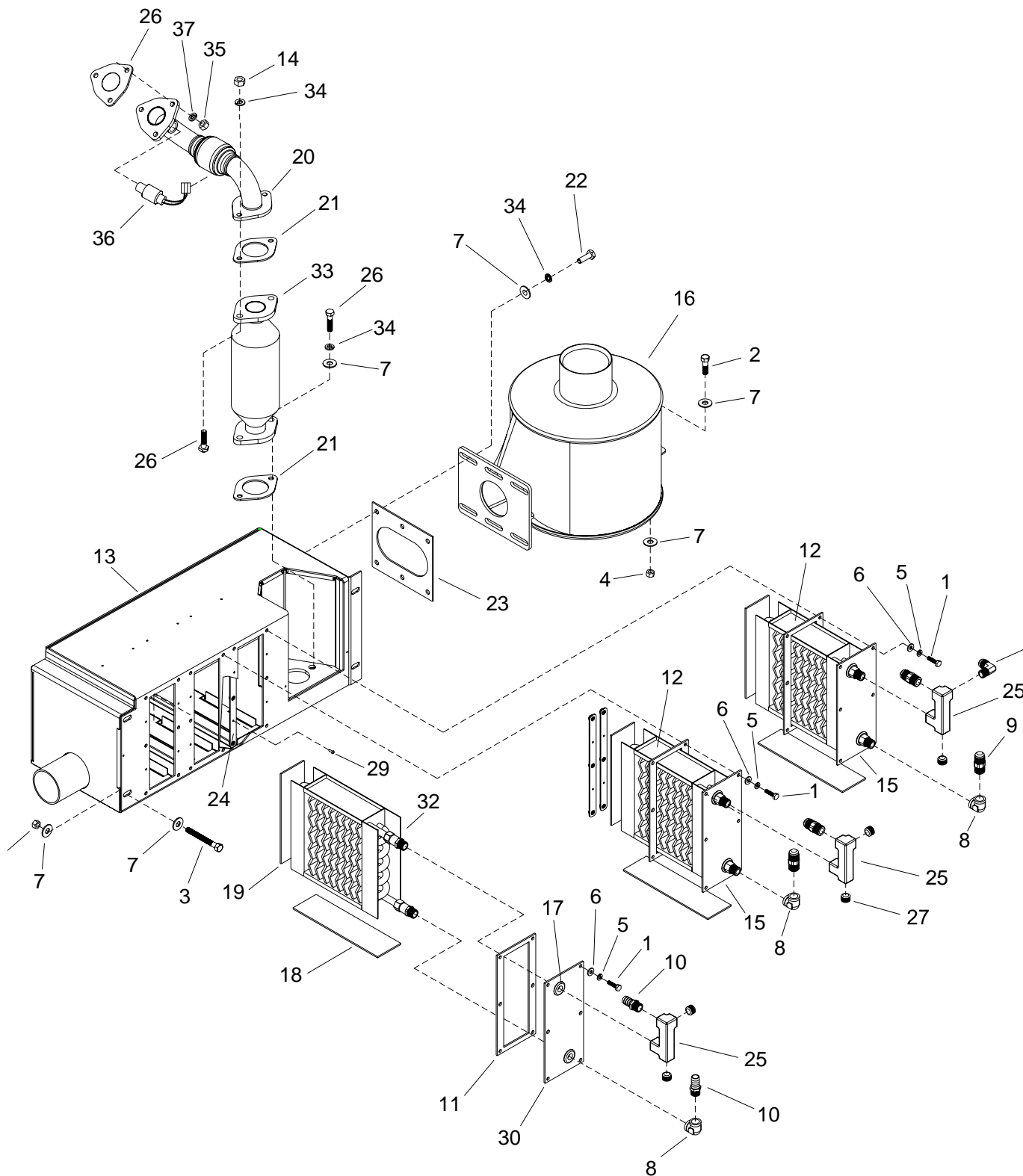
WATER PUMP



WATER PUMP-PP-PPHP

REF	PART NO.	QTY	DESCRIPTION	SERIAL NO. FROM	NOTES:
1	42-809393	1	CAT#46798 CAP, OIL FILTER		
2	42-809239	1	O-RING, OIL CUP FILL CAP		
3	43-807063	1	GASKET, OIL GAUGE		
4	42-902380	1	GAUGE, OIL LEVEL		
5	42-809392	1	CAT#46940 CVR, CRANKCASE		
6	42-809391	1	CAT#14044 O-RING, CRANKCASE		
7	42-809394	1	O-RING, BEARING CVR		
8	42-809388	1	CAT#46618 ADAPT, MALE		
9	42-809387	1	CAT#46886 MNFLD, HEAD 5CP		
10	42-809320	1	CAT#45900 PLG, VLV 5CP		
11	42-809386	1	CAT#48365 RNG, BK-UP VLV		
12	42-809385	4	CAT#87872 BLT, MNFLD HEAD		
13	42-809384	1	CAT#46749 RETAIN, SEAL 5C		
14	42-809383	1	CAT#48201 RETAIN, PLNGR		
15	42-809382	1	CAT#46884 PLNGR 5CP		
16	42-809249	1	WASHER, KEYHOLE M18		
17	42-809381	1	SLINGER, BARRIER		
18	42-809380	1	CAT#46838 SEAL, OIL CRANK		
19	790508	1	KIT, PISTON SEAL HI TEMP		
20	42-809397	1	CAT#46886 MNFLD, HEAD 5CP		
-	05-008016	1	OIL, CAT-WTR PMP		

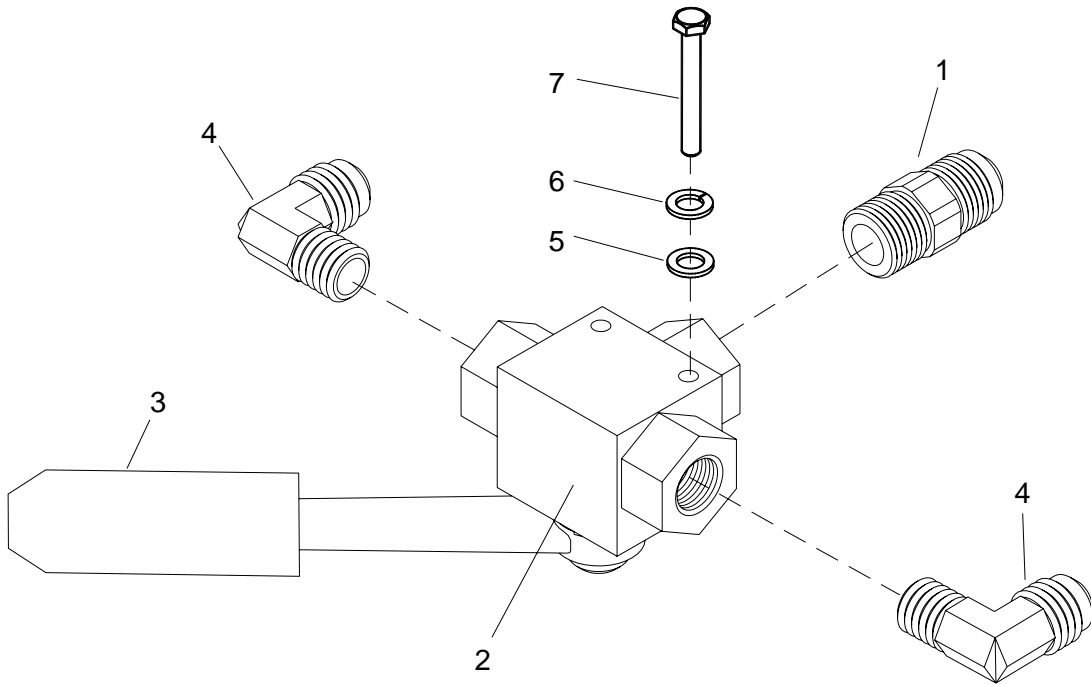
VAC/HEAT EXCHANGER WITH SILENCER



VAC/HEAT EXCHANGER WITH SILENCER

REF	PART NO.	QTY	DESCRIPTION	SERIAL NO. FROM	NOTES:
1	00-000078	22	SCR, 1/4-20 X 1" HXHD GRD8		
2	70377	1	SCR, 3/8-16 X 1.25 HHCS GR5PLT		
3	70069	4	SCR, 3/8-16 x 3 HHCS GR5		
4	57119	11	NUT, 3/8-16 HEX NYLOCK		
5	87162	22	WASHER, 1/4-20 SPLIT LOCK PLTD		
6	02-000066	22	FLATWASHER, 1/4		
7	87171	14	WASHER, 3/8 FLAT		
8	11-800276	3	ELL, 3/8 BR		
9	12-800282	4	CONN, 3/8P x 1/2T BR		
10	12-800345	2	FTTG, BRB 3/8P x 5/8H BR		
11	790050	3	GASKET, VAC HE CVR		
12	790388	2	ASSEMBLY, HEATER CORE		
13	790755	1	HSG, VAC HE		
14	57111	2	MIT. 3/8-16 HEX		
15	620023	2	PLT, HEATER CORE CVR, STL		
16	790341	1	VAC MUFFLER		
17	36238	6	GROM, 1/2IDX1-1/4OD 1/8G 5/16W		
18	790343	3	PAD, BTM VAC HTR CORE		
19	790423	3	PAD, REAR VAC HTR CORE		
20	790814	1	TUBE, EXHAUST ZEEMS		
21	780800	2	GSKT, EXH, A-15 ZEEMS		
22	70266	6	SCR, 3/8-16 X 1" HHCS GR5 PLTD		
23	790039	1	GASKET, VAC HE BOX TO MUFFLER		
24	790051	6	PLT, NUT-VAC HE HSG		
25	790038	3	FORGING, HEATER CORE MANIFOLD		
26	42-902415	1	GSKT, EXH, NIS 20691-72W00		
27	11-800224	5	PLG, 3/8 SOCHD BR		
28	12-800225	1	ELL, ST 3/8 P X 1/2T BR		
29	00-000064	12	RIV, 1/8 x 3/8 ALUM		
30	620024	1	PLT, HEATER CORE CVR FRONT, STL		
31	50-502023	1	FLG, EXH NISSAN A-15		
32	790505	1	ASSEMBLY, HEATER CORE (COPPER)		INCLUDES 17 & 30
33	790775	1	CONV, CAT, ZEEMS		
34	87163	10	WASHER, 3/8 SPLIT LOCK PLTD		
35	01-000296	3	NUT, EXH MNFLD, A-15		
36	790891	1	O2 SENSOR		
37	87083	3	WASHER, 5/16 SPLIT LOCK, PLTD		

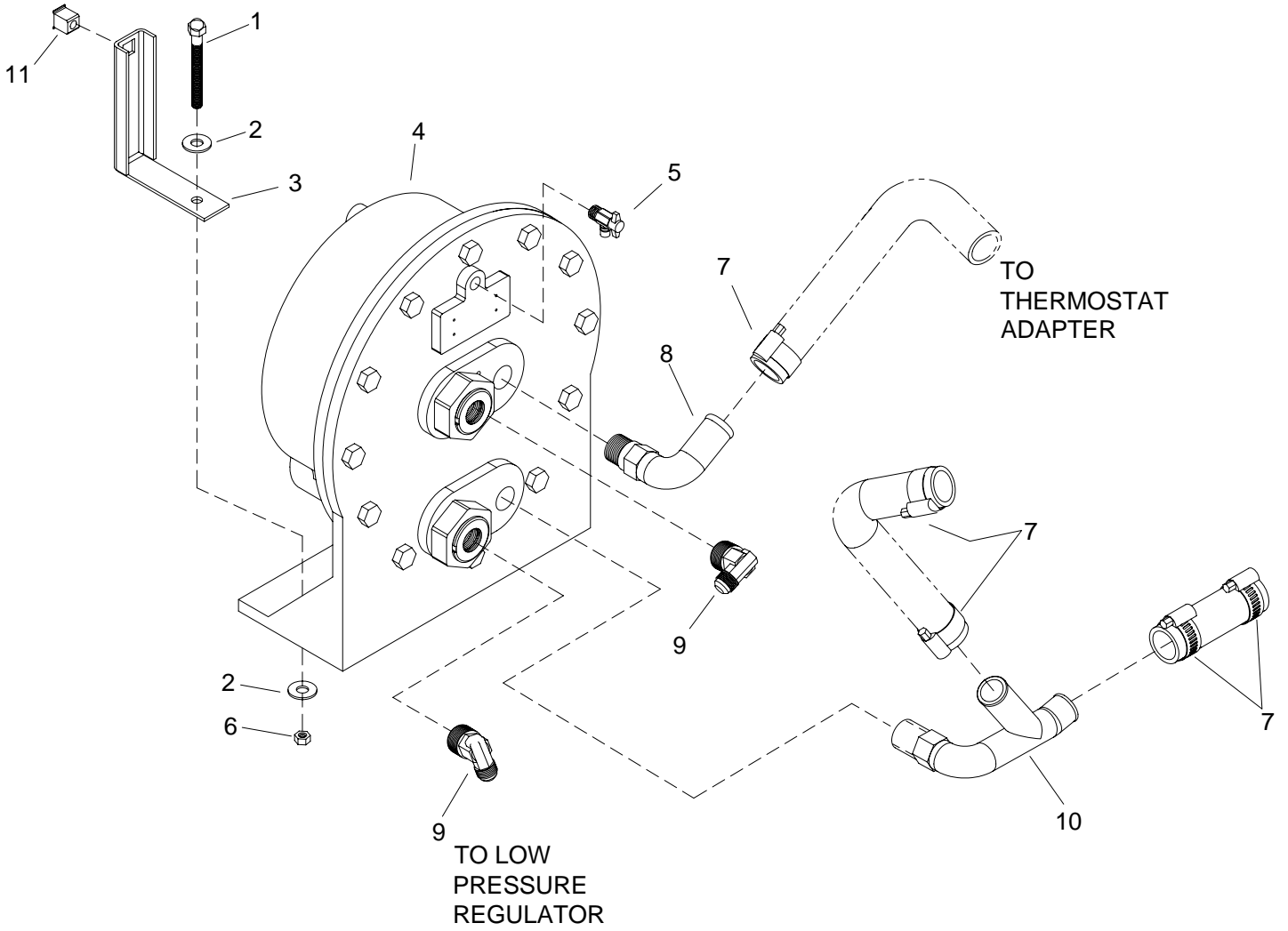
SOLUTION TEMPERATURE CONTROL VALVE



SOLUTION TEMPERATURE CONTROL VALVE

REF	PART NO.	QTY	DESCRIPTION	SERIAL NO. FROM	NOTES:
1	12-800282	1	CONN, 3/89 X 1/2T BR		
2	84192	1	VLV, BALL, 3-WAY, HI-TEMP/PRES		INCLUDES REF 3
3	38317	1	HNDL, VALVE, 3-WAY, HI P/T		
4	12-800225	2	ELL, 3/8P X 1/2T BR		
5	02-000066	2	FLATWASHER, 1/4		
6	87162	2	WASHER, 1/4 SPLIT LOCK		
7	70017	2	SCR, CAP 1/4-20 X 2.50 HHCS		

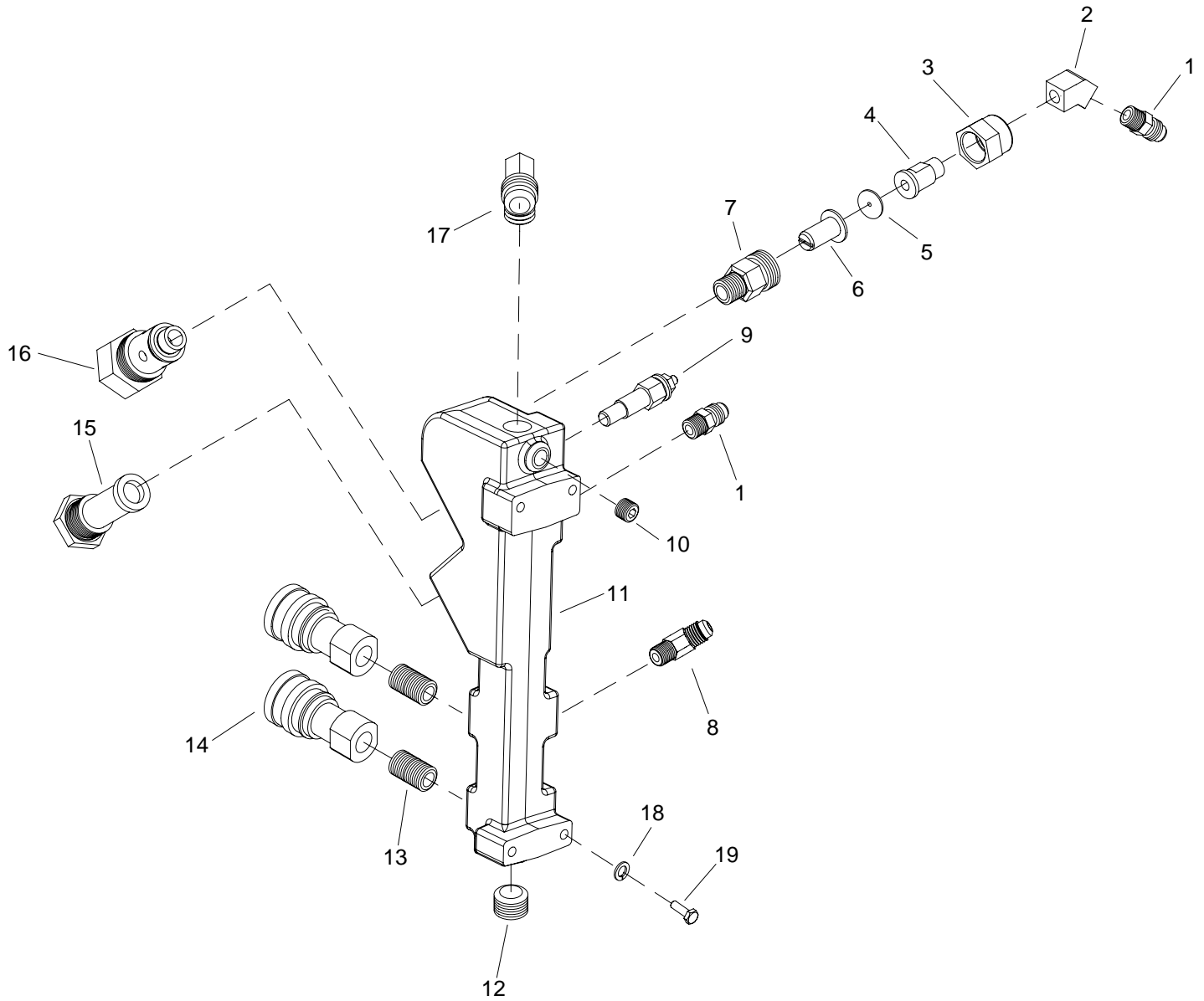
HELI-COIL HEAT EXCHANGER



HELI-COIL HEAT EXCHANGER

REF	PART NO.	QTY	DESCRIPTION	SERIAL NO. FROM	NOTES:
1	70554	2	SCR, 3/8-16 X 3.5 HHCS GR5PLTD		
2	87171	4	WASHER, 3/8 FLAT		
3	790445	1	BRKT, RIGHT HOOD MTG		
4	57-520073	1	HE, HELI-COIL		
5	15-808073	1	COCK, DRN 1/4P X 1/4 HOSE ELL		
6	57119	2	NUT, 3/8-16 HEX NYLOCK		
7	03-000248	5	CLMP, HOSE #16 1-1/2 MIN 1-3/4		
8	52-501627	1	INL, HE		
9	12-800326	2	ELL, 3/4P X 1/2T BR		
10	790885	1	CASTING LWR RAD HOSE ZEEMS		
11	01-000259	1	RECPT, SNAPIN 1/4 TURNFA		

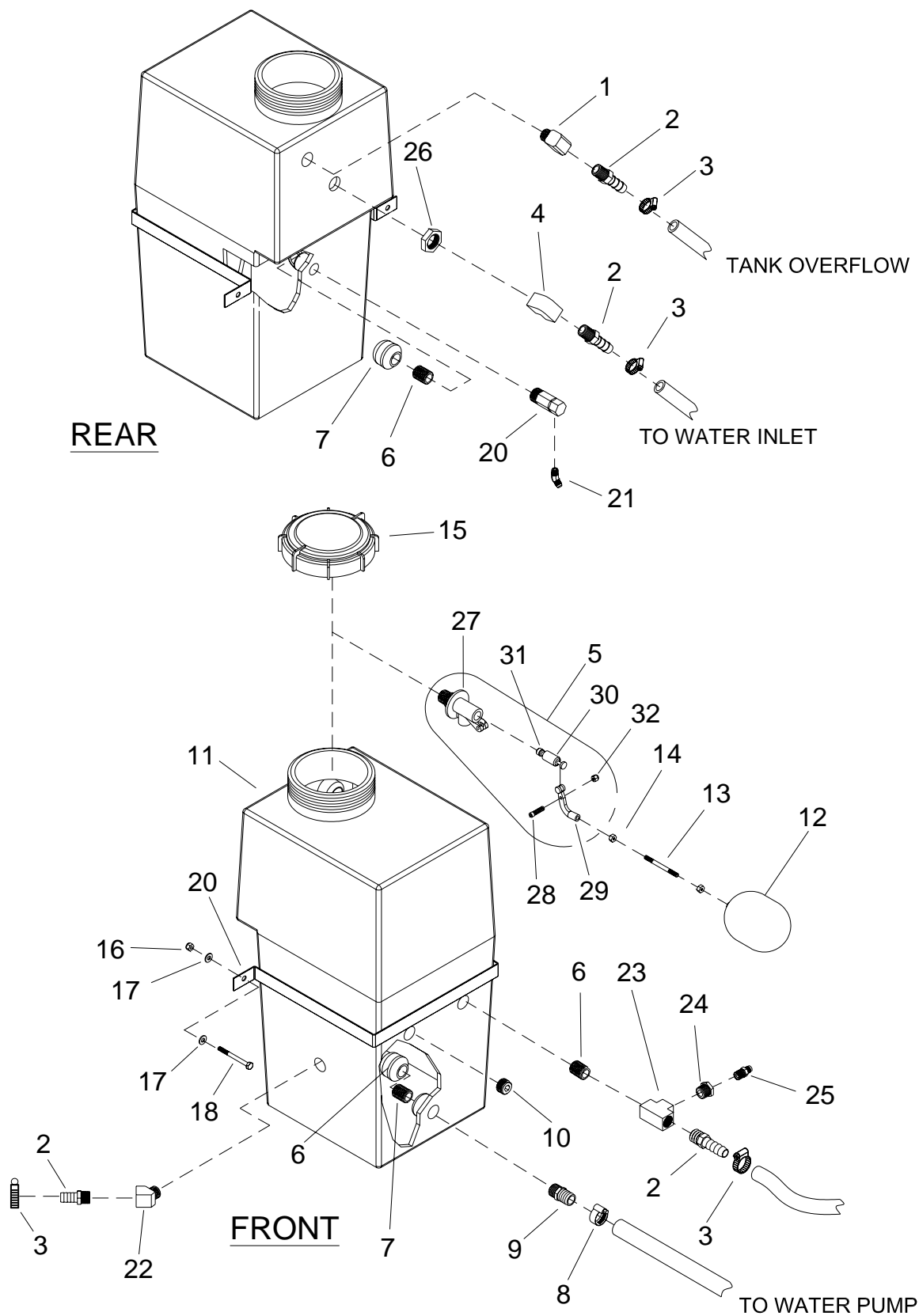
SOLUTION OUTLET



SOLUTION OUTLET

REF	PART NO.	QTY	DESCRIPTION	SERIAL NO. FROM	NOTES:
1	12-800065	2	CONN, 1/8P X 1/4T		
2	31092	1	ELBOW, 1/8NPT 45D		
3	27074	1	CAP, NOZZLE		
4	790839	1	ADAPTER, HOSE BYPASS		
5	790836	1	ORFICE PLATE, EVEREST BYPASS		
6	14-806512	1	STRNR, JET 50 MESH		
7	17-803010	1	CONN, 1/4P X 11/16-16M		
8	12-800261	1	ELL, 1/8P X 1/4T 45 DEG		
9	34-903019	1	SENDER, TEMP 140-320DEG		
10	11-800206	1	PLUG, 1/8 SOCHD BR		
11	790844	1	MANIFOLD, SOLUTION		
12	11-800224	1	PLUG, 3/8 SOCHD BR		
13	56015	2	NIPPLE, 1/4 HEX		
14	22015	2	COUPLER, 1/4 QD		
15	730224	1	SCRN, MESH W/O-RING, SOL MNFLD		
16	15-808094	1	VALVE, CHECK		
17	12-800225	1	ELL, 3/8P X 1/2 T BR		
18	87162	2	WASHER, 1/4 SPLIT LOCK PLTD		
19	70270	2	SCR, 1/4-20 X 3/4 HHCS PLTD		

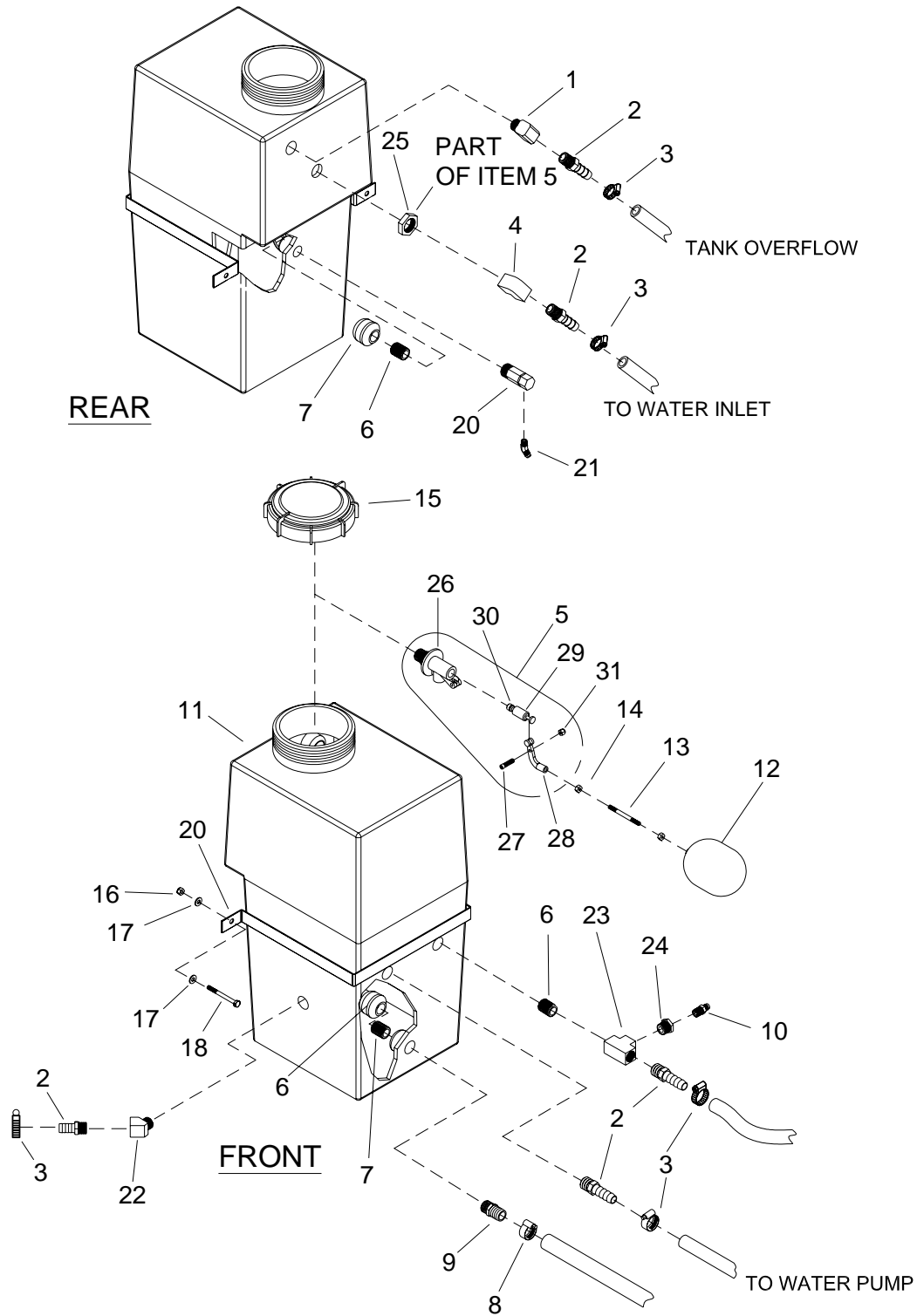
WATER BOX-PP



WATER BOX-PP

REF	PART NO.	QTY	DESCRIPTION	SERIAL NO. FROM	NOTES:
1	31098	1	ELL, STREET 1/2 BR		
2	12-800269	2	FTTG, BRB 1/2P X 5/8H BR		
3	03-000246	7	CLAMP, HOSE #8 SST		
4	11-800361	1	ELL, 1/2 BR		
5	15-808110	1	VALVE, FLOAT		
6	11-800300	3	NIP, 1/2 X CL		
7	14-806540	2	STRAINER, SUC END 1/2FP		
8	03-000113	2	CLAMP, HOSE #12 SST		
9	12-800278	1	FTTG, BRB 1/2P X 3/4H BR		
10	11-800069	1	PLUG, 1/2 SOCHD BR		
11	790132	1	MLDG, WATER BOX		
12	19-807014	1	BALL, FLOAT		
13	790411	1	ROD, FLOAT (1/4-20 X 4") SS		
14	57006	1	NUT, 1/2-20 HEX		
15	11-800432	1	CAP, WATER BOX		
16	57047	2	NUT, 1/4-20 HEX NYLOCK		
17	02-000066	4	FLATWASHER, 1/4		
18	00-000286	2	SCR, CAP 1/4-20 X 2.75 HXHD		
19	790437	1	STRAP, WTR BOX HOLDDOWN		
20	15-808075	1	VLV, TEMP REL 145DEG		
21	12-800261	1	ELL, 1/8P X 1/4T 45 DEG		
22	11-800299	1	ELL, STREET 1/2 45 DEG		
23	11-800085	1	TEE, 1/2 BRASS		
24	11-800020	1	BUSH, 1/4 X 1/4 BR		
25	12-800060	1	CONN, 1/4P X 1/4T BR		
26	52-501706	1	NUT, FLOAT VALVE		
27	16-808217	1	BODY, FLOAT LVL		
28	00-000337	1	SCR, 10-32 X 1" SOCHD SST		
29	16-808216	1	ARM, PIVOT-FH VLV		
30	16-808219	1	PISTON, FH VLV		
31	16-808164	1	SEAT, FLOAT VLV		
32	57090	1	NUT, 10-32 HEX NYLOCK SS		

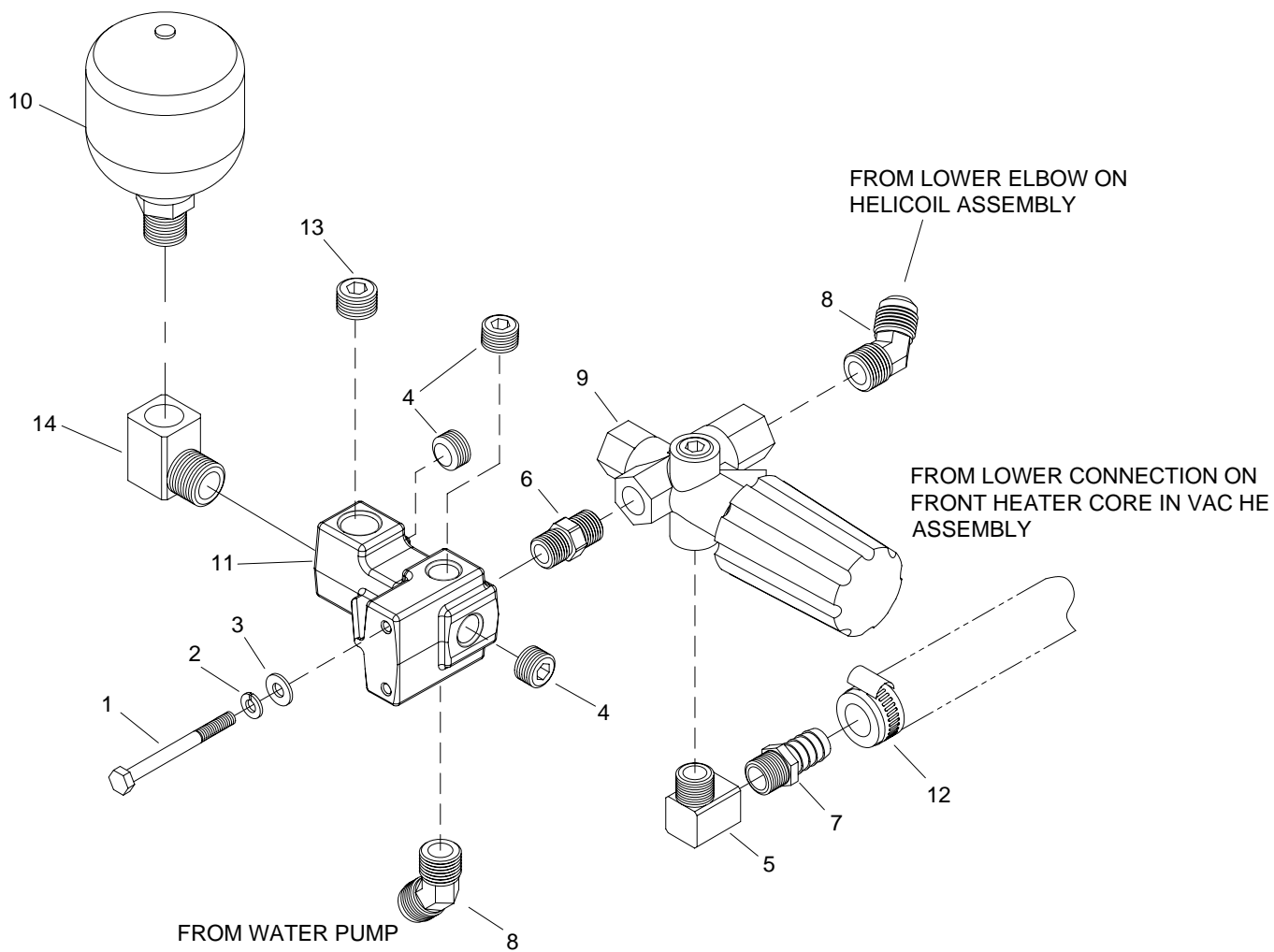
WATER BOX-PPHP



WATER BOX-PPHP

REF	PART NO.	QTY	DESCRIPTION	SERIAL NO. FROM	NOTES:
1	11-800041	1	ELL, STREET 1/2 BR		
2	12-800269	2	FTTG, BRB 1/2P X 5/8H BR		
3	03-000246	7	CLAMP, HOSE #8 SST		
4	11-800361	1	ELL, 1/2 BR		
5	15-808110	1	VALVE, FLOAT		
6	11-800300	3	NIP, 1/2 X CL		
7	14-806540	2	STRAINER, SUC END 1/2FP		
8	03-000113	2	CLAMP, HOSE #12 SST		
9	12-800278	1	FTTG, BRB 1/2P X 3/4H BR		
10	12-800060	1	CONN, 1/4P X 1/4T BR		
11	790132	1	MLDG, WATER BOX		
12	19-807014	1	BALL, FLOAT		
13	790411	1	ROD, FLOAT (1/4-20 X 4") SS		
14	57006	1	NUT, 1/2-20 HEX		
15	11-800432	1	CAP, WATER BOX		
16	57047	2	NUT, 1/4-20 HEX NYLOCK		
17	02-000066	4	FLATWASHER, 1/4		
18	00-000286	2	SCR, CAP 1/4-20 X 2.75 HXHD		
19	790437	1	STRAP, WTR BOX HOLDDOWN		
20	15-808075	1	VLV, TEMP REL 145DEG		
21	12-800261	1	ELL, 1/8P X 1/4T 45 DEG		
22	11-800299	1	ELL, STREET 1/2 45 DEG		
23	11-800085	1	TEE, 1/2 BRASS		
24	11-800020	1	BUSH, 1/4 X 1/4 BR		

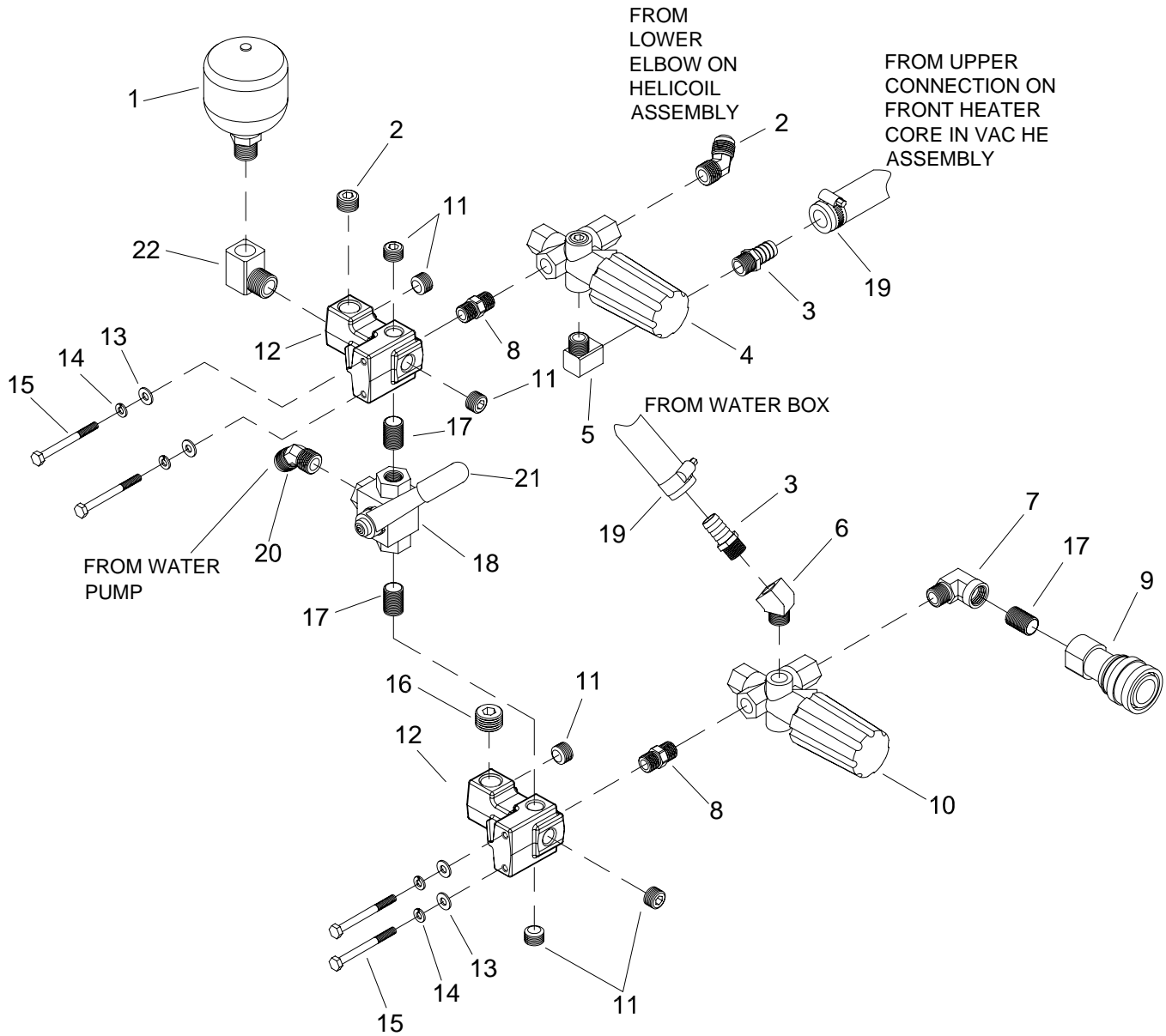
PRESSURE REGULATOR-PP



PRESSURE REGULATOR -PP

REF	PART NO.	QTY	DESCRIPTION	SERIAL NO. FROM	NOTES:
1	00-000286	2	SCR, CAP 1/4-20 X 2.75 HXHD		
2	87162	2	WASHER, 1/4 SPLIT LOCK		
3	02-000066	2	FLATWASHER, 1/4		
4	11-800224	2	PLUG, 3/8 SOCHD BR		
5	11-800275	1	ELL, ST 3/8 BR		
6	11-800429	1	NIP, HEX 3/8 SSTS		
7	12-800345	1	FTTG, BRB 3/8P X 5/8 H BR		
8	12-800347	2	ELL, 3/8P X 1/2T 45 DEG BR		
9	790067	1	REGULATOR , PRESSURE		
10	790106	1	ACCUMULATOR		
11	790901	1	MANIFOLD, PRESSURE		
12	03-000246	1	CLAMP, HOSE #8 SST		
13	11-800069	1	PLUG, 1/2 SOCHD BR		
14	11-800041	1	ELL, STREET 1/2 BR		

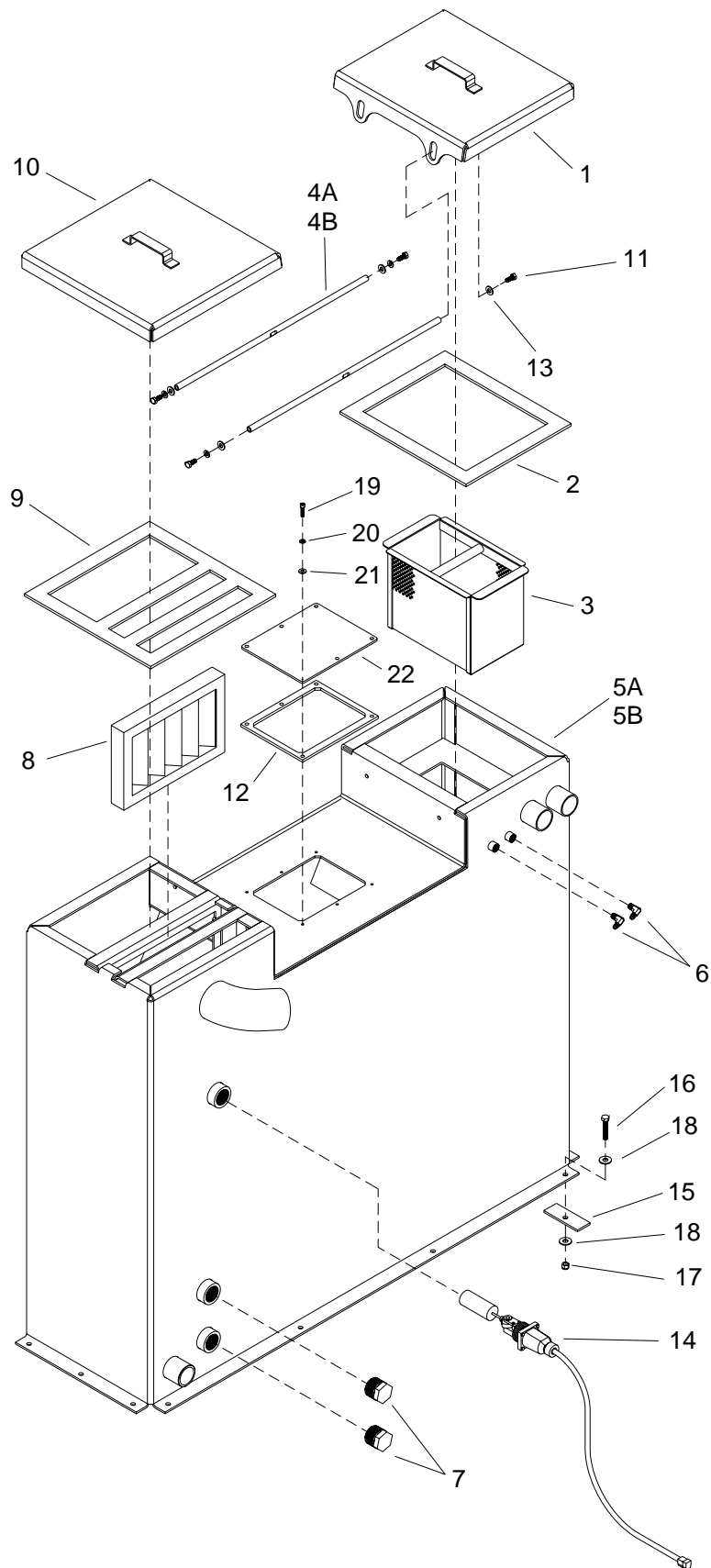
PRESSURE REGULATOR-PPHP



PRESSURE REGULATOR-PPHP

REF	PART NO.	QTY	DESCRIPTION	SERIAL NO. FROM	NOTES:
1	790106	1	ACCUMULATOR, 250PSI CAT 6026		
2	12-800347	1	ELL, 3/8P X 1/2T 45 EG. BR		
3	12-800345	2	FTTG, BRB 3/8P X 5/8H BR		
4	790067	1	REG, PRESS CAT #7670AWI		
5	11-800275	1	ELL, ST 3/8 BR		
6	11-800341	1	ELL, ST 3/8 45 DEG BR		
7	11-800240	1	ELL, ST 3/8 SST		
8	11-800429	2	NIP, HEX 3/8 SST		
9	13-806040	1	DSC, 3/8F X 3/8FP SST		
10	15-808147	1	REG, PRESS CAT #7672 7 GPM		
11	11-800224	6	PLG, 3/8 SOCHD BR		
12	790901	2	MNFLD, PRESS		
13	02-000066	4	FLATWASHER, 1/4		
14	87162	4	WASHER, 1/4 SPLIT LOCK		
15	00-000286	4	SCR, CAP 3/4-16 X 6 HXHD		
16	11-800069	2	PLUG, 1/2 SOCHD BR		
17	11-800368	3	NIP, 3/8 X CL SST		
18	84192	1	VALVE, BALL, 3-WAY, HIPRESS/HI TEMP		INCLUDES ITEM 21
19	03-000246	4	CLAMP, HOSE #8 SST		
20	790478	1	ELBOW, 3/8P X 1/2T 45DEG SS		
21	38317	1	HNDL, VALVE, 3-WAY, HI P/T		
22	31098	1	ELL, STREET 1/2 BR		

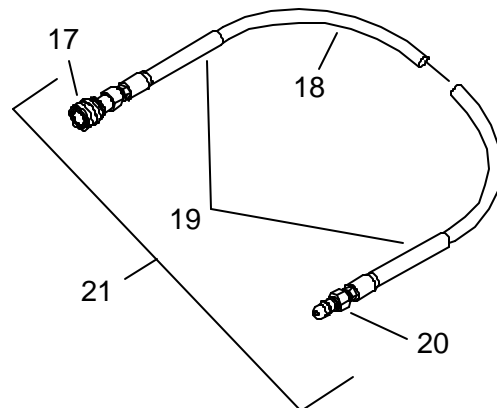
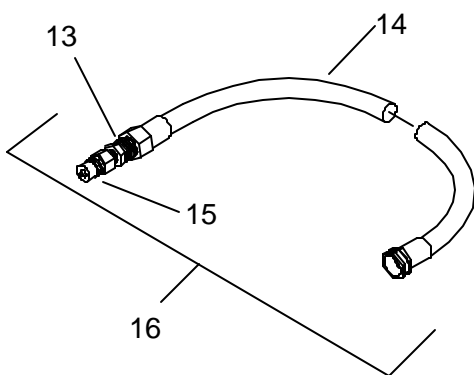
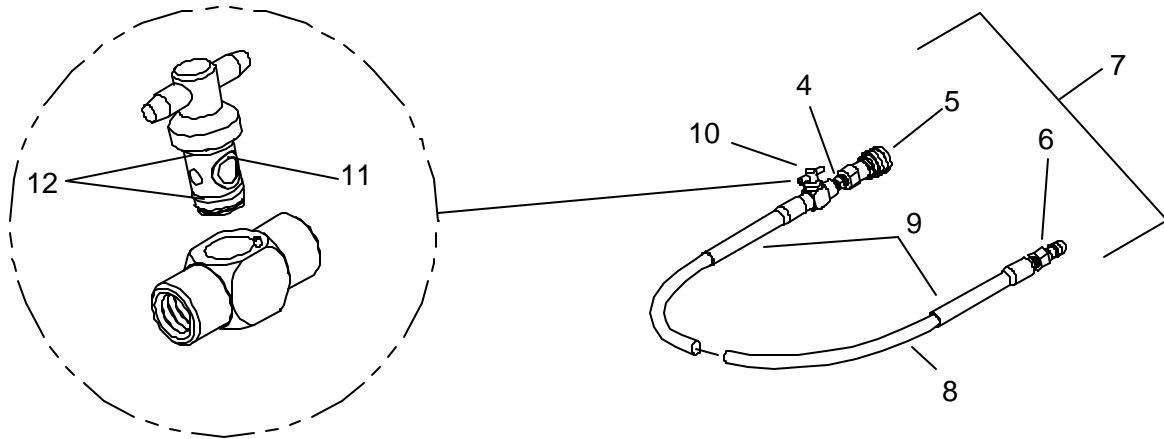
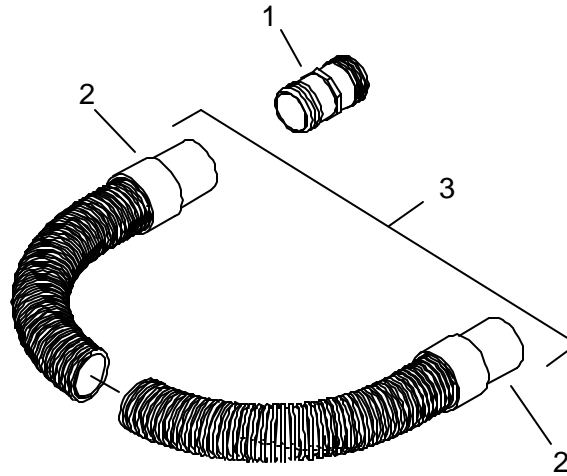
WASTE TANK-80 GAL. & 100 GAL.



WASTE TANK-80 GAL. & 100 GAL.

REF	PART NO.	QTY	DESCRIPTION	SERIAL NO. FROM	NOTES:
1	790125	1	LID, STRAINER, WST TNK		
2	790448	1	GASKET, WASTE TANK		
3	56-501793	1	STRAINER BOWL		
4A	790475	2	ROD, WST TNK LID SST, 100 GAL		
4B	790514	2	RD, LID, ST TNK SST, 80 GAL		
5A	790470	1	TNK, WASTE, 100 GAL		
5B	790509	1	TNK, WST, 80 GAL		
6	12-800031	2	ELL, 1/4P X 1/4T BR		
7	11-800402	2	PLUG, 1-1/4 HXHD PVC		
8	14-806569	1	STRNR, WST TNK RECT. 1.5"		
9	790351	1	GASKET, WASTE TANK		
10	790124	1	LID, FILTER, WST TANK		
11	70432	4	SCR, 5/16-24 X 3/4 HHCS SS		
12	43-807574	1	GSKT, ACCESS PNL-WST TNK		
13	87029	4	WASHER, 5/16 FLAT SS		
14	791066	1	SWITCH, FLOAT, N.C. HARWIL		
15	62986	4	PLATE TRUCKMOUNT		
16	00-000072	10	SCR, 3/8-16 X 2" HXHD		
17	57119	10	NUT, 3/8-16 HEX NYLOCK		
18	87171	21	WASHER, 3/8 FLAT		
19	70018	6	SCR, CAP 1/4-20 X 1 HHCS SS		
20	87162	6	WASHER, 1/4 SPLIT LOCK		
21	02-000066	6	FLATWASHER, 1/4		
22	50-502085	1	PNL, ACCESS-WST TNK		

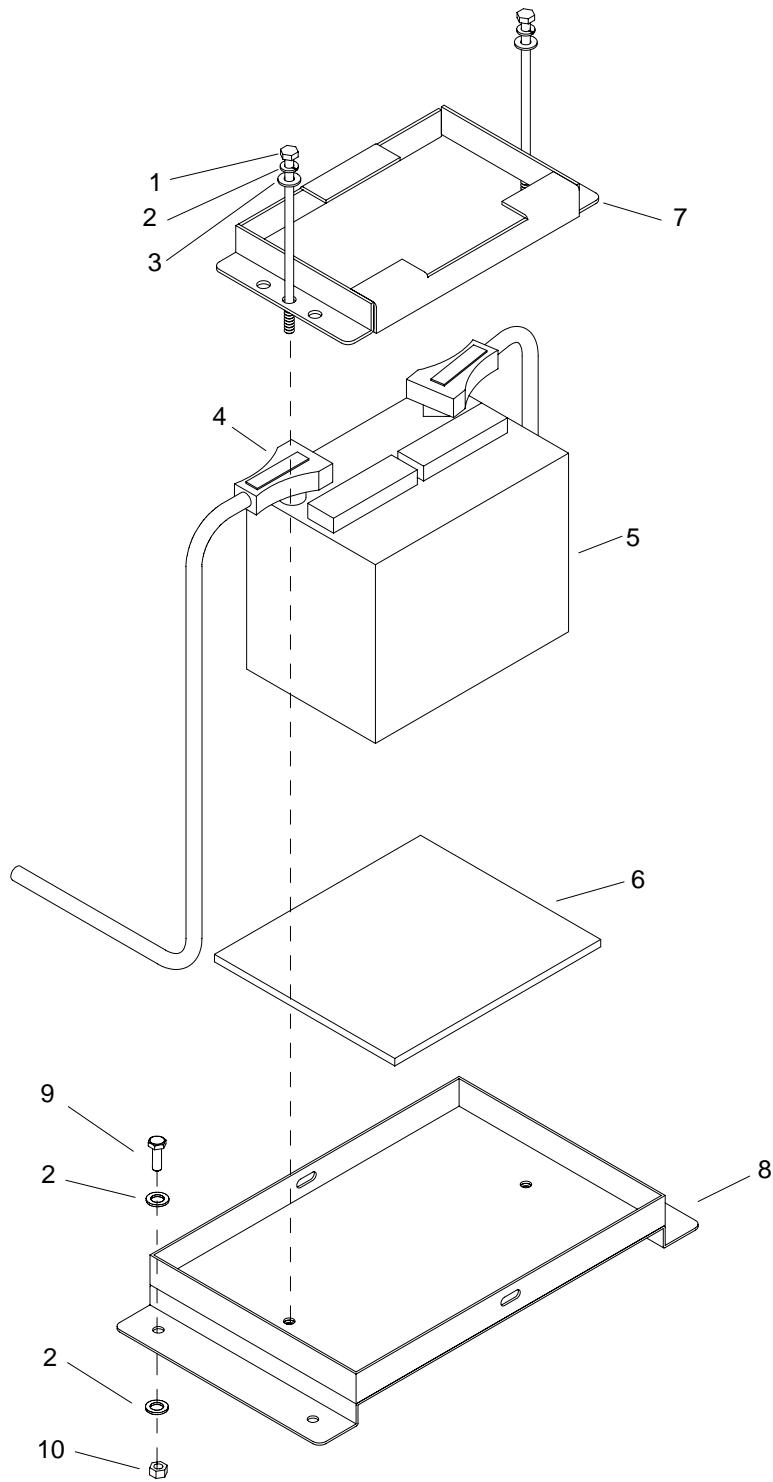
HOSE ACCESSORIES



HOSE ACCESSORIES

REF	PART NO.	QTY	DESCRIPTION	SERIAL NO. FROM	NOTES:
1	12-800078	1	FITTING, BRB 2H BS PVC		
2	08-805147	2	CUFF, 2"		
3	10-805060	1	HOSE, VAC 2"X50' W/ CUFFS & HOSE		
4	56015	1	NIPPLE, 1/4 HEX		
5	22015	1	COUPLER, 1/4 QD		
6	56012	1	NIPPLE, 1/4 FPT QD		
7	10-805108	1	HOSE, HP 1/4 X 50FT W/QD & VLVE		
8	10-805077	1	HOSE, HP 1/4 X 50'		
9	08-805155	2	GUARD, HOSE VINYL		
10	15-808012	1	VALVE, BALL 1/4FP		
11	43-810014	2	O-RING, 7/32ID X 11/32OD		
12	43-810019	2	O-RING, 3/8 ID X 1/2 OD		
13	11-800354	1	NIP, 1/2 X 3/8 HEX BR		
14	10-805157	1	HOSE, WATER 1/2 X 50'		
15	13-806009	1	DISCONNECT 3/8M X 3/8FP		
16	10-805295	1	HOSE, WATER 1/2 X 50'		
17	22015	1	COUPLER, 1/4 QD		
18	10-805077	1	HOSE, HP 1/4 X 50'		
19	08-805155	2	GUARD, HOSE VINYL		
20	56012	1	NIPPLE, 1/4 FPT QD		
21	10-805122	1	HOSE, HP 1/4 X 50FT W/QD		

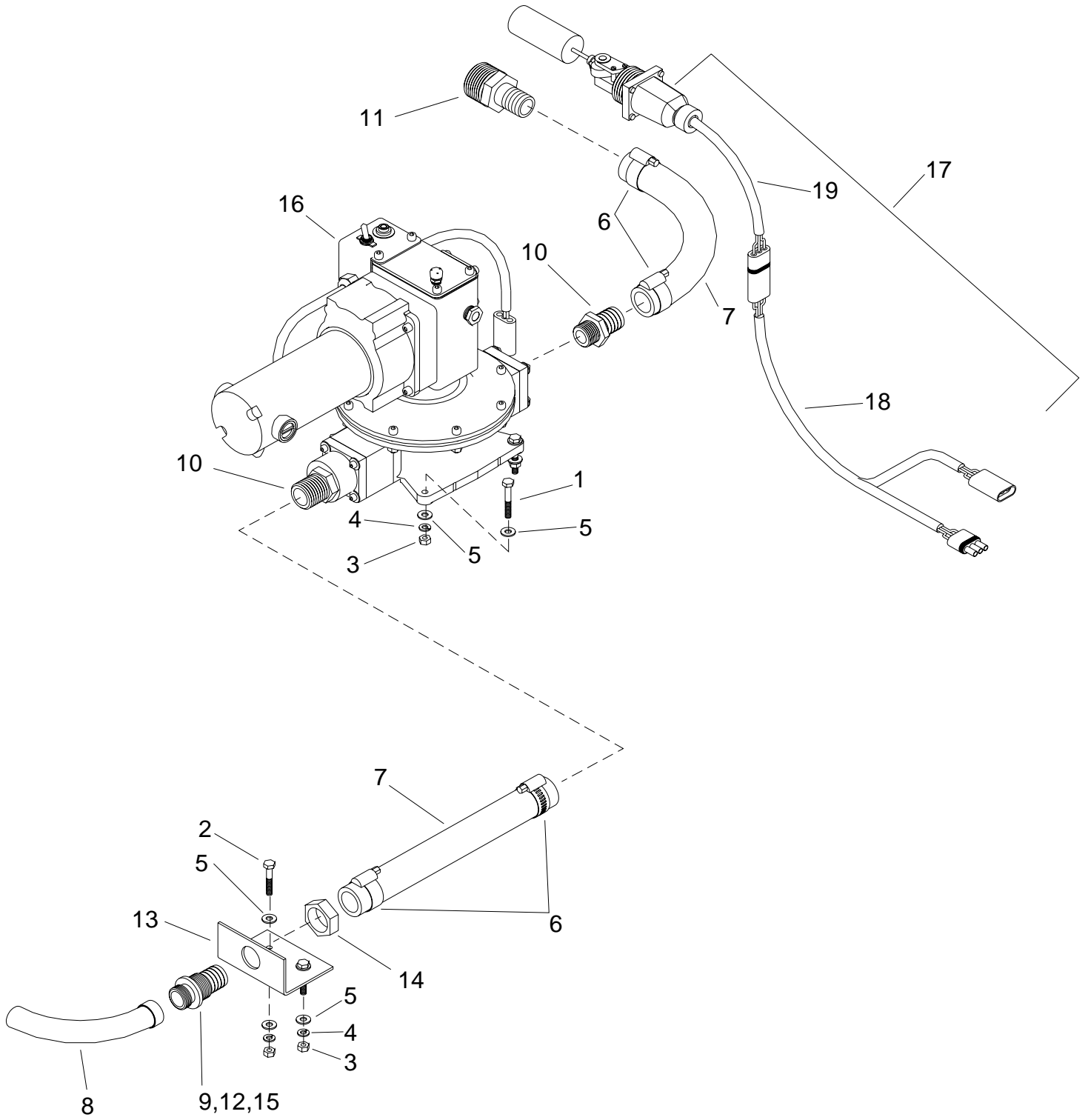
BATTERY-FLOOR MOUNT



BATTERY-FLOOR MOUNT

REF	PART NO.	QTY	DESCRIPTION	SERIAL NO. FROM	NOTES:
1	00-000167	2	SCR, 1/4-20 X 6" HXHD		
2	87162	2	WASHER, 1/4 SPLIT LOCK		
3	02-000066	10	FLATWASHER, 1/4		
4	31-900179	1	COVER, BATTERY TERMINAL		
5	36-900056	1	BATTERY		
6	47-700007	1	SHIELD, BAT MT HT		
7	56-500188	1	COVER, BATTERY		
8	56-502049	1	TRAY, BAT FLOOR MT		
9	00-000132	4	SCR, 1/4-20 X 1-1/2 HXHD		
10	57006	4	NUT, 1/4-20 HEX		

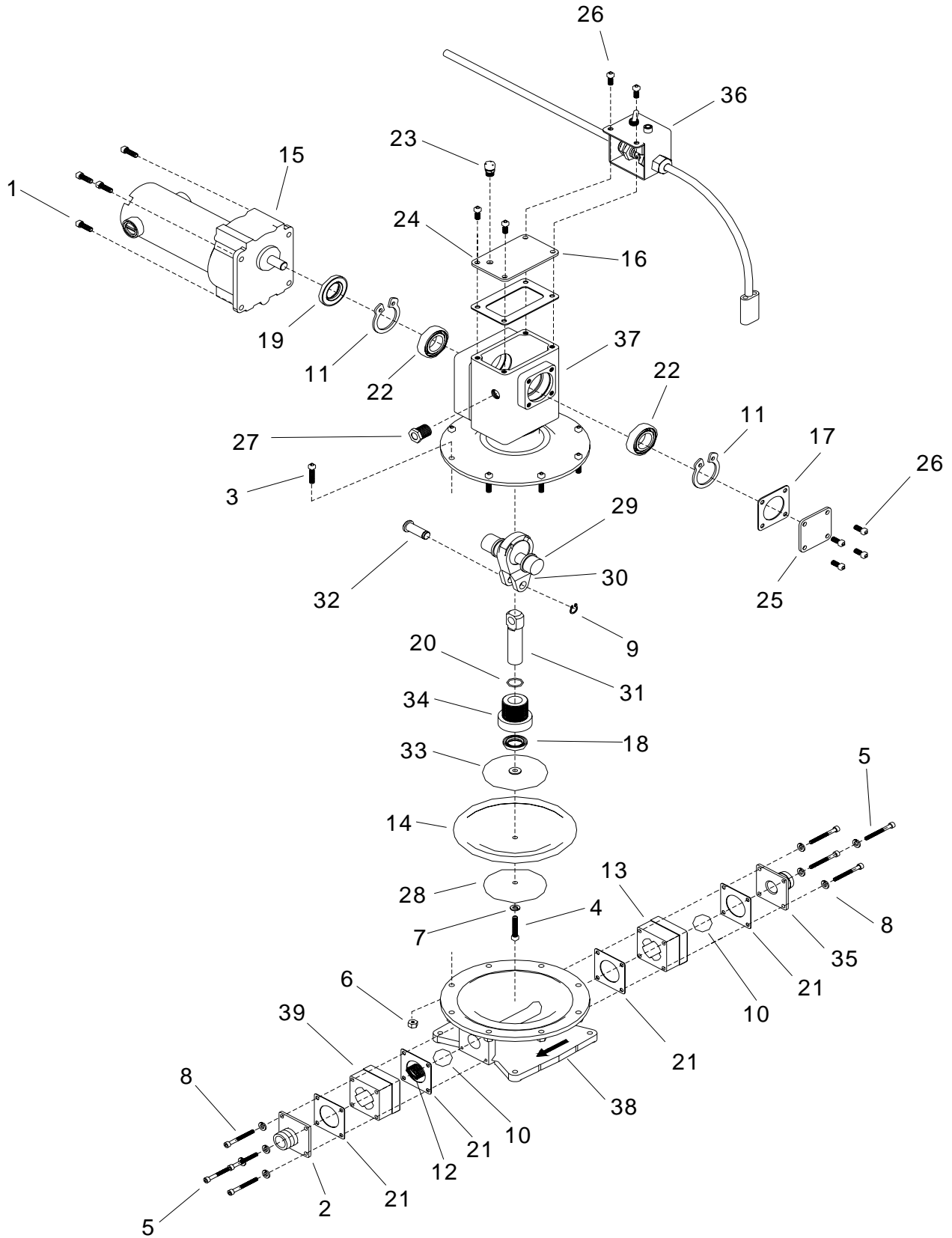
AUTOMATIC PUMPOUT-OPTIONAL



AUTOMATIC PUMPOUT-OPTIONAL

REF	PART NO.	QTY	DESCRIPTION	SERIAL NO. FROM	NOTES:
1	70105	4	SCR, M4 X 60 PH		
2	00-000132	2	SCR, 1/4-20 X 1/ 1/2 HXHD		
3	57006	4	NUT, 1/4-20 HEX		
4	87162	4	WASHER, 1/4 SPLIT LOCK PLTD		
5	02-000066	4	FLATWASHER, 1/4		
6	03-000176	4	CLAMP, HOSE #16		
7	09-805591	1	HOSE, WASTE PUMP 1" X 8'		
8	10-805484	1	HOSE, GARDEN 3/4 X 75'		
9	12-800052	1	CAP, HOSE 3/4 BR		
10	12-800367	1	FTTG, BRB 1PX1H BR		
11	12-800444	1	FTTG, 1-1/4P X 1" H BR		
12	43-807008	1	WASHER, HOSE 5/8 ID 1" OD		
13	50-502055	1	BRKT, CTR HOOD FR		
14	52-000123	1	NUT, 1-3/16-12 UN HXHD		
15	52-501993	1	CONN, HOSE WATER OUTL		
16	61-951306	1	PUMP, HD AUTO		
17	61-951319	1	ASSY, LVL SENS SHUT OFF SW		
18	23719	1	CORD ASM, CNCTN SIDE		
19	72185	1	SWITCH ASSEMBLY		

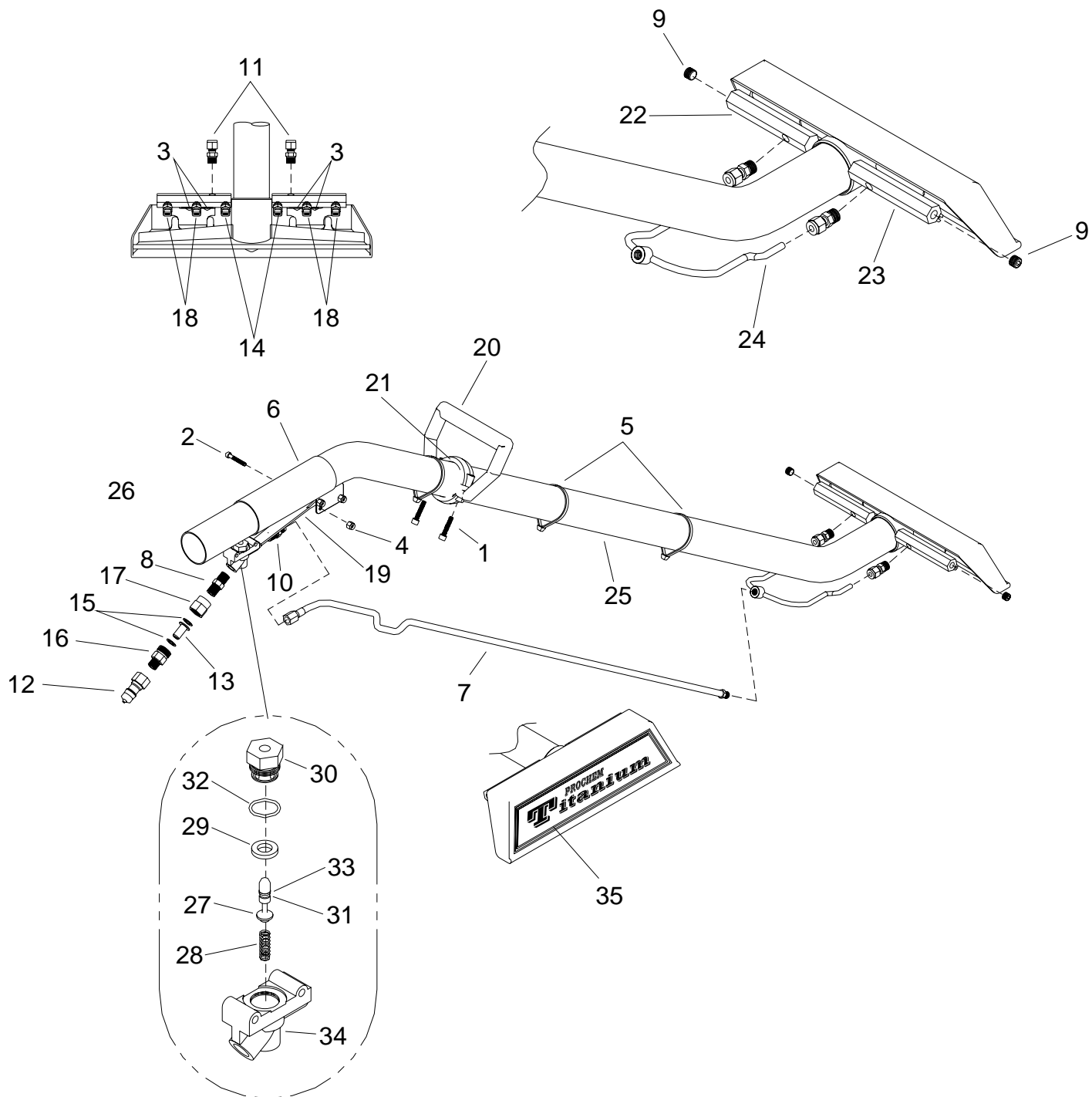
AUTOMATIC PUMPOUT-OPTIONAL



AUTOMATIC PUMPOUT-OPTIONAL

REF	PART NO.	QTY	DESCRIPTION	SERIAL NO. FROM	NOTES:
1	00-000210	4	SCR, 1/4-20 X 3/4 SOCHD		
2	52-502064	1	CVR, OUTLET WST PMP-OUT		
3	00-000312	8	SCR, CAP 1/4 X 1 SOCHD		
4	00-000399	1	SCR, CAP 1/4 X 1 3/8 SOC		
5	00-000241	8	SCR, CAP 10-32 X 2 SOCHD SS		
6	57245	8	NUT, 1/4-20 HEX NYLOCK SS		
7	87162	1	WASHER, 1/4 SPLIT LOCK		
8	87165	8	WASHER, #10 SPLIT LOCK		
9	04-000312	1	RING, RETAIN EXT 1/2		
10	04-000334	2	BALL, NYL ID		
11	04-000335	2	RING, SNAP 1-7/8D		
12	04-000342	1	SPRING, PUMP-OUT BALL PRESS		
13	52-502061	1	BDY, INLET WST PMP-OUT		
14	16-808241	1	DIAPH, WST TNK PMP-OUT		
15	40-902151	1	MOTOR, 1/8HP 12V		
16	43-807117	1	GSKT, CVR TOP PMPOUT		
17	43-807118	1	GSKT, CVR SD PMPOUT		
18	43-810091	1	SEAL, PUMPOUT SHFT		
19	43-810100	1	SEAL PUMPOUT CAM		
20	43-810101	1	O-RING, 800/1000 .072		
21	43-810106	4	O-RING, 1-13/16 ID X 2 OD HDWP		
22	45-801927	4	BRG, SHFT PUMP-OUT		
23	49-876301	1	VENT, UPR SHFT BRNG HSG		
24	50-502025	1	PL, CVR TOP PUMP-OUT		
25	50-502026	1	PL, CVR SD PUMP-OUT		
26	70094	8	SCR, 1/4-20 X 1/2 SHCS SS		
27	11-800504	1	GA, FLOW SIGHT 3/8 NPT		
28	52-501828	1	BTM, PLNGR WST TNK PMP-OUT		
29	52-501829	1	SHT, 3/4" STROKE WST TNK		
30	52-501914	1	RD, CONNECT WST PMP-OUT		PART OF 31
31	52-501915	1	GUIDE, PLNGR WST PUMP-OUT		INCL. 32, 18, 30
32	52-501921	1	PIN, WRIST PUMP-OUT		
33	52-501934	1	TOP, PLNGR PUMP-OUT		
34	52-501950	1	BUSH, THREADED		
35	52-502062	1	CVR, INLET WST PMP-OUT		
36	56-502428	1	BRKT, PMP-OUT SW/CCT BRKR		
37	52-501821	1	TOP, WST TNK PUMP-OUT		
38	52-501820	1	BASE, WST TANK PMP-OUT		
39	52-502063	1	BDY, INLET WST PMP-OUT		

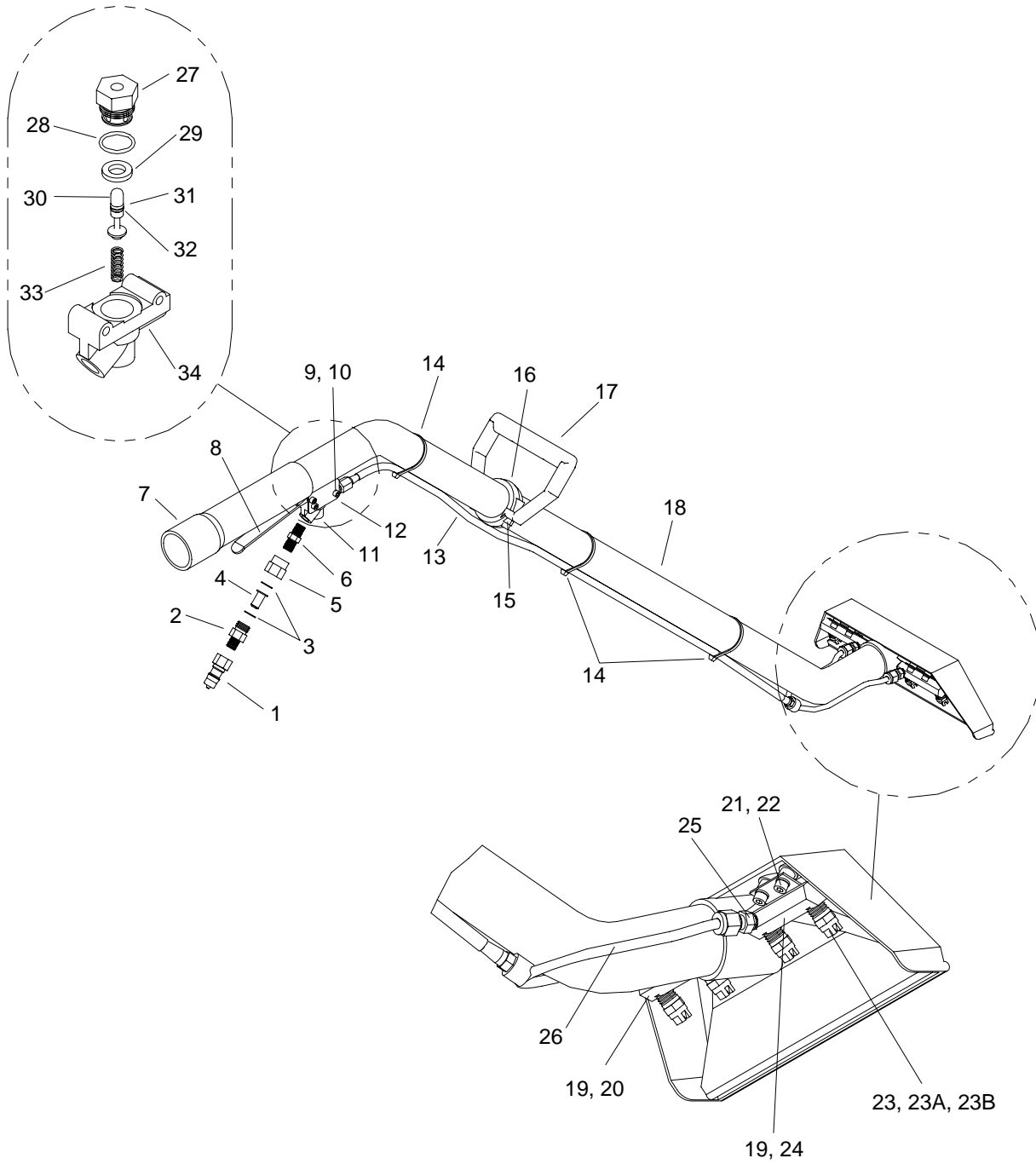
WAND- TITANIUM SIX JET-OPTIONAL



WAND- TITANIUM SIX JET-OPTIONAL

REF	PART NO.	DESCRIPTION	SERIAL NO. FROM	NOTES:
1	00-000282	SCR, CAP 1/4-20 X 1 1/4 SOC		
2	00-000317	SCR, CAP 10-32 X 1 1/4 SOCH		
3	70228	SCR, 10-32 X 1/4 PPHMS SS		
4	57090	NUT, 10-32 HEX NYLOCK SS		
5	04-000093	TIE, CABLE 13"		
6	09-805603	HOSE, INT VAC 4-1/2 X 48		
7	10-805504	HOSE, 3/16 X 44-1/2		
8	56015	NIPPLE, 1/4 HEX		
9	11-800206	PLUG, 1/8 SOCHD BR		
10	12-800060	CONN, 1/4P X 1/4T BR		
11	12-800322	CONN, 1/8P X 1/4T COMP BR		
12	56012	NIPPLE, 1/4 FPT QD		
13	14-806512	STRAINER, JET 50 MESH		
14	17-803018	TIP, SPRAY 9501 X 1/8P SST		
15	17-803006	WASHER, NYLON		
16	17-803010	CONN, 1/4P X 11/16-16M		
17	17-803036	CONN, 1/4FP X 11/16-16F BR		
18	17-803078	TIP, SPRAY 8001 SST 1/8 VJET		
19	52-501619	TRIGGER, WD VALVE		
20	52-502008BK	BODY, WD HDL, 2" TB, BK		
21	52-502009	HOLD DN-WD HDL 2" TUBE		
22	52-502057	MANFOLD, LEFT		
23	52-502058	MANIFOLD, RIGHT		
24	56-502548	ASSY, MNFLD S-BEND		
25	56-502534	WD & HD TITANIUM		
26	61-950496	ASSY, EXTRACTOR VALVE		
27	16-808189	STEM, EXTRACTOR VALVE		
28	16-808190	SPRING, EXTRACTOR VALVE		
29	16-808228	SEAT, EXTRACTOR VALVE		
30	16-808229	HLDR, VLV STEM-EXTRACTOR VL		
31	43-810062	O-RING, .114 ID .254OD		
32	43-810063	O-RING, .551ID .691OD		
33	43-810064	BACK-UP, .250DIA		
34	52-501590	BDY, EXTRACTOR VLV		
35	48-941462	DEC, WD HD TITANIUM		
-	48-941296	BLB, INSPECTION QC (PINK)		

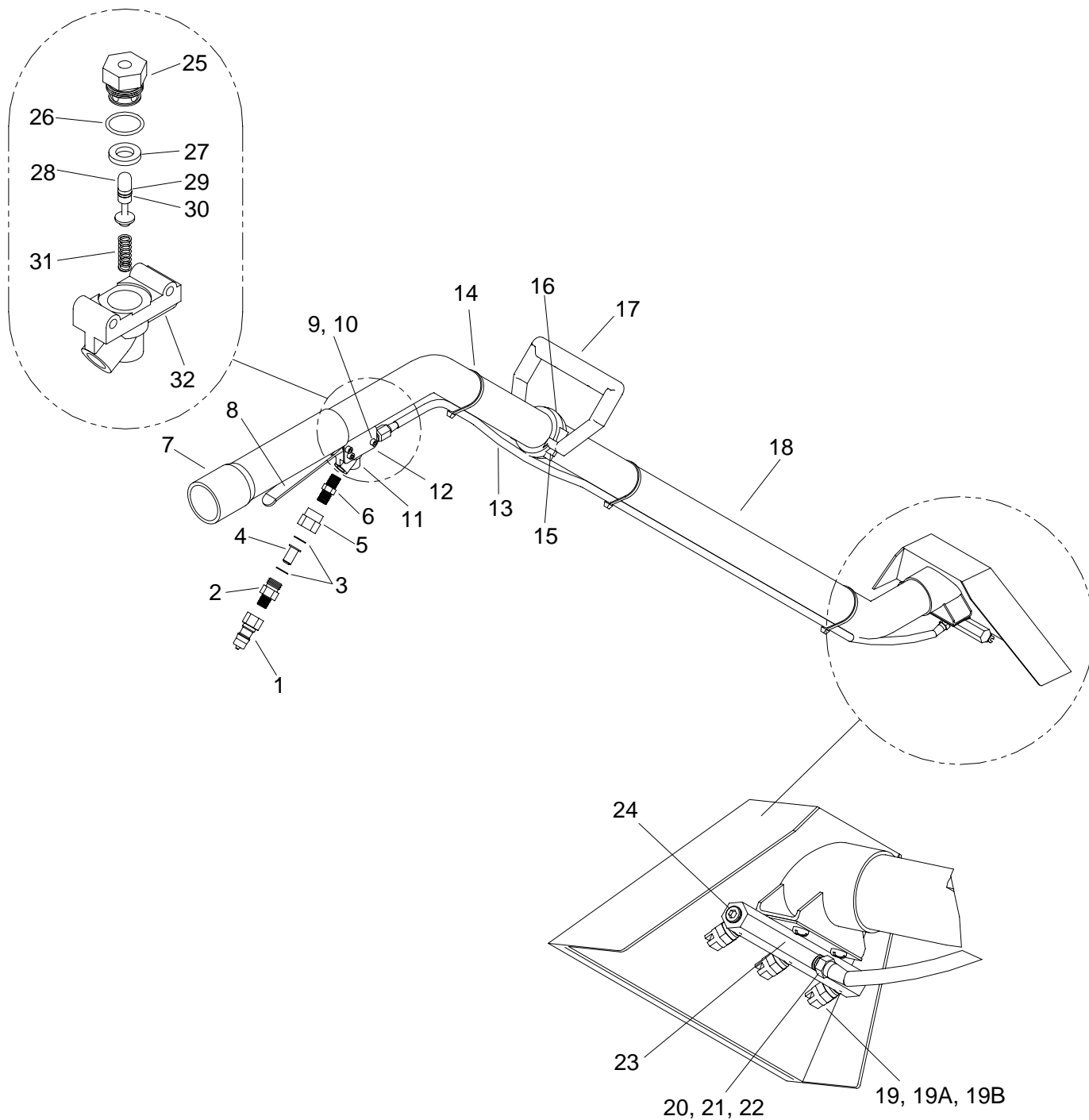
WAND - QUAD-JET - OPTIONAL



WAND - QUAD-JET - OPTIONAL

REF	PART NO.	DESCRIPTION	SERIAL NO. FROM	NOTES:
-	89238	WAND, TM, QJW (95015) PC		COMPLETE
-	89239	WAND, TM, QJW (9502) PC		COMPLETE
-	89237	WAND, TM QJW (9501) PC		COMPLETE
-	89235	WAND, TM, QJW, (9501) NO DECAL		COMPLETE
1	56012	NIPPLE, 1/4 FPT QD		
2	17-503010	CONN, 1/4P X 11/16-16M		
3	17-803006	WASHER, NYLON		
4	14-806512	STRAINER, JET 50 MESH		
5	17-803036	CONN, 1/4FP,11/16-16R BR		
6	56015	NIPPLE, 1/4 HEX		
7	09-805359	SLEEVE, WD HDL 9.5		
8	52-501619	TRIGGER, WD VLV		
9	00-000317	SCR, CAP 10-32X 1-1/4 SOCH		
10	57090	NUT, 10-32 HEX NYLOCK SS		
11	61-950496	ASSY, EXTRCTR VLV		
12	12-800060	CONN, 1/4P X 1/4T BR		
13	10-805387	HOSE, 3/16 X 43-1/2 (1/8P X 1/4)		
14	04-000053	TIE, CABLE 8" WHT		
15	00-000282	SCR, CAP 1/4-20 X 1-1/4 SOC		
16	52-501569	HOLD DOWN, WD HDL		
17	52-501568	BODY, WD HDL		
18	56-501940	WAND & HEAD, CAST SST		
19	11-800206	PLUG, 1/8 SOCHD BR		
20	56-501966	ASSY, L S-BEND MNFLD		
21	00-000347	SCR, CAP 10-24 X1/4 SOCHD		
22	87165	WASHER, #10 SPLIT LOCK		
23	17-803001	TIP, SPRY 95015X1/8P SST		89238
23A	17-803002	TIP, SPRY 9502X1/8P SST		89239
23B	17-803018	TIP, SPRY 9501X1/8P SST		89237 89235 (NO DECAL)
24	56-501986	ASSY, RT S-BEND MNFLD		
25	12-800322	CONN, 1/8PX1/4T COMP BR		
26	56-501967	ASSY, S-BEND MNFLD		
27	16-808229	HOLDER, VLV STEM-EXTRCTR VL		
28	43-810063	O-RING, .551 ID .691 OD		
29	16-808228	SEAT, EXTRCTR VLV		
30	16-808189	STEM, EXTRCTR VLV		
31	43-810064	BACK-UP, .250 DIA		
32	43-810062	O-RING, .144 ID .254 OD		
33	16-808190	SPRING, EXTRCTR VLV		
34	52-501590	BODY, EXTRCTR VLV		
-	48-941186	DECAL, WD HD (CAST SS)		NOT SHOWN
-	66-808169	KIT, REP-WD VLV		NOT SHOWN INCLUDES PARTS 27-29 & 31-33

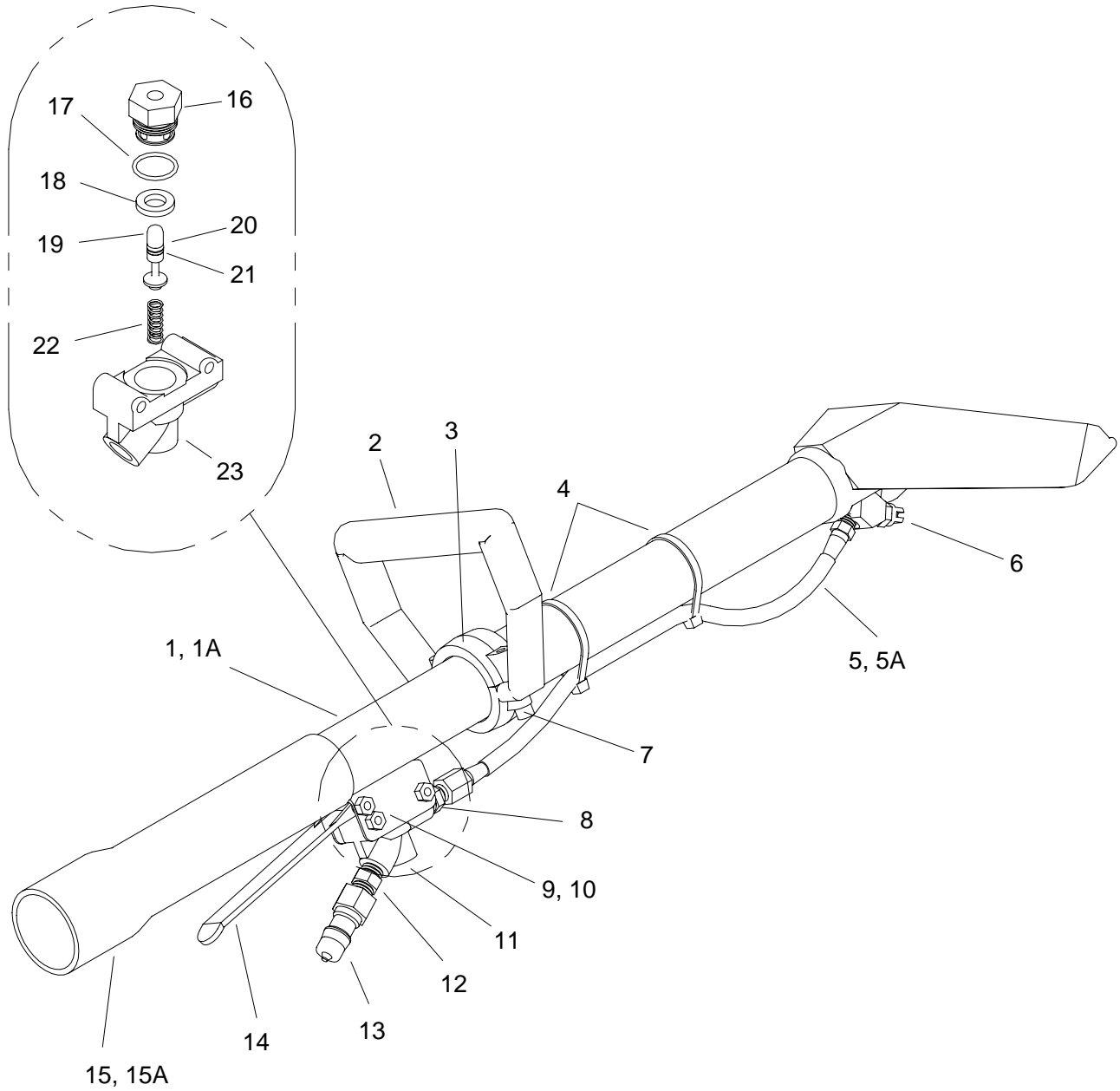
WAND - TRI-JET - OPTIONAL



WAND – TRI - OPTIONAL

REF	PART NO.	DESCRIPTION	SERIAL NO. FROM	NOTES:
-	89233	WAND, TJW (9502) PC		COMPLETE
-	89232	WAND, TJW, (95015) CUBXL		COMPLETE
-	89234	WAND, TJW, (9503) PC		COMPLETE
1	56012	NIPPLE, 1/4 FPT QD		
2	17-503010	CONN, 1/4P X 11/16-16M		
3	17-803006	WASHER, NYLON		
4	14-806512	STRAINER, JET 50MESH		
5	17-803036	CONN, 1/4FP,11/16-16R BR		
6	56015	NIPPLE, 1/4 HEX		
7	09-805359	SLEEVE, WD HDL 9.5		
8	52-501619	TRIGGER, WD VLV		
9	00-000317	SCR, CAP 10-32X 1-1/4 SOCH		
10	57090	NUT, 10-32 HEX NYLOCK SS		
11	61-950496	ASSY, EXTRCTR VLV		
12	12-800060	CONN, 1/4P X 1/4T BR		
13	10-805253	HOSE, 3/16X49 (1/8P X 1/4FT)		
14	04-000053	TIE, CABLE 8" WHT		
15	00-000282	SCR, CAP 1/4-20 X 1-1/4 SOC		
16	52-501569	HOLD DOWN, WD HDL		
17	52-501568	BODY, WD HDL		
18	56-501712	WAND & HEAD, TRI-JET WD		
19	17-803002	TIP, SPRY 9502X1/8P SST		89233
19A	17-803001	TIP, SPRY 9501X1/8P SST		89232
19B	17-803046	TIP, SPRY 9503X1/8P SST		89234
20	70162	SCR, 10-32 X 3/8 PPHMS SS		
21	87165	WASHER, #10 SPLIT LOCK		
22	57014	NUT, 10-32 HEX SS		
23	56-501739	MANIFOLD, WD TRI-JET		
24	11-800206	PLUG, 1/8 SOCHD BR		
25	16-808229	HOLDER, VLV STEM-EXTRCTR VL		
26	43-810063	O-RING, .551 ID .691 OD		
27	16-808228	SEAT, EXTRCTR VLV		
28	16-808189	STEM, EXTRCT VLV		
29	43-810064	BACK-UP, .250DIA		
30	43-810062	O-RING, .114ID .254OD		
31	16-808190	SPRING, EXTRCTR VLV		
32	52-501590	BODY, EXTRCTR VLV		
-	48-941166	DECAL, WD HD		NOT SHOWN
-	66-808169	KIT, REP-WD VLV		NOT SHOWN INCLUDES PARTS 25-27 & 29-31

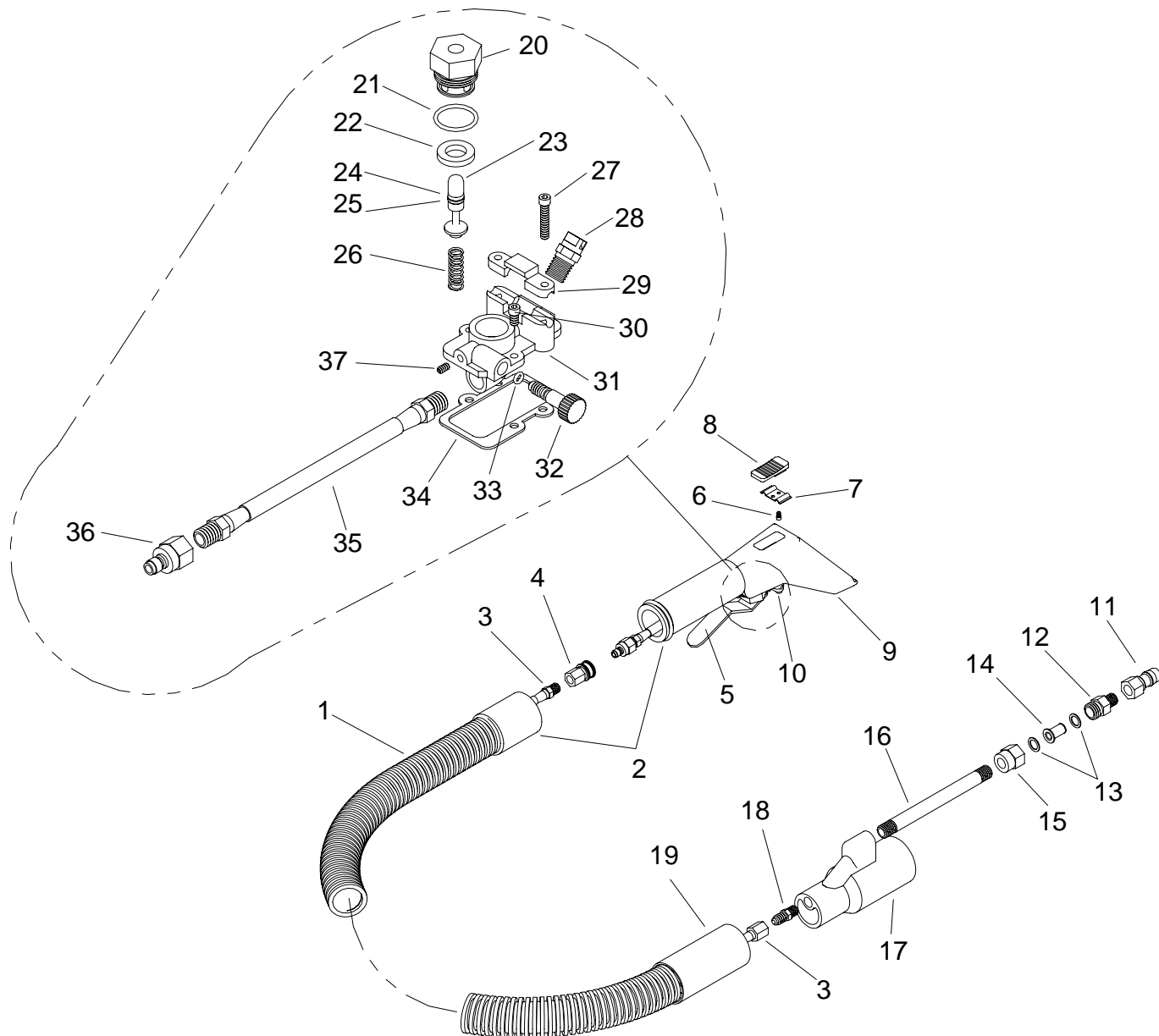
STAIR TOOL-OPTIONAL



STAIR TOOL-OPTIONAL

REF	PART NO.	DESCRIPTION	SERIAL NO. FROM	NOTES:
-	78519	TL, STAIR, LNG, TM DJ (80015)		COMPLETE
-	78521	TL, STAIR, SHT, TM (80015)		COMPLETE
1A	56-501715	WAND & HEAD, STAIR TL		
1B	56-501907	WAND & HEAD, SHRT STAIR TL		
2	52-501576	BODY, WD HDL PORT		
3	52-501577	HOLD DOWN, WD HDL PORT		
4	04-000053	TIE, CABLE 8" WHT		
5A	10-805330	HOSE, 3/16X13-3/4 (1/8PX1/4)		
5B	10-805397	HOSE, 3/16X7-1/2 (1/8P X 1/4F)		
6	17-803002	TIP, SPRY 9502X1/8P SST		
7	00-000282	SCR, CAP 1/4-20 X 1-1/4 SOC		
8	12-800060	CONN, 1/4P X 1/4T BR		
9	00-000317	SCR, CAP 10-32X1-1/4 SOCH		
10	57090	NUT, 10-32 HEX NYLOCK SS		
11	61-950496	ASSY, EXTRCTR VLV		
12	56015	NIPPLE, 1/4 HEX		
13	56012	NIPPLE, 1/4 FPT QD		
14	52-501619	TRIGGER, WD VLV		
15A	09-805359	SLEEVE, WD HDL 9.5		
15B	09-805504	SLEEVE, STAIR TL HDL 7-1/8		
16	16-808229	HOLDER, VLV STEM-EXTRCTR VL		
17	43-810063	O-RING, .551 ID .691 OD		
18	16-808228	SEAT, EXTRCTR VLV		
19	16-808189	STEM, EXTRCTR VLV		
20	43-810064	BACK-UP, .250DIA		
21	43-810062	O-RING, .114 ID .254 OD		
22	16-808190	SPRING, EXTRCTR VLV		
23	52-501590	BODY, EXTRCTR VLV		
-	48-941163	DECAL, STAIR TL		NOT SHOWN
-	66-808169	KIT, REP-WD VLV		NOT SHOWN INCLUDES PARTS 16-19 & 20-22

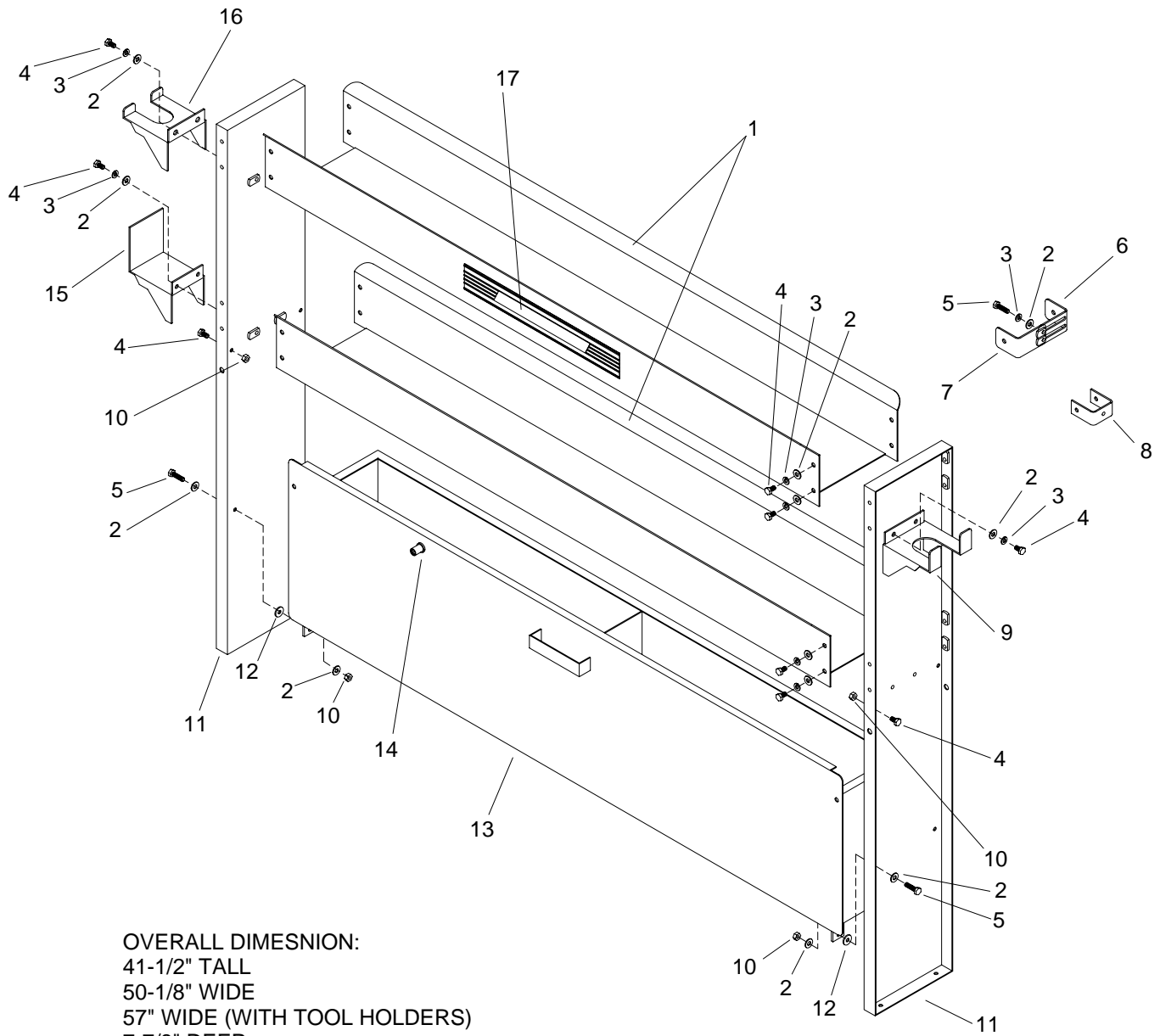
UPHOLSTERY TOOL-OPTIONAL



UPHOLSTERY TOOL-OPTIONAL

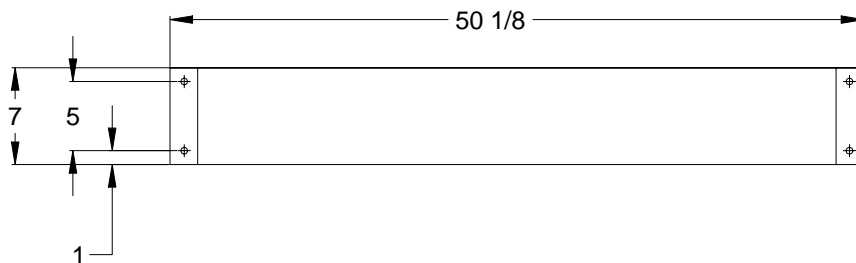
REF	PART NO.	QTY	DESCRIPTION	SERIAL NO. FROM	NOTES:
-	78513	1	TL, UPHOLST, PC (80015)		COMPLETE
1	09-805131	2	HOSE, VAC 1-1/4X10' BLU		
2	08-805243	1	CUFF, SWIV 1-1/4HX1-1/4T		
3	10-805347	1	HOSE, 3/16X119-1/2 (1/8PX1/4FT)		
4	13-806023	1	DSC, 1/8FC1/8FP SST		
5	58-500639	1	UPHOLSTERY TL TRIGGER		
6	00-000310	1	SCR, CAP 4-40 X7/32 SHCS SS		
7	04-000282	1	SPRING, VAC ADJ BUTT		
8	52-501624	1	BUTTON, VAC ADJ		
9	52-501842	1	TOOL, UPHOLSTERY		
10	61-950570	1	ASSY, UPHLST TL VLV		INCLUDES PARTS 20-26, 28, & 31- 37
11	560012	1	NIPPLE, 1/4 NPT QD		
12	17-803010	1	CONN, 1/4P X 11/16-16M		
13	17-803006	1	WASHER, NYLON		
14	14-806512	1	STRAIRNER, JET 50MESH		
15	17-803036	1	CONN, 1/4FPX11/16-16F BR		
16	11-800404	1	NIP, 1/4X5 SST		
17	52-501585	1	COUPLER, UPHLST TL		
18	12-800065	1	CONN, 1/8P X 1/4T		
19	08-805138	1	CUFF, 1 1/4H X 1 1/2T GRY		
20	16-808229	1	HOLDER, VLV STEM-EXTRCTR VL		
21	43-810063	1	O-RING, .551 ID .691 OD		
22	16-808228	1	SEAT, EXTRCTR VLV		
23	16-808189	1	STEM, EXTRCTR VLV		
24	43-810064	1	BACK-UP, 250DIA		
25	43-810062	1	O-RING, .144 ID .254 OD		
26	16-808190	1	SPRING, EXTRCTR VLV		
27	00-000306	2	SCR, 6-32 X 1 SCHD SS		
28	17-803033	1	TIP, SPRY 80015X1/8P SST		
29	58-500638	1	CSTG, TRIGGER CLMP		
30	00-000307	2	SCR, CAP 6-32X3/8 SOCHD		
31	52-501623	1	VALVE, UPHLST TL		
32	52-501626	1	VALVE, ADJ-UPHLST TL VLV		
33	43-810016	1	O-RING, 5/32IDX9/32OD VIT		
34	43-807513	1	GASKET, UPHLST TL VLV		
35	10-805348	1	HOSE, 3/16X6-1/2 (1/8P BS)		
36	13-806030	1	DSC, 1/8MX1/8FP SST		
37	00-000408	1	SCR, SET 3-32 X 1/4 SOCHD		
-	48-941164	1	DECAL, UPHLST TL		NOT SHOWN
-	66-808169	1	KIT, REPAIR-WAND VLV		NOT SHOWN INCLUDES PARTS 20-22 & 24-26

SHELF ASSEMBLY-OPTIONAL



OVERALL DIMENSION:
 41-1/2" TALL
 50-1/8" WIDE
 57" WIDE (WITH TOOL HOLDERS)
 7-7/8" DEEP

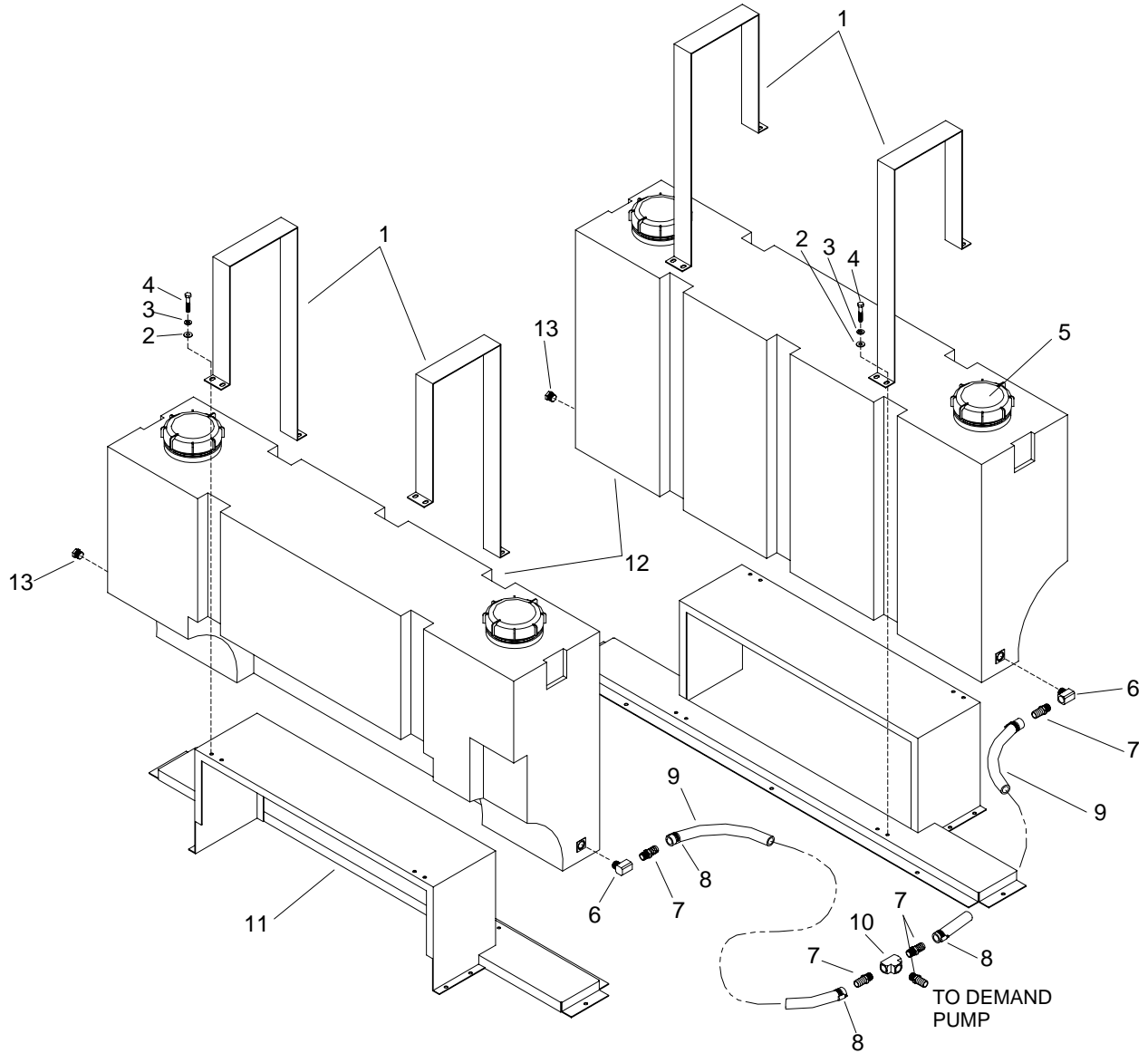
DIMENSIONAL DATA



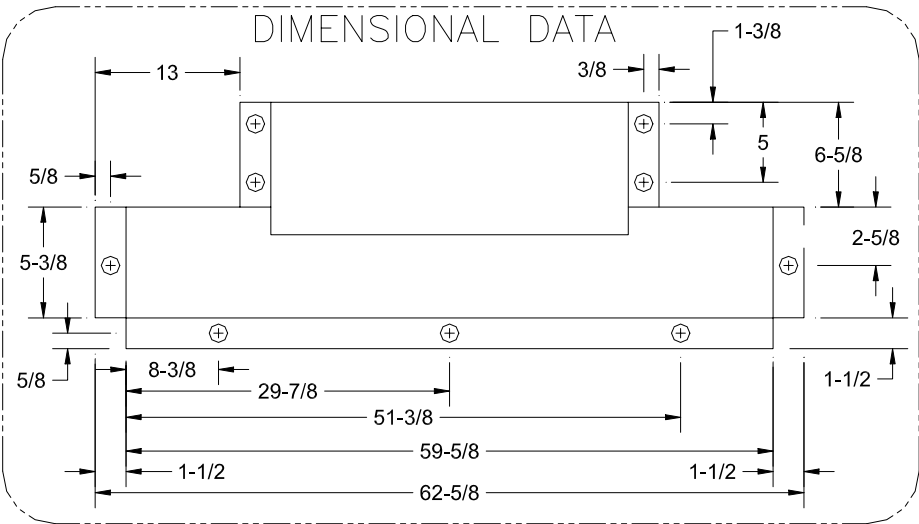
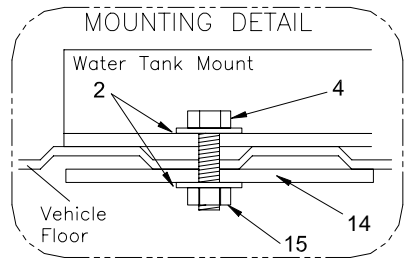
SHELF ASSEMBLY-OPTIONAL

REF	PART NO.	QTY	DESCRIPTION	SERIAL NO. FROM	NOTES:
-	65-950392	1	VAN STORAGE UNIT		COMPLETE
1	56-501921	1	SHELF, LWR		
2	02-000066		FLATWASHER, 1/4		
3	87162		WASHER, 1/4 SPLIT LOCK		
4	70721		SHOULDER BOLT, 182 OD X 2.25 L		
5	70270		SCR, 1/4-20 X 3/4 HHCS PLTD		
6	50-501840	1	BRKT, ADJUST MTG SLOT		
7	56-502067	1	BRKT, ADJUST MTF HLDR		
8	56-501942	1	BRKT, SHELF MOUNTING		
9	50-501753	1	HOLDER, STAIR TOOL		
10	01-000105		LOCK NUT, 1/4-20 HXHD		
11	56-501922	2	PANEL, SHLF END		
12	50-501749		WASHER, NYLON		
13	56-501920	1	DRAWER, SHELF GRAY		
14	46-802506	1	LATCH, ADJ GRIP		
15	50-501755	1	HOLDER, UP TO HOSE		
16	50-501754	1	HOLDER, UPHST TL		
17	48-941152	1	DECAL, PROCHEM		
-	66-945424	1	KIT, ADJ BRKT.		INCLUDES PARTS 6,7 & MOUNTING HARDWARE

WATER TANK, DUAL WITH DEMAND PUMP-OPTIONAL



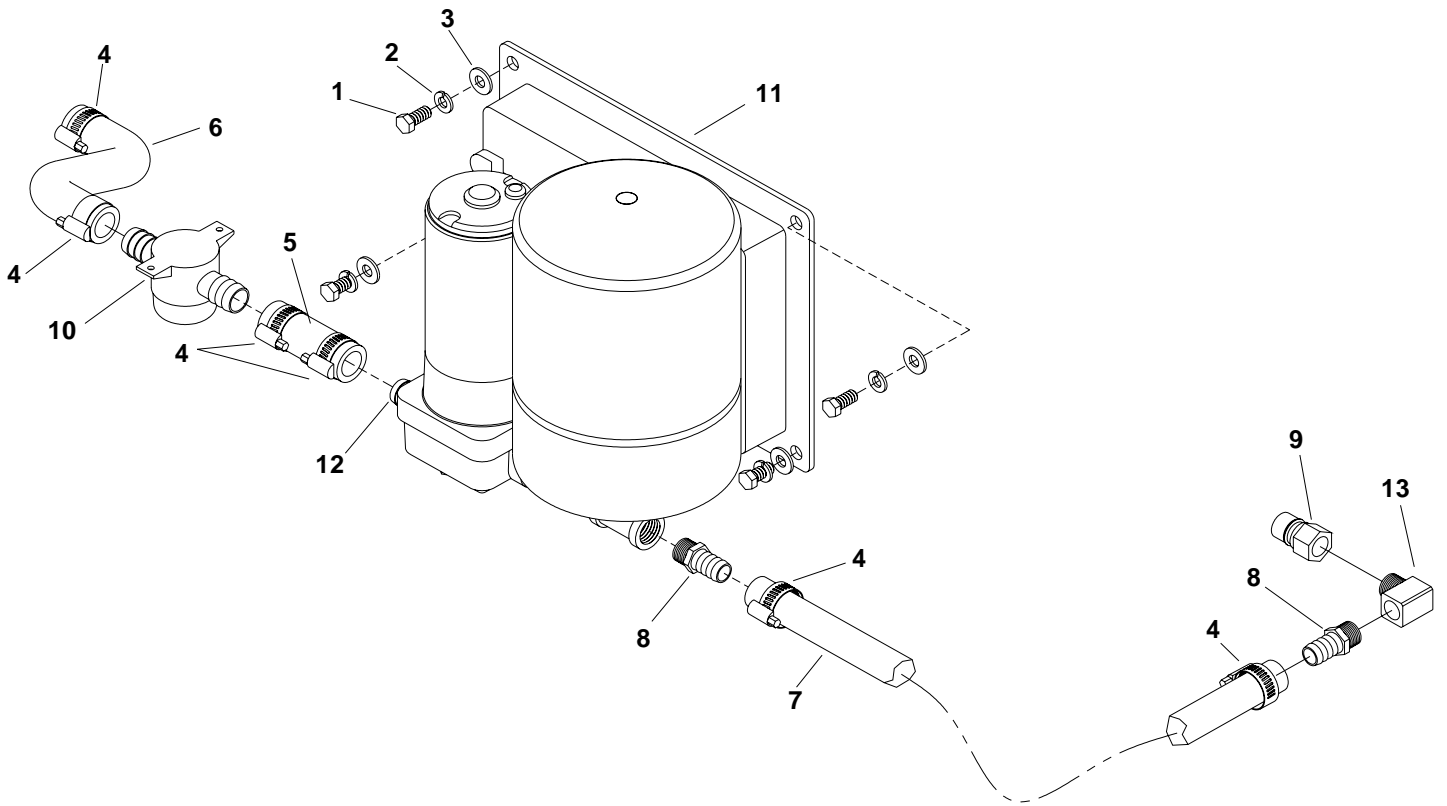
OVERALL DIMENSION:
 32-1/2" TALL
 62-5/8" WIDE
 15-1/2" DEEP



WATER TANK, DUAL WITH DEMAND PUMP-OPTIONAL

REF	PART NO.	QTY	DESCRIPTION	SERIAL NO. FROM	NOTES:
-	66-945260	-	TANK, DUAL SADDLE W/DMD PUMP		COMPLETE
-	66-945265	-	SINGLE SADDLE TANK W/DMND PMP		COMPLETE
1	50-501774	4	HOLD DOWN, SADDLE TANK GRAY		
2	87171	16	WASHER, 3/8 FLAT		
3	87163	16	WASHER 3/8 SPLIT LOCK		
4	00-000072	16	SCR, 3/8-16 X 2' HXHD		
5	11-800432	4	CAP, WATER BOX		
6	11-800041	2	ELL, STREET 1/2 BR		
7	12-800278	4	FTTG, BRB 1/2P X 3/4H BR		
8	03-000113	4	CLAMP, HOSE #12 SST		
9	09-805456	1	HOSE, WTR 3/4 X 96"		
10	11-800085	1	TEE, 1/2 BRASS		
11	56-502000	2	ASSY, BASE SADDLE TANK GRAY		
12	58-500661	2	MOLDING, WATER TANK		
13	11-800168	2	PLUG, 1/2 BRASS HXHD		
14	50-500511	1	PLATE, INSTALL MT		
15	57119	9	NUT, 3/8-16 HEX NYLOCK		
-	41458	1	SHLR, CHEM, 10-GAL JUG		NOT SHOWN

WATER TANK - DEMAND PUMP-OPTIONAL

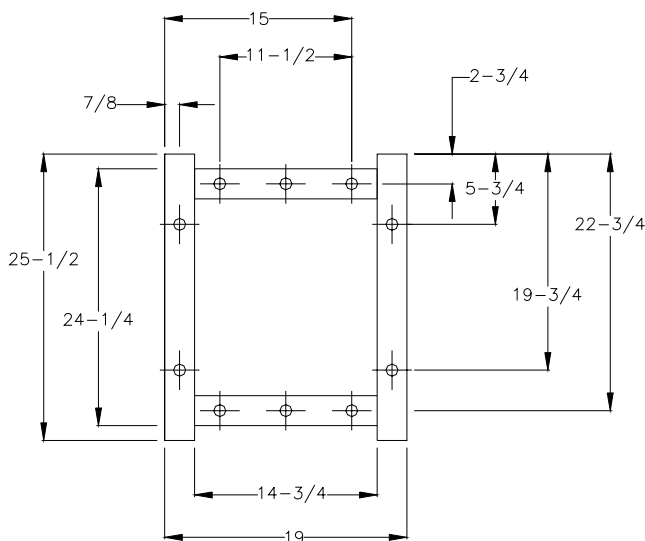
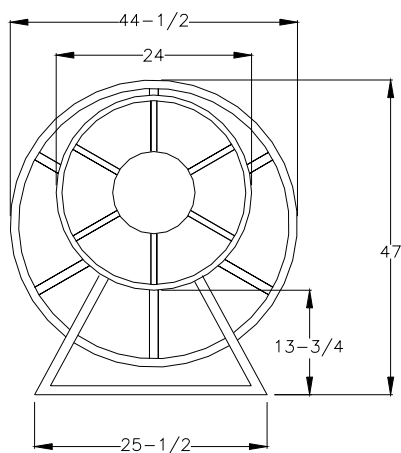


WATER TANK - DEMAND PUMP-OPTIONAL

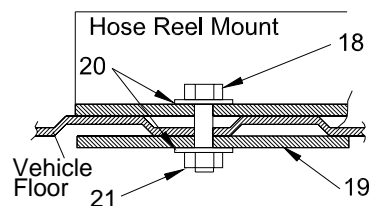
REF	PART NO.	QTY	DESCRIPTION	SERIAL NO. FROM	NOTES:
1	70305	4	SCR, 5/16-18 X 3/4 HHCS GR5 PL TDL		
2	87083	4	WASHER, 5/16 SPLIT LOCK PLTD		
3	02-000143	4	WASHER, 5/16 FLAT		
4	03-000113	6	CLAMP, HOSE #12 SST		
5	09-805278	1	HOSE, WATER 3/4 X 3"		
6	09-805357	1	HOSE, WATER .75 X 5.5		
7	09-805446	1	HOSE, WATER 5/8 X 55		
8	12-800345	1	FTTG, BRB 3/8P X 5/8H BR		
9	13-806009	1	DISCONNECT, 3/8M X 3/8FP		
10	14-806553	1	FILTER, DEMAND PUMP		
11	41-905049	1	PUMP, WATER BOOSTER FLOJET 2		
12	48-809423	1	KIT, PORT		
13	11-800275	1	ELBOW, ST 3/8 BR		
14	65240	1	PUMP ONLY, TM DEMAND		NOT SHOWN
15	47449	1	KIT SERVICE DEMAND PMP FJ		NOT SHOWN

HOSE REEL-OPTIONAL

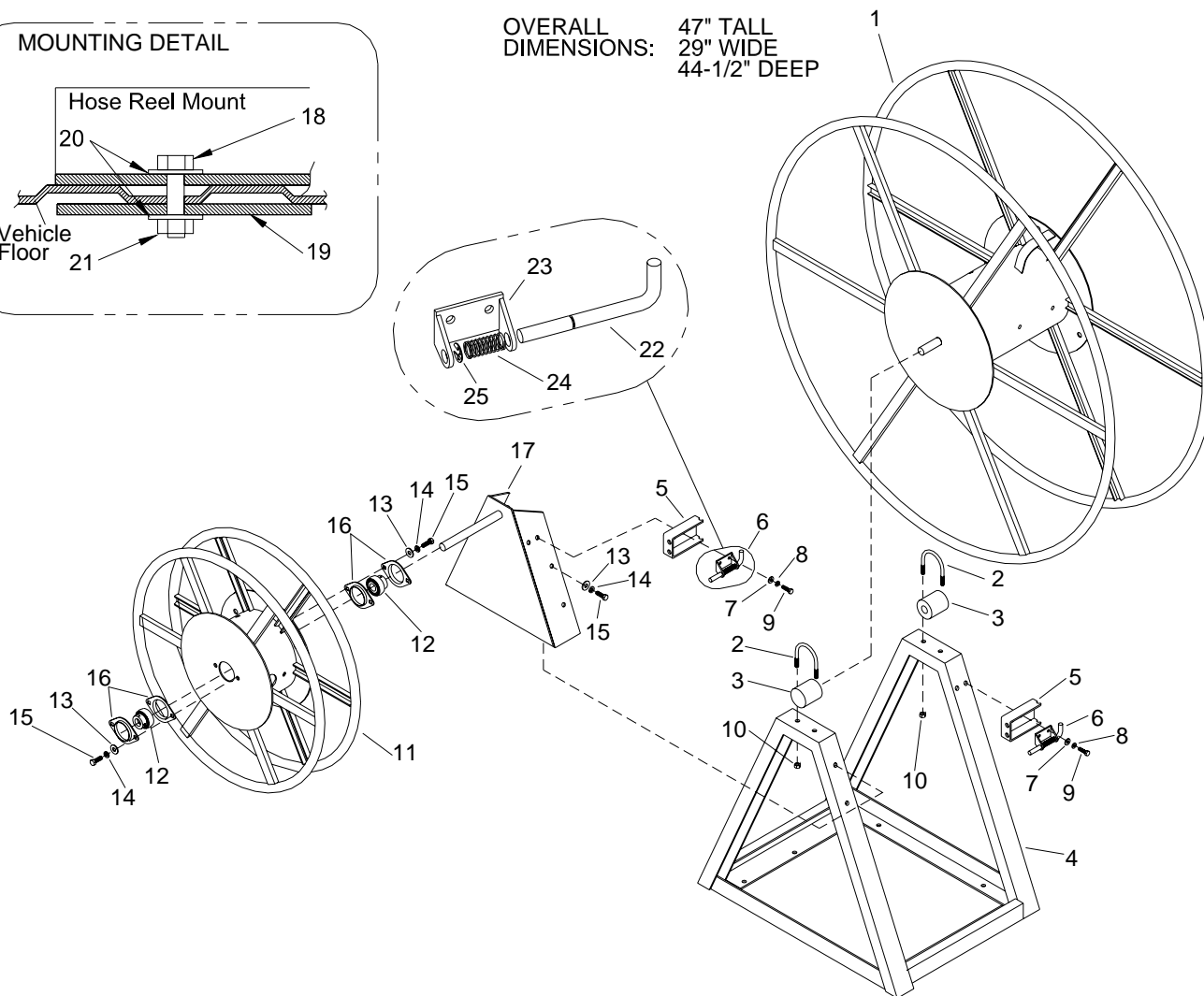
DIMENSIONAL DATA



MOUNTING DETAIL



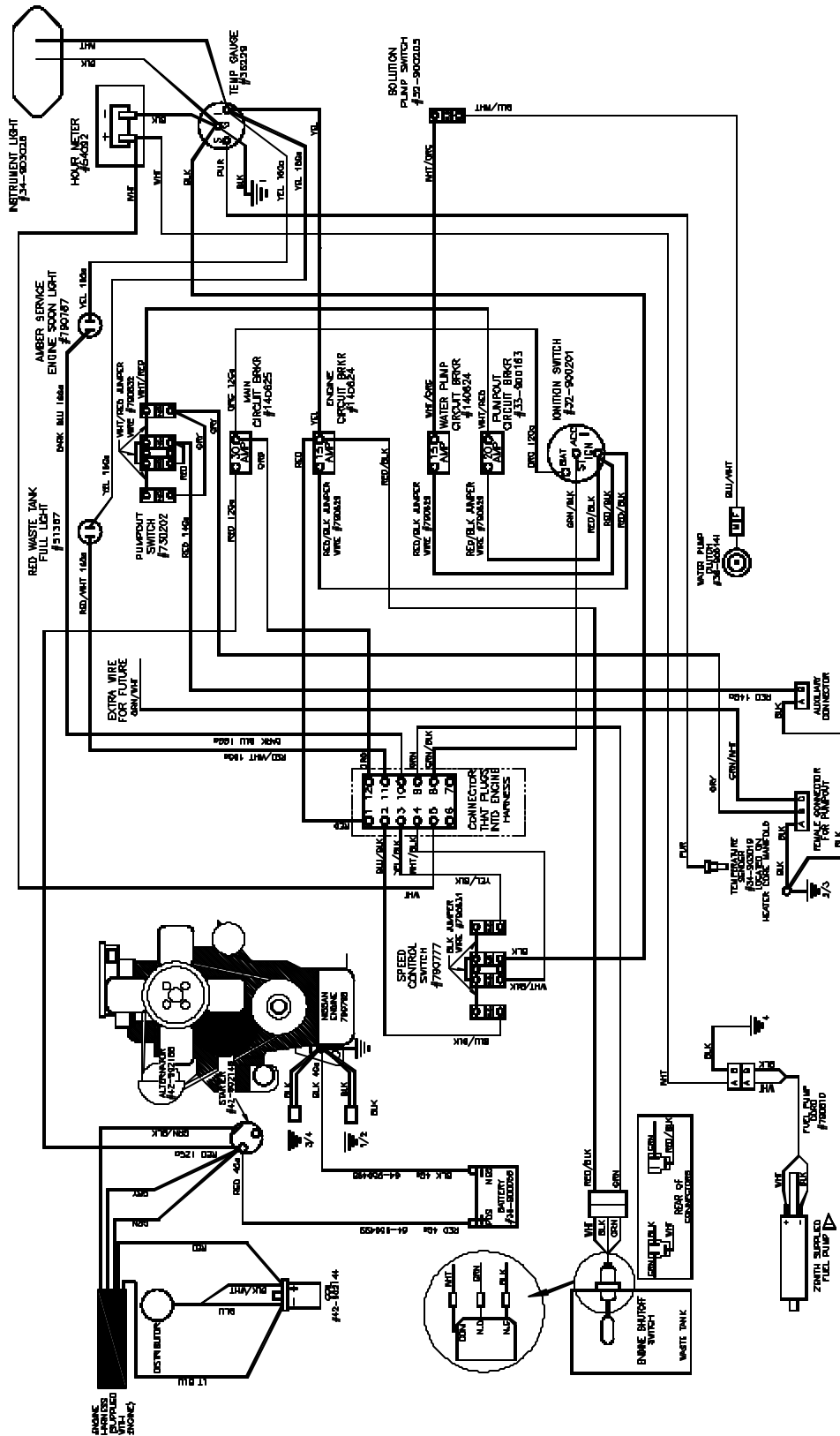
OVERALL DIMENSIONS: 47" TALL
29" WIDE
44-1/2" DEEP



HOSE REEL-OPTIONAL

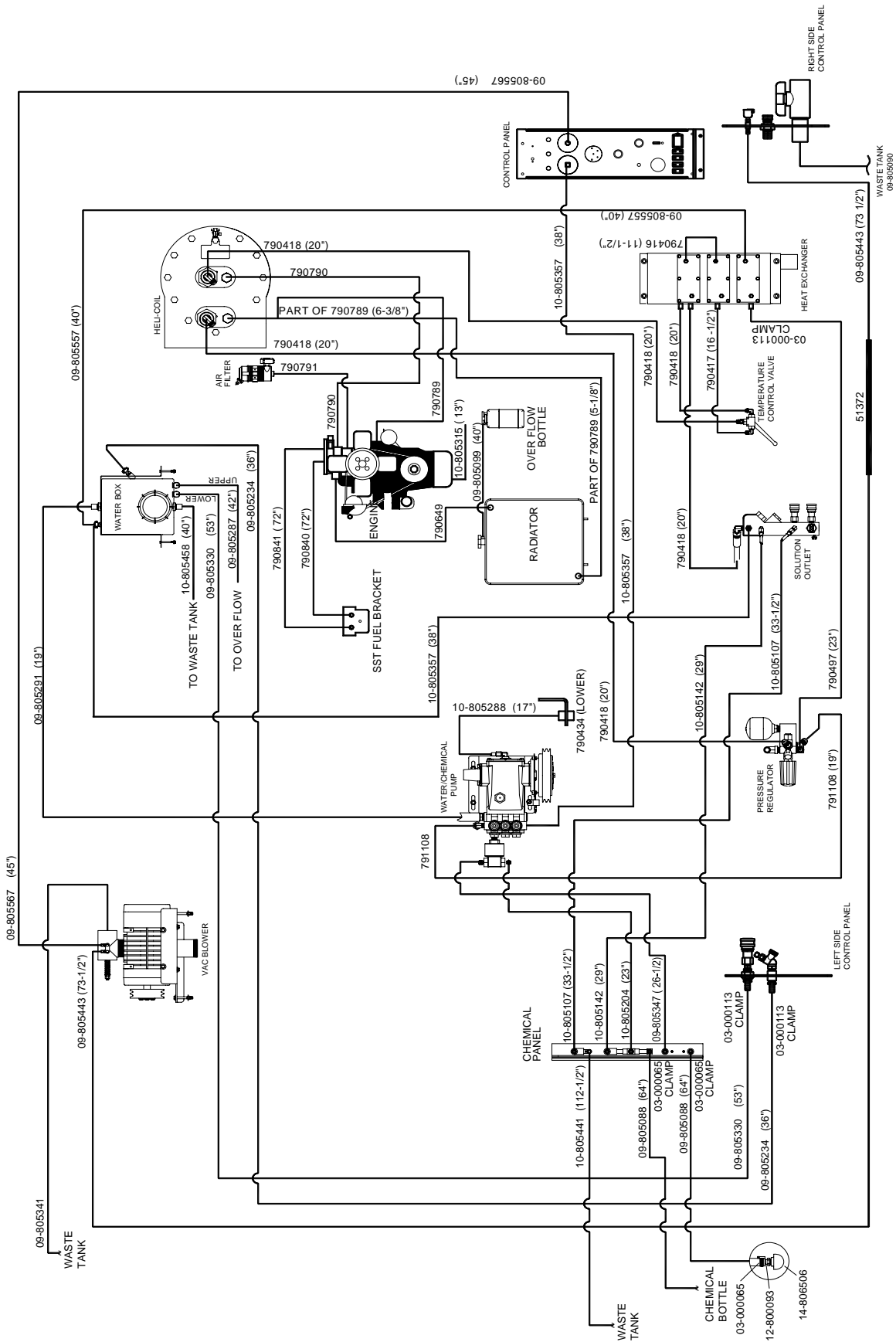
REF	PART NO.	QTY	DESCRIPTION	SERIAL NO. FROM	NOTES:
1	56-501962	1	REEL, VACUUM HOSE GRAY		
2	03-000124	2	CLAMP, MFLR 1-3/4		
3	52-501685	2	BUSHING, HOSE REEL		
4	56-501960	1	BASE, HOSE RL (250')		
5	56-502207	1	BRKT, LOCKOUT HOSE REEL		
6	61-950854	1	LATCH ASSEMBLY		
7	02-000066	2	FLATWASHER, 1/4		
8	87162	2	WASHER, 1/4 SLPIT LOCK		
9	70270	2	SCR, 1/4-20 X 3/4 HHCS PLTD		
10	57031	2	NUT, 5/16-18 HEX		
11	56-501968	1	REEL, HP HOSE GRAY		
12	45-802138	2	BEARING HOSE REEL		
13	02-000143	4	FLATWASHER, 5/16		
14	87083	4	WASHER, 5/16 SPLIT LOCK PLTD		
15	70302	4	SCR, 5/16-18 X 1" HHCSGR5PLT		
16	44-802122	4	FLANGE, 47MST		
17	56-501961	1	BODY, HP HOSE GRAY		
18	00-000072	10	SCR, 3/8-16 X 2" HXHD		
19	50-500511	1	PLATE, INSTALL MT		
20	87171	10	WASHER, 3/8 FLAT		
21	57119	10	NUT, 3/8-16 HEX NYLOCK		
22	55-501789	1	PIN, LOCK HOSE REEL		
23	50-501812	1	BRKT, HOSE REEL LOCK		
24	04-000302	1	SPRING, LOCK-LOCK PIN ASSY		
25	04-000303	1	CLIP, RETAINER-LOCK PIN ASSY		

WIRING SCHEMATIC

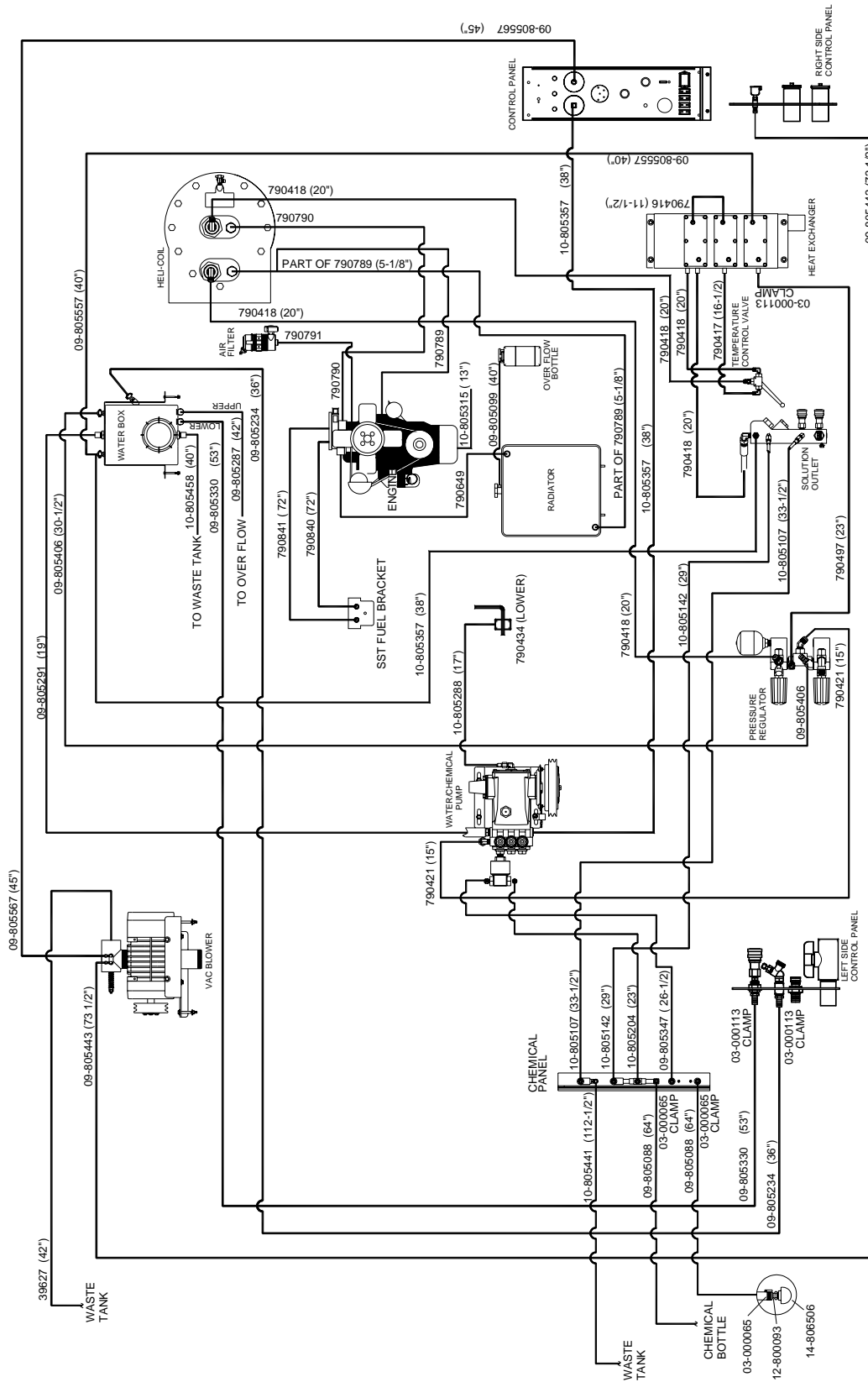


▶ DO NOT GROUND FUEL PUMP TO MOUNTING BOX OR CHASSIS OF VAN. USE SUPPLIED FUEL PUMP CORD ONLY.

HOSE DIAGRAM-PP



HOSE DIAGRAM-PPHP





New Truck Mount Machine Warranty

Limited Warranty

PROCHEM warrants new machines against defects in material and workmanship under normal use and service to the original purchaser. Any statutory implied warranties, including any warranty of merchantability or fitness for a particular purpose, are expressly limited to the duration of this written warranty. *PROCHEM* will not be liable for any other damages, including but not limited to indirect or special consequential damages arising out of or in connection with the furnishing, performance, use or inability to use the machine. This remedy shall be the exclusive remedy of the buyer. The warranty period is subject to the conditions stated below.

Any local or distant transportation, related service labor, normal maintenance, and diagnostic calls are not included.

Parts replaced or repaired under this warranty are guaranteed for the remainder of the original warranty period or 90 days.

Component	Coverage Responsibility	Length of Warranty
Gasoline Engine*	Engine Dependant: Briggs & Stratton – 1-800-233-3723 Nissan – Contact Customer Care Kohler – 1-800-655-4356	1 year
Vacuum Pump	Gardner Denver – 1-800-982-3009	18 months
Heat Exchanger	PROCHEM	1 year
Water Pump	PROCHEM	2 years
Waste Pump	PROCHEM	1 year
Wands(except shut off valve and jets)	PROCHEM	1 year
Waste and Water Tanks	PROCHEM	1 year
Pressure Regulator	PROCHEM	1 year
All other component not excluded	PROCHEM	1 year
Battery*	Pro-rated through battery manufacturer's local dealer. 800-423-6569	1 year

* When applicable

Product exceptions and Exclusions:

- Normal wear items and maintenance items including but not limited to disposable filters, any fluids, electrical components, belts, pulleys, bearings, fittings, hoses, o-rings, seals, gaskets, diaphragms, engine tune up components, wand shut off valve, and jets are covered, **parts only**, for 90 days.
- **NOTE:** Engine warranty is administered through the engine manufacturer and must be repaired at an authorized service center.

This Warranty Shall Not Apply To:

1. Any product that has been subject to abuse, misuse, neglect or unauthorized alteration (including the use of incompatible or corrosive chemicals or overloading of capacity).
2. Products that have experienced shipping or freight damage.
3. Repairs necessary to correct any failure due to improper pre-delivery service and inspection by the selling dealer.
4. Time for cleaning units in preparation for repair.
5. Any repairs resulting from poor initial service work or improper diagnosis.
6. Any design alterations performed by an organization not authorized or specified by PROCHEM.
7. A unit which is improperly repaired.
8. Damage due to hard water scaling.
9. Exposure to freezing temperature conditions.
10. Electrical components exposed to moisture.

The warranty commences on the purchase date by the original end user from an authorized *PROCHEM* agent, subject to proof of purchase. **The warranty is non transferable and is intended for the original purchaser only.** The Machine Registration Card must be completed and returned within 10 day of the time of purchase. If proof of purchase cannot be identified, the warranty start date is 90 days after the date of sale to an authorized *PROCHEM* distributor.

If difficulty develops during the warranty period, contact the authorized *PROCHEM* agent from whom the product was purchased. *PROCHEM* may elect to require the return of components to validate a claim. Any defective part to be returned must be shipped **freight prepaid** to an authorized *PROCHEM* Distributor/Service Center or to the *PROCHEM* factory.

Use Of Parts Not Approved By PROCHEM Will Void All Warranties.

PROCHEM reserves the right to change its warranty policy without notice

PROCHEM. ? a Castle Rock Industries company ? 1351 W. Stanford Ave. ? (303) 762-1800 ? 800-444-7654 ? FAX (303) 865-2800